

SECTION 3
LABELING INFORMATION

FCC ID: KE3PPT101

PRODUCT LABELING (MOST DEVICES)

Figure 1. FCC ID Label

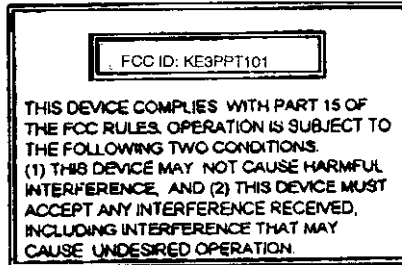


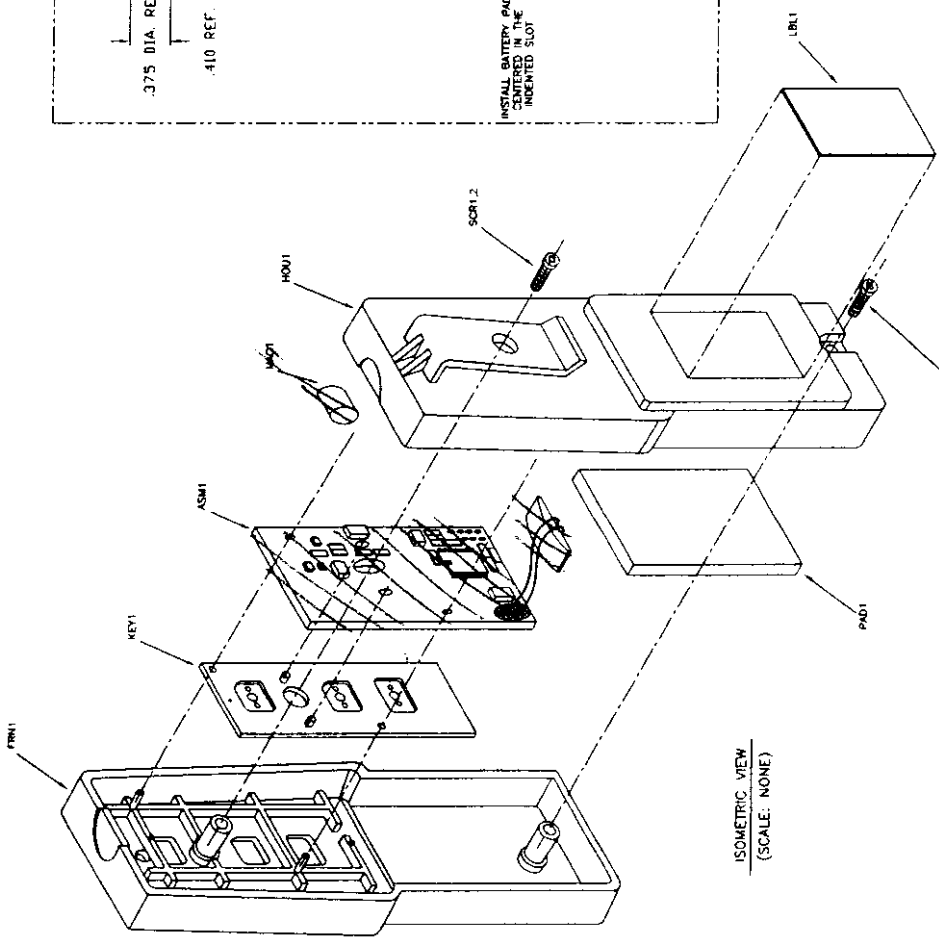
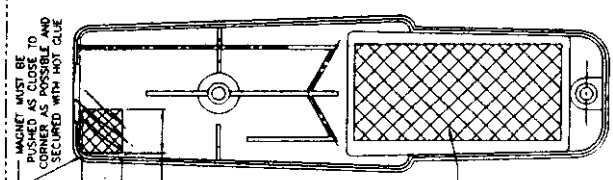
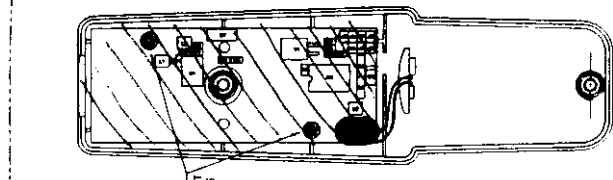
Figure 2. Location of Label on EUT

Actual size of label is _____ by _____ and will be placed
on BACK SIDE of product.

**** NOTE: If assembly drawings are available that show the placement of the label on the product, please provide a copy of these to US Tech.**

REVISIONS

| REV | DATE | DESCRIPTION |
|-----|---------|-------------------------|
| A | 7-15-97 | RELEASED FOR PRODUCTION |



NOTE:
TIGHTEN SCREWS WITH A TORQUE OF 8 TO 10 FT-LBS.

CONFIDENTIAL

| | | | |
|--------------------------------|--------------------|---------------------|---------|
| TITLE: DWG., ASSEMBLY, 300-061 | | DRG NO. 800-068 | |
| SIZE C | FILE NAME | UNIT | SCALE |
| | REMOASSY T. FARLEY | INCHES | 2:1 |
| | | COLOR: | DF 1 |
| | | | 9-16-96 |
| TOLERANCE: XX ± .010 | | APPROVAL: J.C. Fyfe | |
| XXX ± .005 | | DATE: 8/19/97 | |

RADIO SYSTEMS CORPORATION