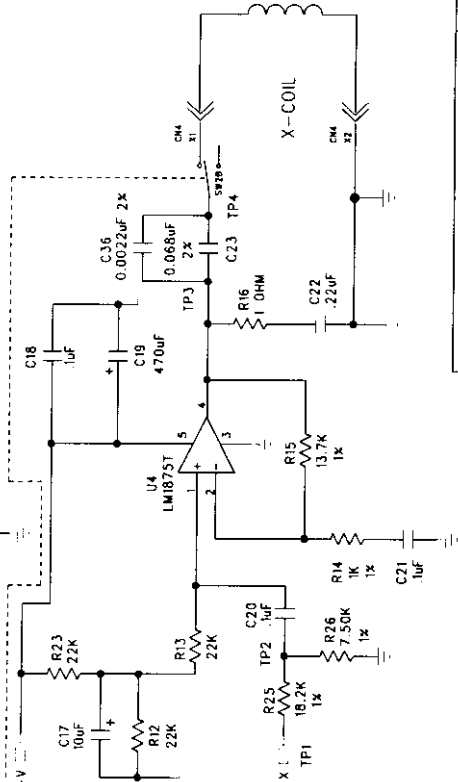
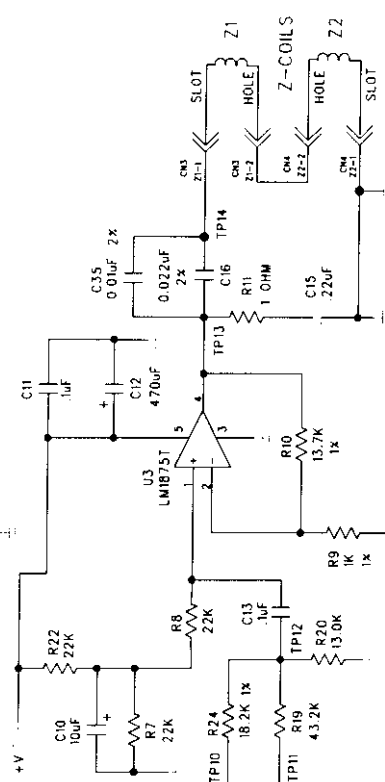
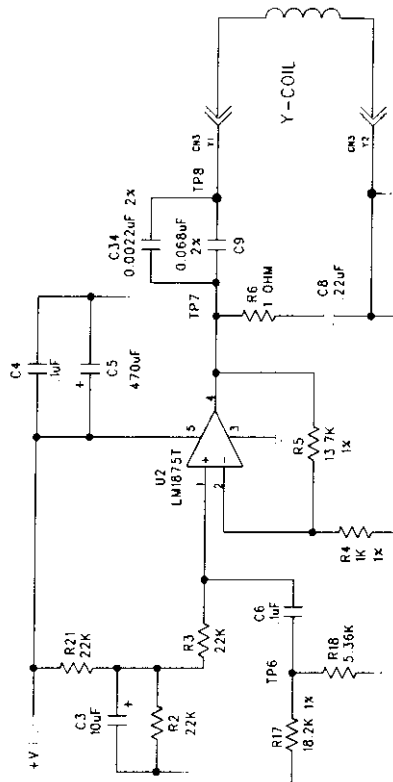
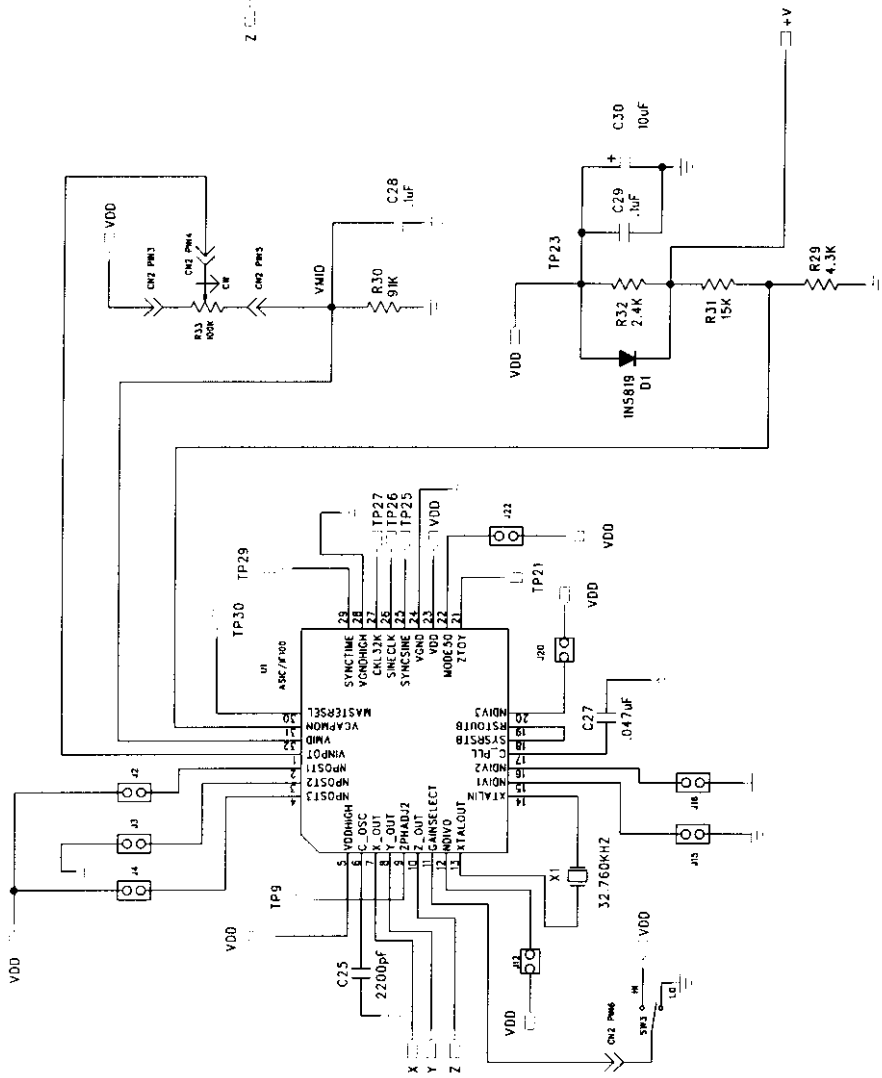
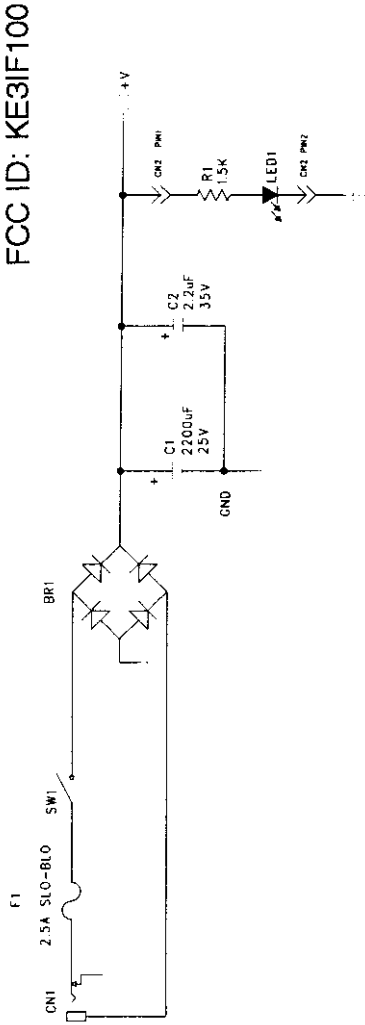


## SECTION 4

### BLOCK DIAGRAM(S)/SCHEMATICS



RADIO SYSTEMS CORPORATION		A	
TITLE: INSTA-FENCE TRANSMITTER			
DRAWN: RES	DATE: 07/23/94	DRAWING #	SCHM-IF-100
CHKD: RES	DATE:	FILENAME:	IF100RA SCH
		REV: A	SHEET 1 OF 1

