

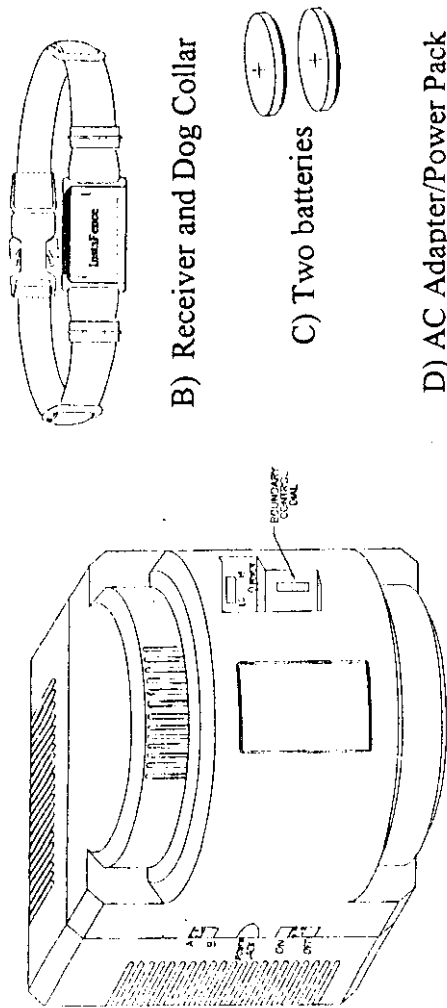
SECTION 6
USER'S MANUAL

SECTION 6
USER'S MANUAL

InstaFence™ 8-Step Installation Guide

STEP 1: IDENTIFY COMPONENTS OF KIT

Make sure your InstaFence Kit includes the following items:



A) Transmitter

B) Receiver and Dog Collar

C) Two batteries

D) AC Adapter/Power Pack

E) Boundary Flags

F) Training Manual

G) Installation Guide

STEP 3: MAP LOCATION OF TRANSMITTER & BOUNDARY

To determine the approximate placement of the transmitter and the approximate boundary that will be produced by the transmitter refer to figure 01 and complete the following:

- ▶ Draw a sketch of your property that includes the lot line, the dimensions of your lot and your house. If one is available use the survey map of your lot.
- ▶ Draw an approximate circle around the area in which you want to confine your pet. The actual size of this circle can be up to a 90-foot radius.
- ▶ When drawing this circle realize the transmitter must be positioned in the center of circle, must be located in the house or other indoor area (e.g., garage) and must near an AC outlet.

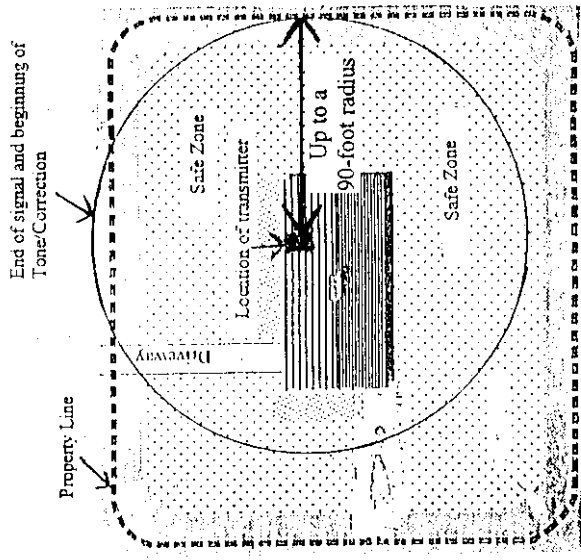


Figure 01

STEP 2: UNDERSTANDING WHAT EACH COMPONENT DOES

Transmitter - This transmits an adjustable signal that is emitted in a **SOMEWHAT CIRCULAR PATTERN**. The outer edge of this pattern is the end of the boundary in which your pet will be confined.

Receiver and Dog Collar - Your pet wears this on his neck so that the two metal probes are touching his throat area. When your pet gets near the edge of boundary he receives an audible warning tone that last approximately two seconds. This is then followed by a mild correction if he stays near the edge of the boundary or attempts to leave the boundary.

AC Adapter/Power Pack - This supplies the power to the transmitter. Plug into the transmitter and a household electrical outlet.

Boundary Flags - These are placed at the edge of the boundary, where the pet will receive first receive the warning tone, during the initial training process. They serve to help your pet understand where the boundary ends.

Training Manual, Installation Guide and Video - These outline the proper way to install and operate the InstaFence and the best methods to train your pet to stay within the boundary.

STEP 4: PREVENT POTENTIAL INTERFERENCE OF SIGNAL

When choosing a location for the transmitter, keep the following in mind:

- ▶ It should be on the ground floor of your home.
- ▶ It should be in close proximity to a grounded, non-switched, 110-volt AC.
- ▶ It should be in an indoor area that is clean, dry, and protected.
- ▶ Avoid locating it too close to any metal objects or objects with "heavy wiring", including:
 - Main water lines
 - Main power lines
 - Hot water heaters
 - Kitchen and Laundry Appliances
 - Fireplace
 - Heating or air-conditioning ducts

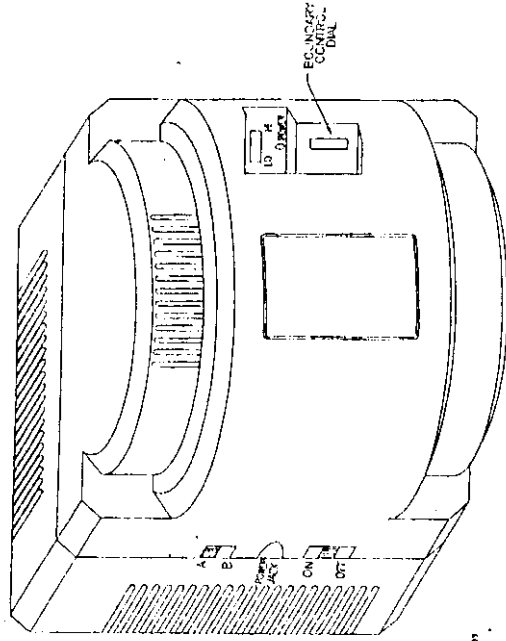
▶ It transmits a signal in a circular pattern up to a 90-foot radius.

STEP 5: TURN ON THE TRANSMITTER

Once you have selected the location of the transmitter, complete the following:

- ▶ Plug one end of the AC Adapter/Power Pack into an AC outlet and the other end into the transmitter.
- ▶ Be sure to check the following settings:
 - The range "Hi-Lo" must be in the "Hi" position.
 - The mode switch should be in the "A" position.
- ▶ Turn the power switch to "On". A red light will glow.

INSTA-FENCE TRANSMITTER

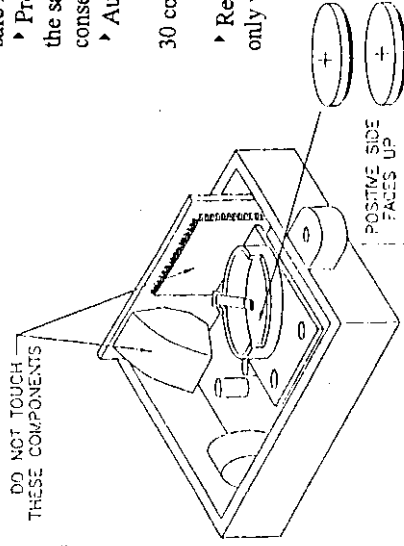


STEP 6: ACTIVATING RECEIVER & HOW IT WORKS

Activate the receiver by completing the following and referring to figure 02:

- ▶ Open the lid and install the two batteries with "the positive side" up.
- ▶ Close the lid.

- When an activated receiver nears the edge of the safe zone, it will:
- ▶ Sound a warning beep that will last for 2 seconds.
 - ▶ Produce an electronic correction if:
 - The warning stops and it is still in the area that produced the warning, or
 - At any time, it completely leaves the safe zone.
 - ▶ Produce a constant correction until it returns to the safe zone or until it has corrected for 30 consecutive seconds.
 - ▶ Automatically turn-off the correction if:
 - It remains outside the safe zone for 30 consecutive seconds, or
 - It returns to the safe zone.
 - ▶ Re-activate itself, after the automatic shut-off, only when it returns to the safe zone.



STEP 7: TEST ACTIVE BOUNDARY & SET BOUNDARY FLAGS

To test where the safe zone ends:

- ▶ Turn the transmitter on. Set to "low" if zone is less than a 20-foot radius and to "high" if more than a 20-foot radius.
- ▶ Turn the boundary control dial to its highest position (e.g., full clockwise position).
- ▶ Activate the receiver.
- ▶ Hold the receiver in the palm of your hand and in the following manner:
 - Receiver case parallel to the ground
 - The word "front" is pointing out from your body.
 - The metal probes are facing up (do not touch metal probes)
- ▶ With receiver in your hand, walk towards the most critical boundary point (e.g., the street).
- ▶ Listen for the warning beep.
- ▶ If beep is heard in the wrong area, adjust the boundary control dial and test again. (Be sure that you turn the dial very slowly and in small decrements.)
- ▶ Once the boundary is set properly, at most critical point, check the rest of the boundary.

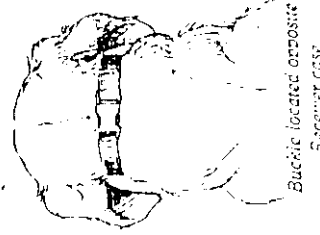
Once you are satisfied with the boundary, place the boundary flags where the warning is first heard. The flags should be placed at 10-foot intervals along the entire edge of the boundary.

STEP 8: FIT COLLAR ON PET & PREPARE FOR TRAINING



Collar posts snug at dogs throat.

Figure 03 and 04



Buckie located opposite Receiver Case.

To properly fit the collar/receiver on your pet:

- ▶ Refer to figures 03 and 04.
- ▶ Place it on your pet so that the contact probes rest against pet's throat.
- ▶ Be sure the word "front", on the receiver, is facing towards your pet's jaw.
- ▶ Adjust the collar so that the contact probes are snug against your pet's throat, but loose enough so you can easily place one finger between the probes and pet's throat.
- ▶ Once you have determined proper fit, remove collar from pet and cut off any excess.

BEFORE REPLACING COLLAR ON YOUR PET AND BEFORE BEGINNING ANY TRAINING. READ THE ENCLOSED TRAINING GUIDE.

CLASS B LABELING INFORMATION

INFORMATION TO USER

NOTE:

This equipment has been tested and found to comply with the limits for a Class B digital device, pursuant to Part 15 of the FCC Rules. These limits are designed to provide reasonable protection against harmful interference when the equipment is operated in a residential environment. This equipment generates, uses, and can radiate radio frequency energy and, if not installed and used in accordance with the instruction manual, may cause harmful interference to radio communications. However, there is no guarantee that interference will not occur in a particular installation. If this equipment does cause harmful interference to radio or television reception, which can be determined by turning the equipment off and on, the user is encouraged to try to correct the interference by one or more of the following measures:

- Reorient or relocate the receiving antenna.
- Increase the separation between the equipment and receiver.
- Connect the equipment into an outlet on a circuit different from that to which the receiver is connected.
- Consult the dealer or an experienced radio/TV technician for help.

NOTICE:

Changes or modifications not expressly approved by the party responsible for compliance could void the user's authority to operate the equipment.