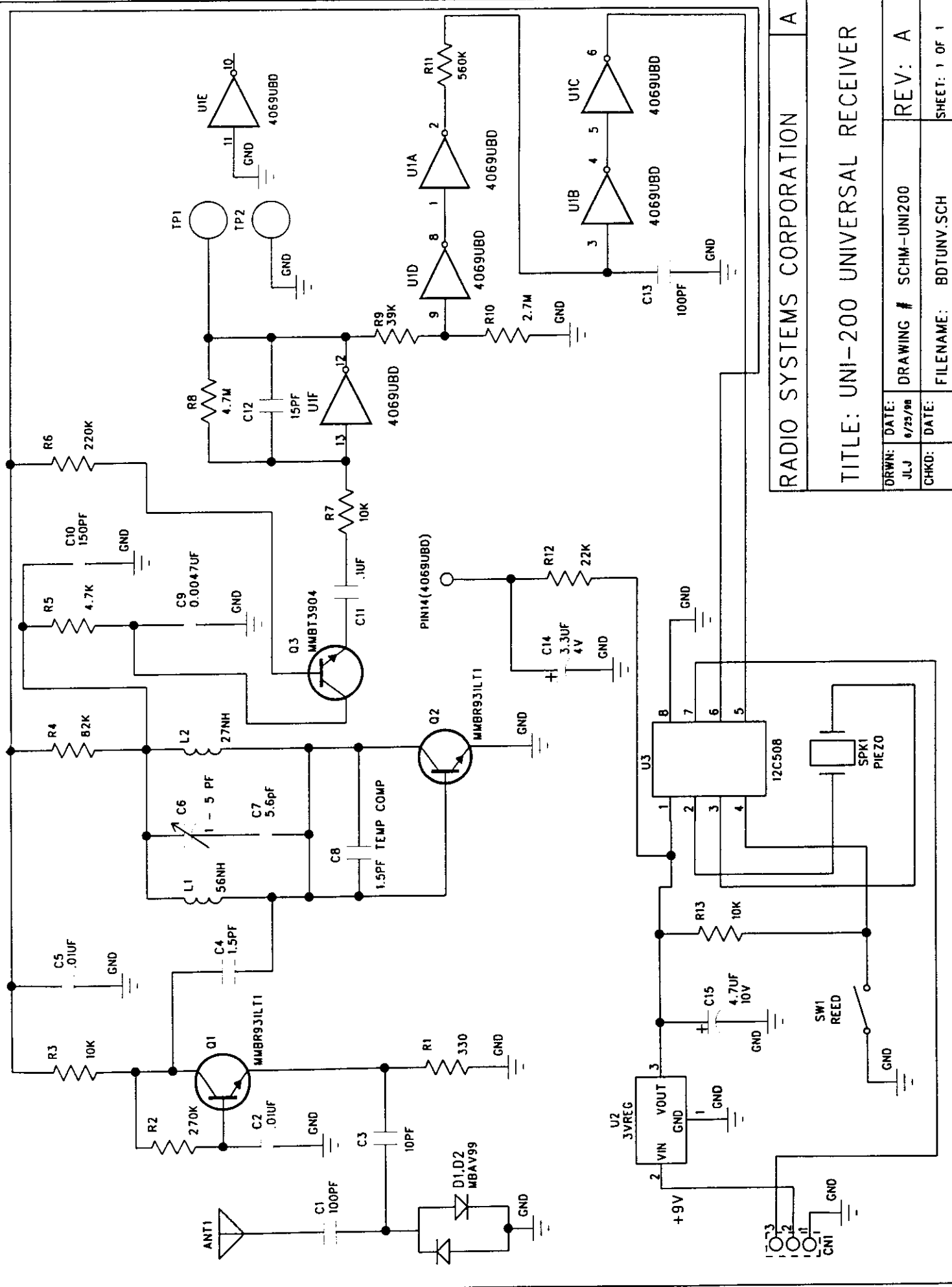
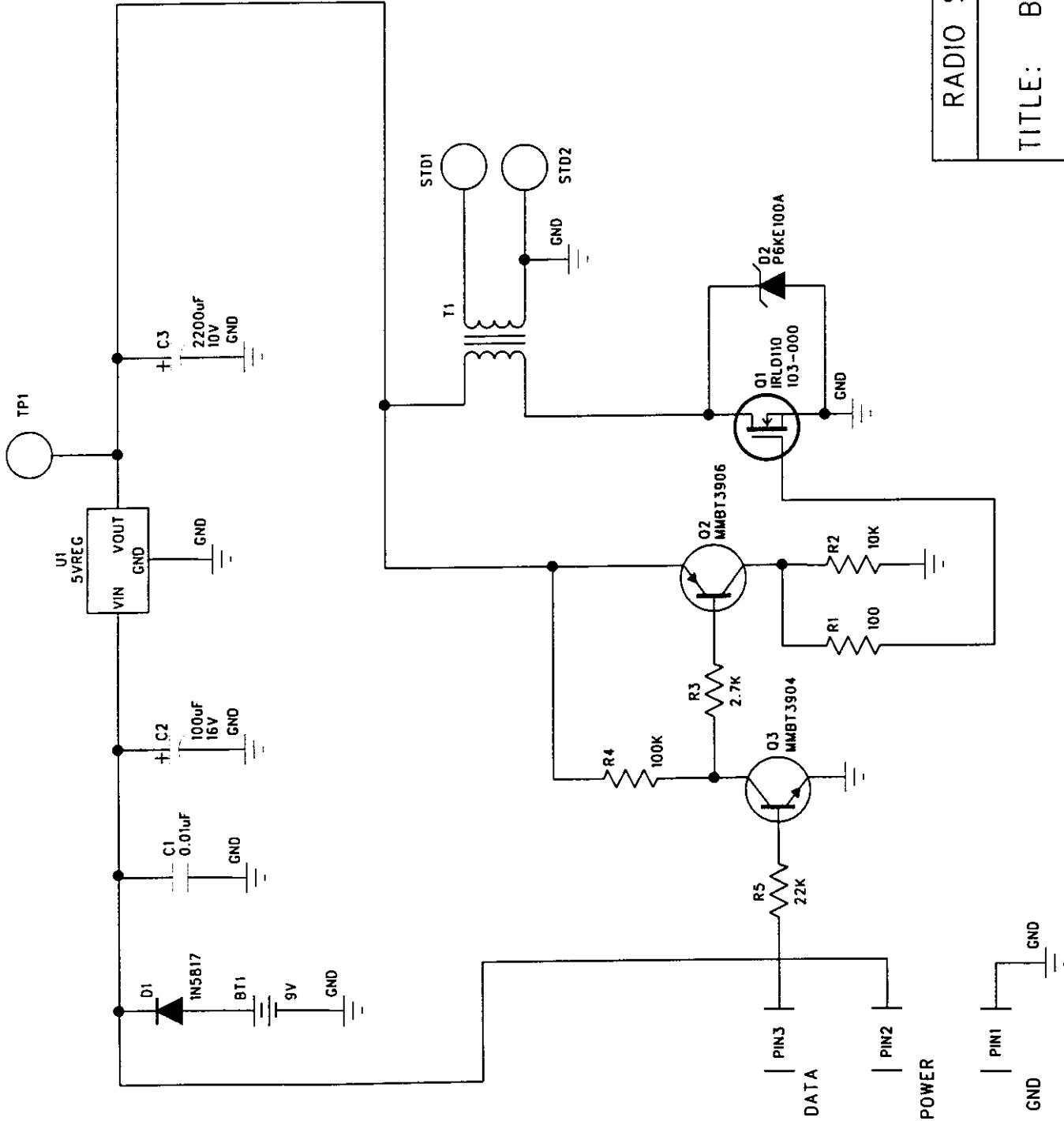


4 BLOCK DIAGRAM(S)/SCHEMATICS



RADIO SYSTEMS CORPORATION		A	
TITLE: UNI-200 UNIVERSAL RECEIVER			
DRWN: JLJ	DATE: 6/25/88	DRAWING #	SCHM-UNI200
CHKD:	DATE:	FILENAME:	BDTUNV.SCH
		REV:	A
		SHEET:	1 OF 1



RADIO SYSTEMS CORPORATION		A
TITLE: BDT-200 SHOCK BOARD		
DRWN: JLJ	DATE: 5/7/98	DRAWING # SCHM-SM205SHK
CHKD:	DATE:	REV: A
FILENAME: BDTSHK.SCH		SHEET: 1 OF 1