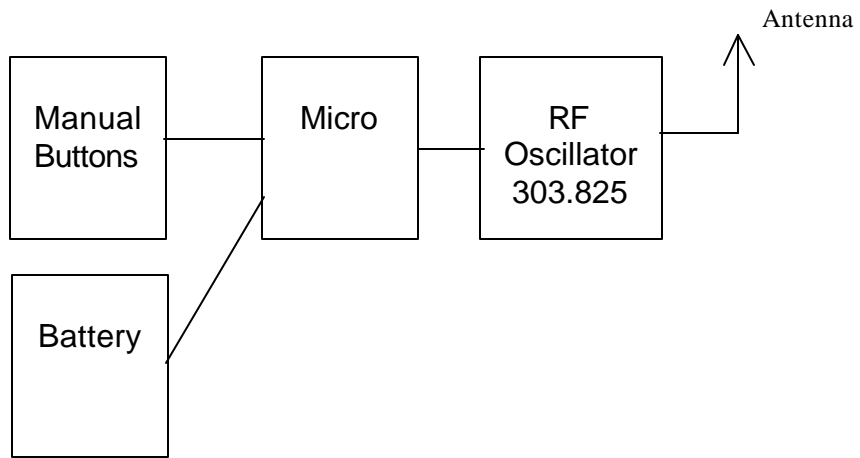


SECTION 4

BLOCK DIAGRAM(S)/SCHEMATICS



BLOCK DIAGRAM