



**Get Started!**

**FPO**

# ScoopFree® Crystal Pro

## Self-Cleaning Litter Box

### Before we start:

As you set up your new litter box, keep in mind:

#### Some cats need time to adjust

While many cats take to their new and improved litter box right away, others take a little longer. Here are some tips to help you get off to a good start:

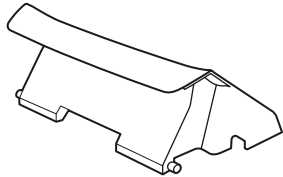
- Place the new litter box next to your cat's current litter box (trust us, you'll be able to get rid of the old one soon).
- Add a few handfuls of your cat's old litter to the crystal litter tray. You can also sprinkle a little crystal litter into your cat's old litter box.
- Let the old litter box get dirty. Most cats prefer a clean litter box and will soon be drawn to the fresh crystal litter.
- Although the ScoopFree® Crystal Pro Self-Cleaning Litter Box is quiet when running and only runs after use, in some cases it's a good idea to leave the new litter box unplugged until your kitty gets the hang of it.

#### Your kitten needs special care

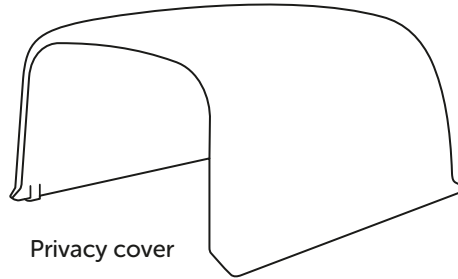
**Important:** If you have a kitten, leave the litter box unplugged and scoop waste manually until she is at least 6 months old. You may want to place a box or step next to the litter box to make it easier for your kitten to get in and out.

## No scooping, more snuggling.

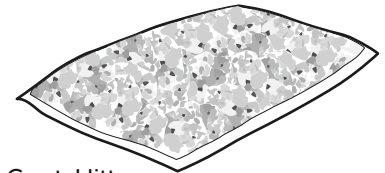
## What you have:



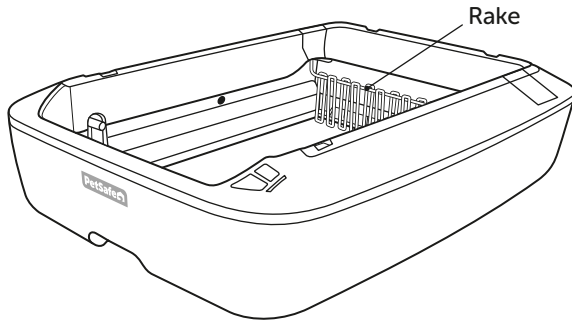
Waste trap cover



Privacy cover

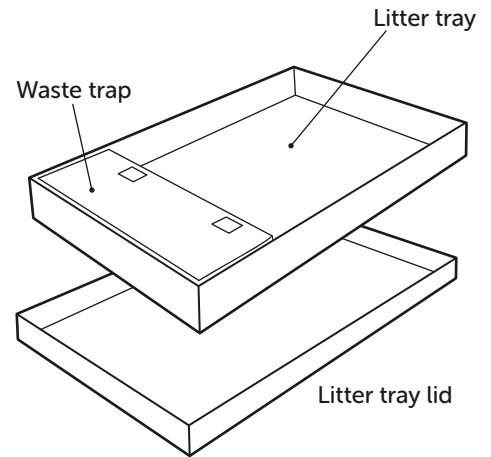


Crystal litter



Litter box frame

Rake



Waste trap

Litter tray

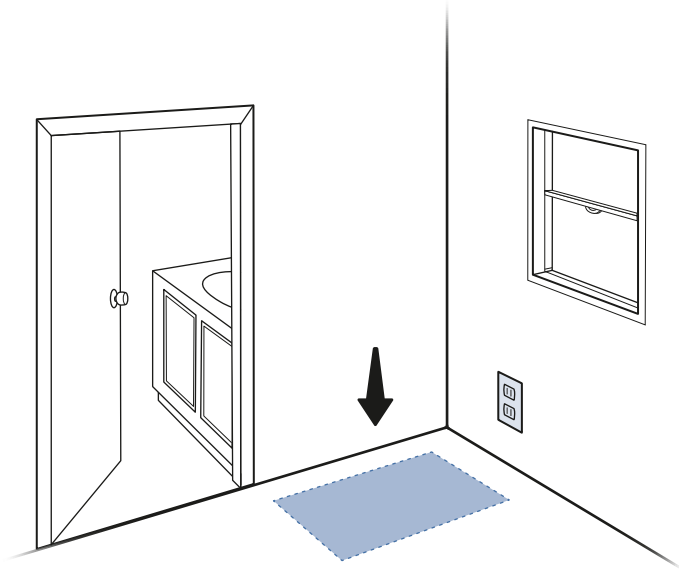
Litter tray lid



Power adaptor

# Set up your new litter box

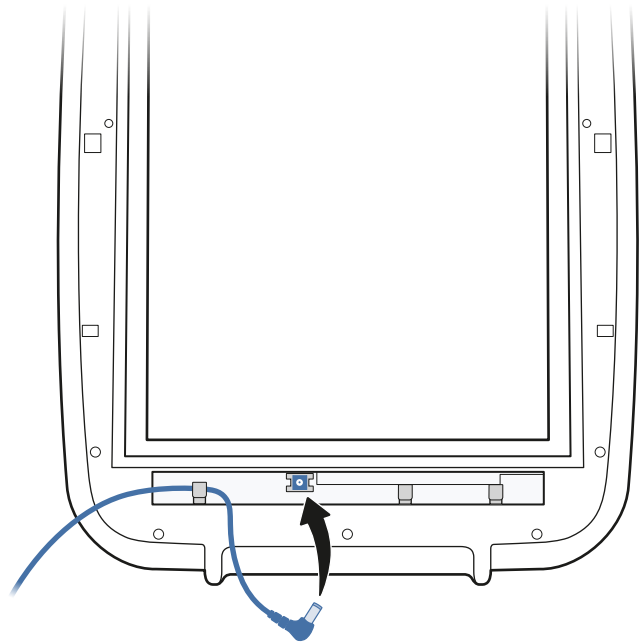
1



Select a good location for the litter box, near an electrical outlet.

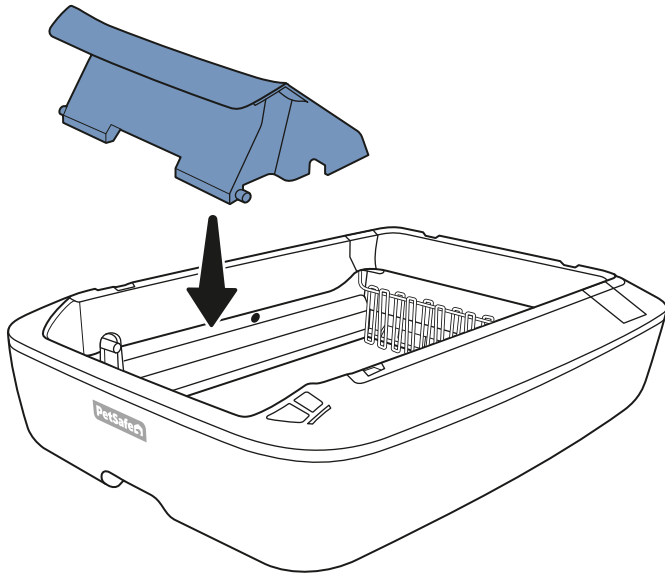
For maximum tray life and odor control, place the litter box in a dry area with good air flow (not in a bathroom or basement). Crystal litter controls odor by absorbing liquid from your cat's waste. Excess humidity in the air can cause the litter to become saturated more quickly, shortening the life of the litter tray.

2



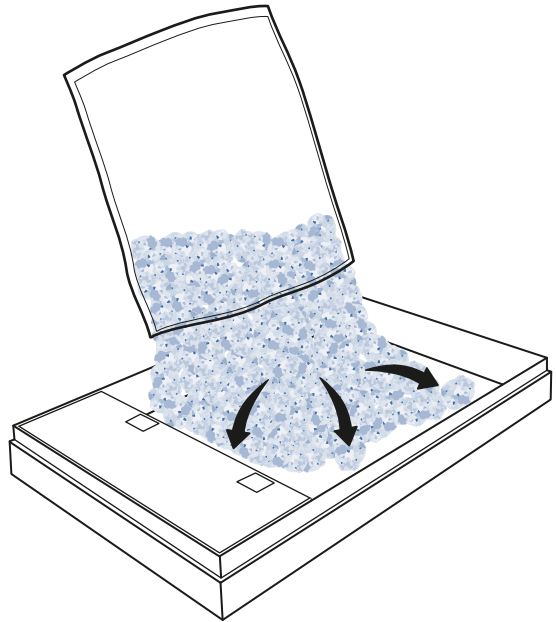
Insert the small end of the power adaptor into the socket on the bottom of the litter box frame. Slide the power adaptor cable under the clips on either side of the socket to secure it.

3



Install the waste trap cover by inserting the posts on the underside of the waste trap cover into the notches inside the front of the litter box frame.

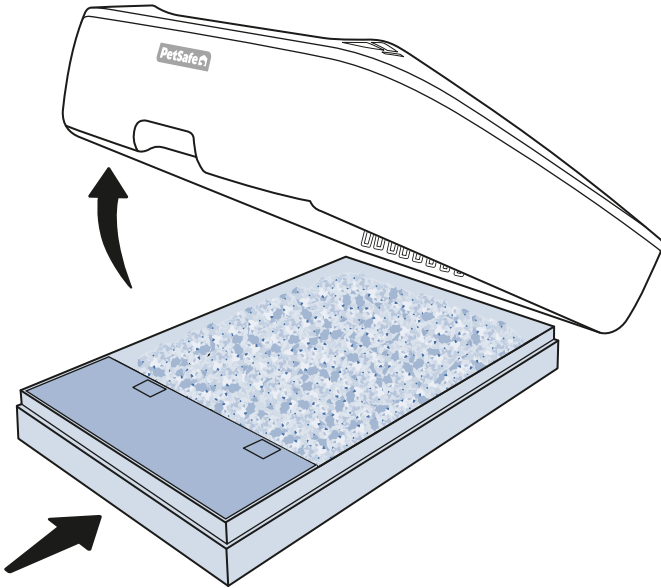
4



Pour the crystal litter into the litter tray and spread it evenly. Sprinkle one handful of litter under the waste trap.

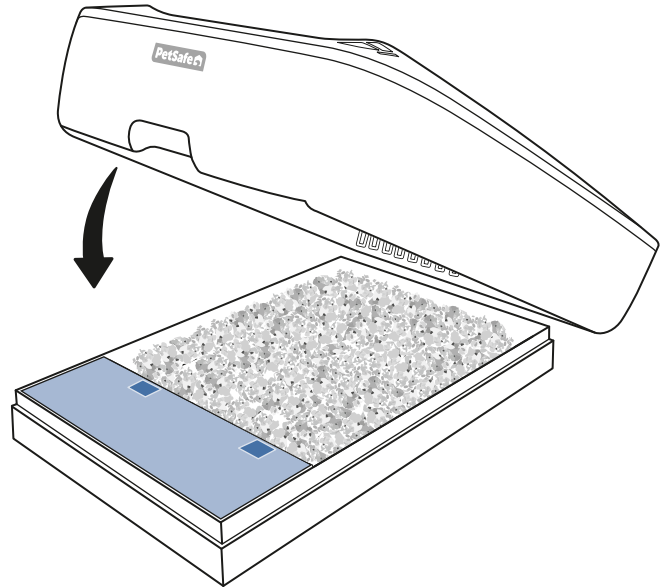
The litter tray lid is under the litter tray. You'll use this later when you change the litter tray.

5



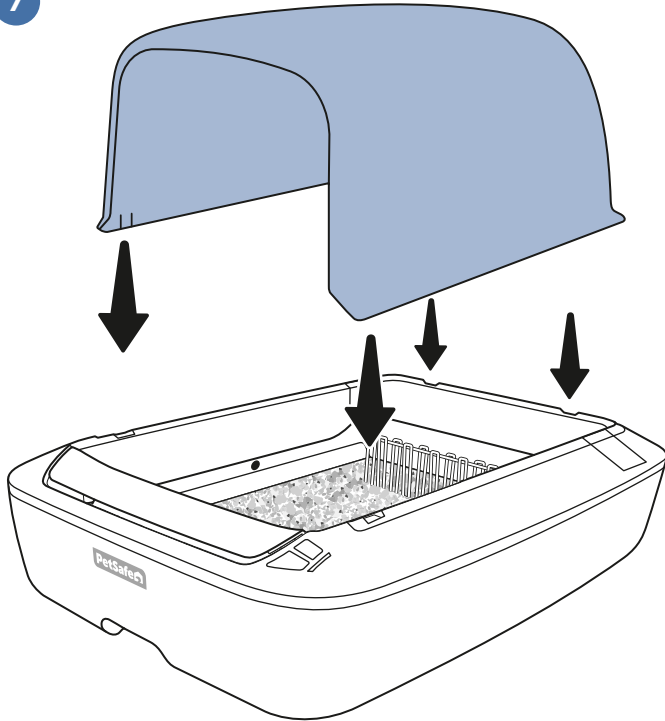
Lift the front of the litter box frame. Slide the litter tray under it, making sure the waste trap on the tray is under the waste trap cover on the litter box frame.

6



Lower the litter box frame. You'll hear a click as the magnets on the waste trap cover connect with the magnets on the litter tray.

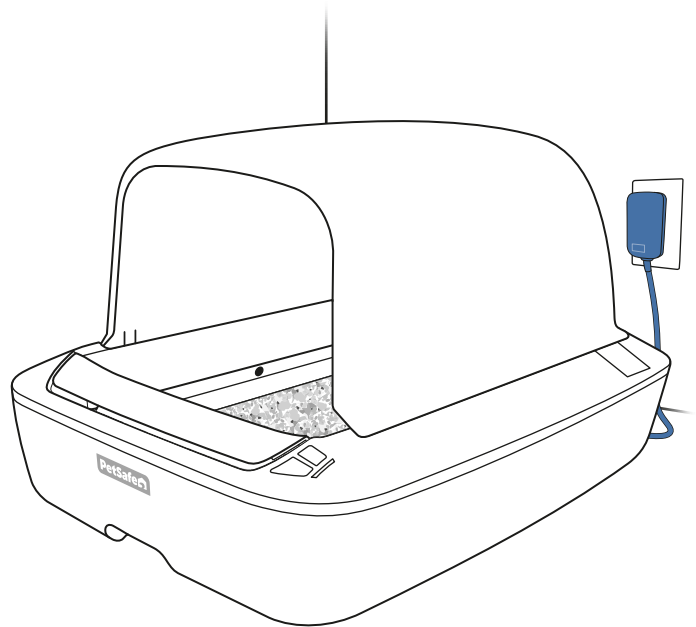
7



Place the privacy cover on top of the litter box, inserting the tabs at the bottom of the privacy cover into the notches on the top edge of the litter box.

If your cat has not used a covered litter box before, it may help to leave the litter box uncovered until your cat is comfortable using it.

8



Plug the power adaptor into the electrical outlet.

**Important:** If you have a kitten, leave the litter box unplugged until she is at least 6 months old.

The litter box will power on.