


Your new litter box is ready to use. Here's how it works:

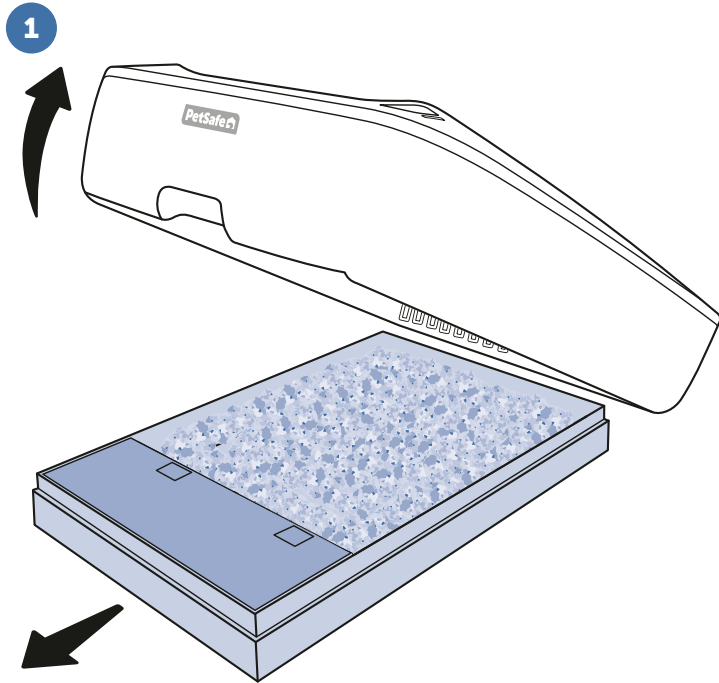
- Sensors inside the litter box recognize when your cat is present. When your cat leaves the litter box, the rake button will blink blue and the rake timer will start a 20-minute countdown.
- When the countdown is complete, the rake will move any solid waste into the waste trap. (The crystal litter will absorb any liquid waste.)
- If your cat returns to the litter box during the countdown, the rake timer will stop. The rake timer will reset when your cat leaves the litter box again.
- To activate the rake manually at any time, press the rake button. To pause the rake while it is in motion, press the rake button again.

The tray life LED and rake button light up to indicate litter box status:

Indicator	Light color	Meaning
Tray life LED	Blue, solid	The litter tray is validated and has been in use for fewer than 50 rake cycles.
	Yellow, solid	The litter tray has been in use for 50 or more rake cycles.
	Red, fast blinking	The litter tray is invalid or has been in use for 100 or more rake cycles. Replace with an authentic PetSafe® Crystal Litter Tray.
 Rake button	Blue, fast blinking	The rake is paused. This happens if you press the rake button while the rake is in motion. To resume the rake cycle, press the rake button.
	Blue, slow blinking	The rake timer is counting down, or raking is currently in progress.
	Blue, solid	The litter box has power and is functioning normally.
	Yellow, fast blinking	A sensor was blocked during the rake cycle. Clear any obstructions near the rake and clean the sensors, then press the rake button. The rake should finish the cycle and return to the home position.
	Red, solid	A mechanical error has occurred during the rake cycle, or a sensor has been blocked for 60 minutes or more. Clear any obstructions near the rake and clean the sensors, then press the rake button. The rake should finish the cycle and return to the home position. If the error persists, please contact Customer Care for assistance.

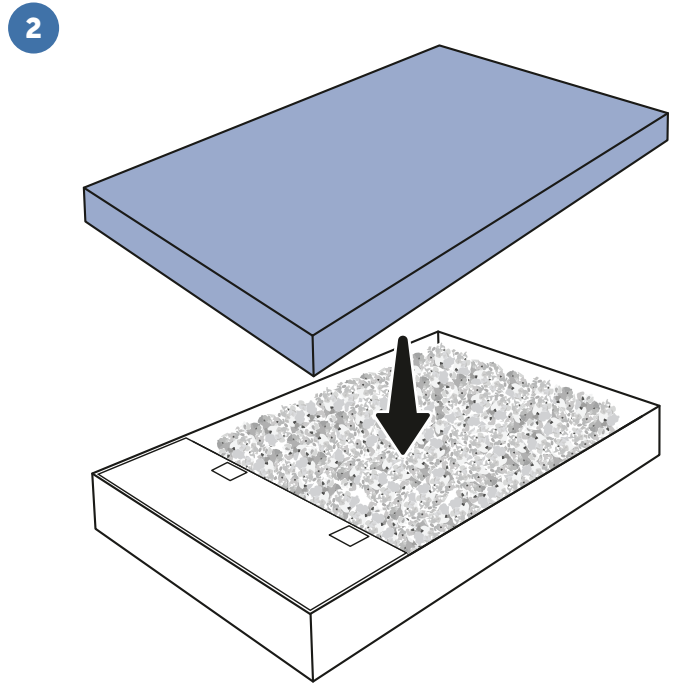
Change the crystal litter tray

You can expect a litter tray to last 20-30 days for one cat, 10-15 days for two cats, and 7-10 days for three or more cats. When it's time for a change:



Lift the litter box frame and remove the used litter tray.

Important: See the customer care guide for safety instructions related to cat litter waste and toxoplasmosis



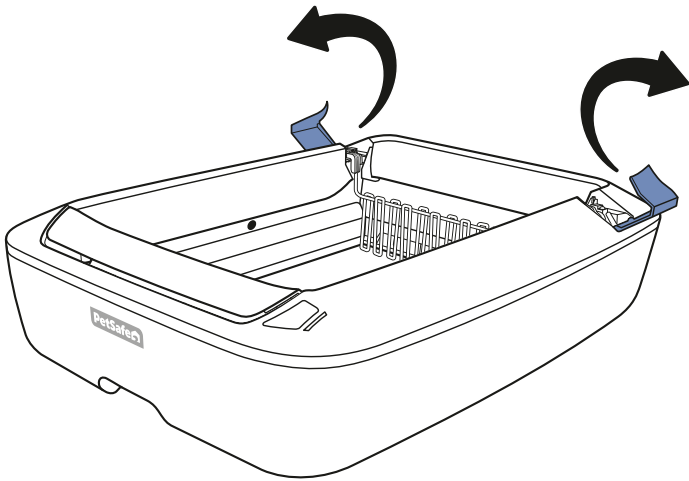
Remove the lid from under the tray and use it to cover the tray for disposal. There's no need to touch the litter.

Remember to use only PetSafe® ScoopFree® products with your ScoopFree® litter box. PetSafe® ScoopFree® litter is specially designed to work with your PetSafe® ScoopFree® Crystal Classic Self-Cleaning Litter Box.

Clean the litter box

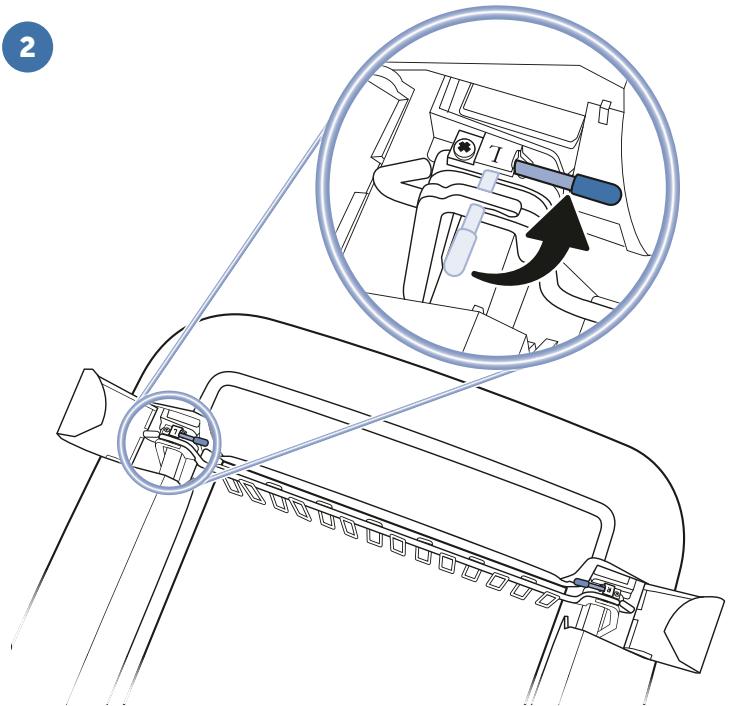
Complete the following steps every few weeks to keep your litter box clean and raking reliably:

1



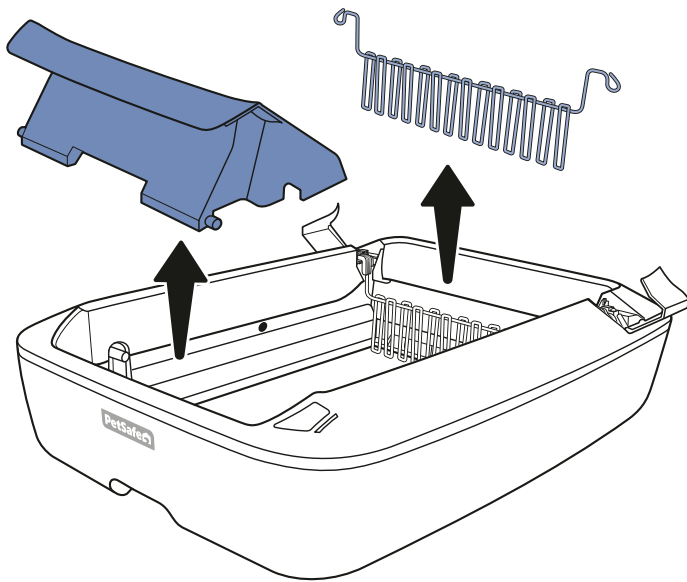
Unplug the litter box and remove the litter tray.
Open the rake covers.

2



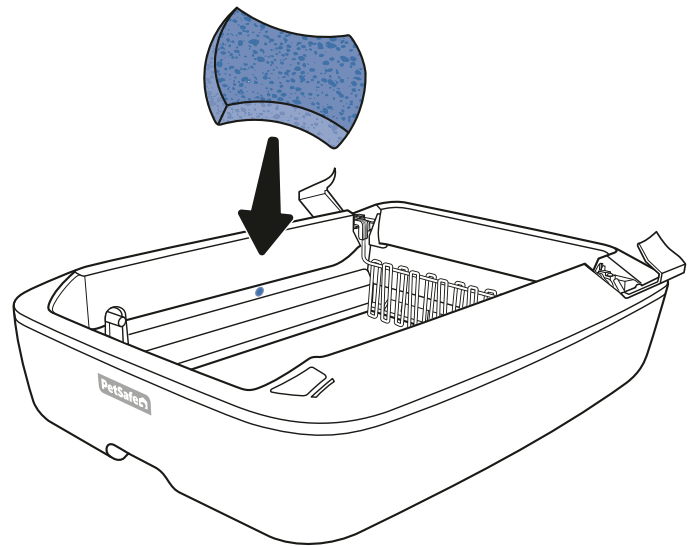
Release the rake by rotating the rake clips toward the back of the litter box.

3



Lift the rake straight up and out of the litter box frame.
Pull straight up on the waste trap cover to remove it.
Wash the rake and waste trap cover with warm soapy water and then dry thoroughly.

4

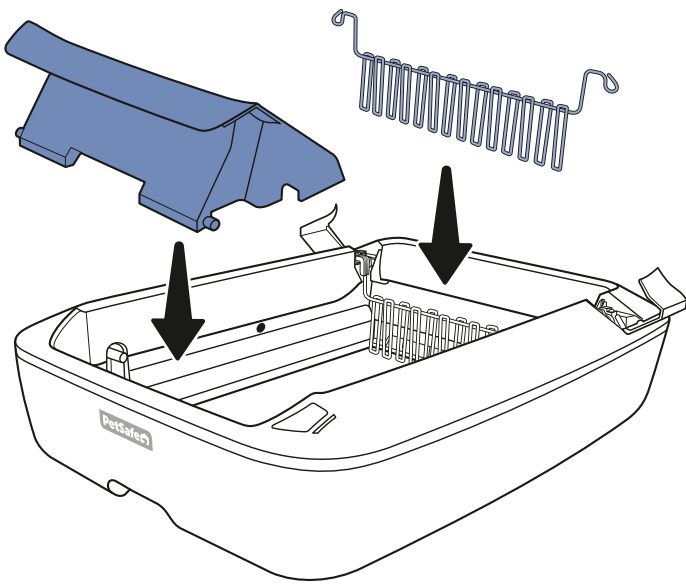


Using a cloth or sponge, mild soap, and water, wipe all surfaces of the litter box frame. Make sure the sensors inside the litter box frame are clean and unobstructed.

Important: Do not use bleach or chemicals to clean; the odor may repel your cat.

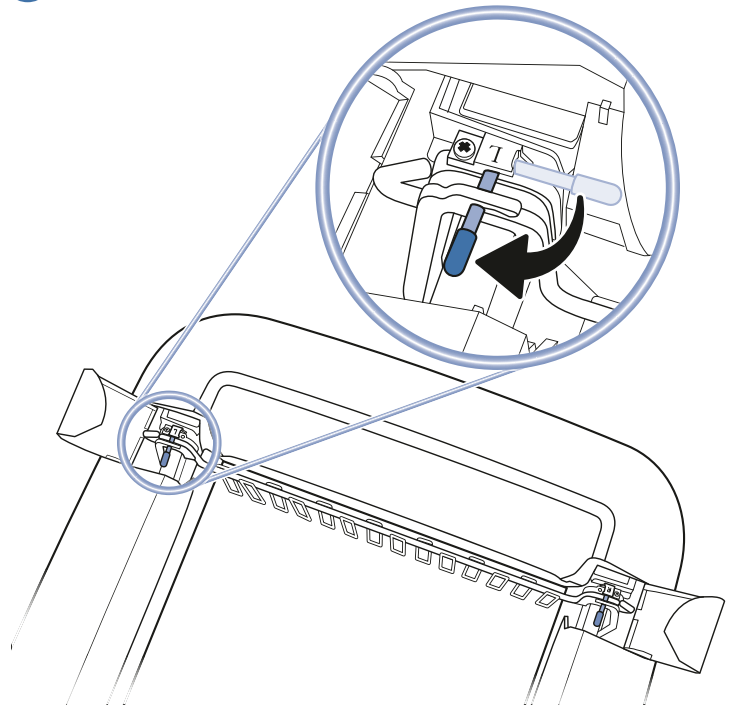
Thoroughly dry all parts.

5



Once all litter box parts are dry, reassemble the litter box.
Replace the waste trap cover by inserting the posts on the underside of the waste trap cover into the notches inside the front of the litter box frame.
Replace the rake.

6



Secure the rake by rotating the rake clips toward the front of the litter box. Close the rake covers.
Plug the litter box back in and install a new litter tray.

ScoopFree[®] Crystal Classic

Self-Cleaning Litter Box



We're here to help!

For questions or additional tips:
support.petsafe.com

1-Year Limited Warranty | ©2024 Radio Systems Corporation | Models: PAL00-18016 | SFE400-2625
For important safety instructions, please see the customer care guide.