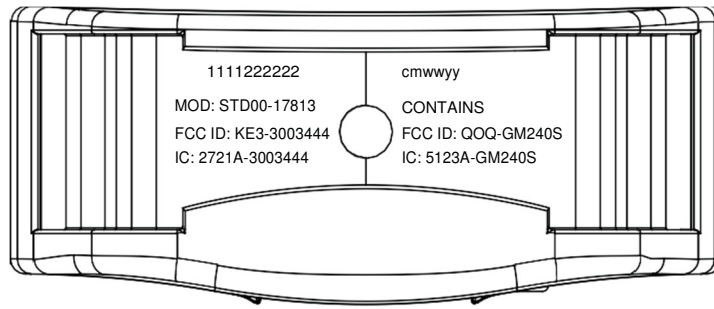
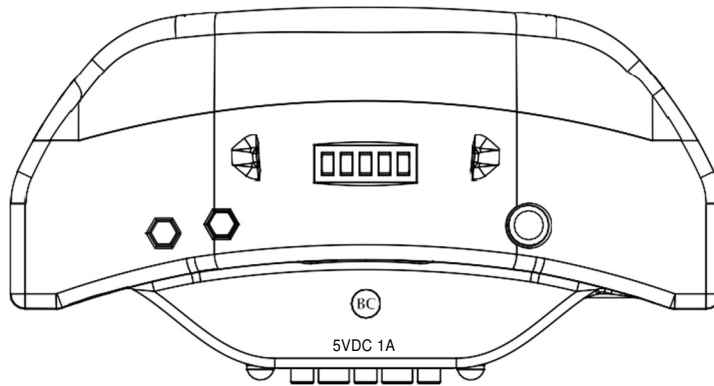


Radio Systems Sample Label and Label Location
Field Sentinel Collar



Top
View



Side
View

300-3444

Notes:

1. Laser etch artwork as shown
2. Do not print part outlines or dimensions (For reference only)
3. Tolerance +/- .3mm
4. Scale: 1 to 1
5. 1111222222: refer to 490-897 latest version, Figure 1, RSC serialization single label format standard section.
6. cmwwyy: refer to 490-897 latest version, Figure 9, RSC standard date code format section.