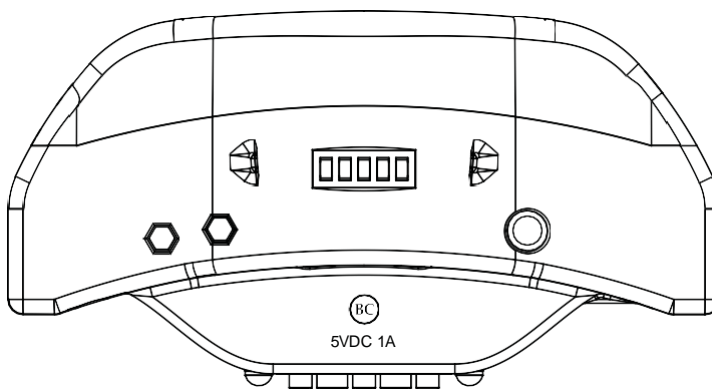


Top



Side
View

300-3444

417-1346

Notes:

1. Laser etch artwork as shown
2. Do not print part outlines or dimensions (For reference only)
3. Tolerance +/- .3mm
4. Scale: 1 to 1
5. 1111222222: refer to 490-897 latest version, Figure 11, RSC serialization single label format standard section.
6. cmwwyy: refer to 490-897 latest version, Figure 9, RSC standard date code format section.
7. Mod will change to either 300-3444 or 300-3446