



Testing Tomorrow's Technology

Application

For

**Title 47 USC Part 2, Subpart J, Paragraph 2.907 Equipment Authorization of
Certification for an Intentional Radiator per Part 15, Subpart C,
Paragraphs 15.207 and 15.209**

And

**Industry Canada, Radio Standards Specifications:
RSS Gen Issue 4 and RSS-210 Issue 8**

For the

Radio Systems

Model: SDT00-12721

FCC ID: KE3-3003061

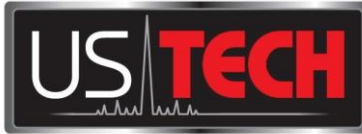
IC: 2721A-3003061

UST Project: 15-0033

Issue Date: February 19, 2015

Total Pages in This Report: 22

**3505 Francis Circle Alpharetta, GA 30004
PH: 770-740-0717 Fax: 770-740-1508
www.ustech-lab.com**

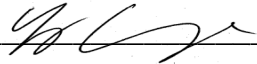


Testing Tomorrow's Technology

I certify that I am authorized to sign for the Test Agency and that all of the statements in this report and in the Exhibits attached hereto are true and correct to the best of my knowledge and belief:

US TECH (Agent Responsible For Test):

By: George Yang

Name: 

Title: Laboratory Manager

Date February 19, 2015



NVLAP LAB CODE 200162-0

This report shall not be reproduced except in full. This report may be copied in part only with the prior written approval of US Tech. The results contained in this report are subject to the adequacy and representative character of the sample provided. This report must not be used to claim product certification, approval, or endorsement by NVLAP, NIST or any agency of the Federal Government.

**3505 Francis Circle Alpharetta, GA 30004
PH: 770-740-0717 Fax: 770-740-1508
www.ustech-lab.com**

US Tech Test Report:
FCC ID:
IC:
Test Report Number:
Issue Date:
Customer:
Model:

FCC Part 15 Certification/ RSS 210
KE3-3003061
2721A-3003061
15-0033
February 19, 2015
Radio Systems
SDT00-12721

MEASUREMENT TECHNICAL REPORT

COMPANY NAME: Radio Systems
MODEL: SDT00-12721
FCC ID: KE3-3003061
IC: 2721A-3003061
DATE: February 19, 2015

This report concerns (check one): Original grant
Class II change

Equipment type: 7.37 kHz or 10.65 kHz Transmitter Module

Deferred grant requested per 47 CFR 0.457(d)(1)(ii)? yes_____ No X

If yes, defer until: N/A
date

agrees to notify the Commission by N/A
date

of the intended date of announcement of the product so that the grant can be issued on that date.

Report prepared by:

US Tech
3505 Francis Circle
Alpharetta, GA 30004

Phone Number: (770) 740-0717
Fax Number: (770) 740-1508

Table of Contents

<u>Paragraph</u>	<u>Title</u>	<u>Page</u>
1	General Information.....	6
1.1	Purpose of this Report	6
1.2	Characterization of Test Sample.....	6
1.3	Product Description	6
1.4	Configuration of Tested System.....	6
1.5	Test Facility.....	7
2	Tests and Measurements	9
2.1	Test Equipment.....	9
2.2	Modifications to EUT Hardware	10
2.3	Number of Measurements for Intentional Radiators (15.31(m)).....	10
2.4	Frequency Range of Radiated Measurements (Part 15.33).....	10
2.4.1	Intentional Radiator.....	10
2.4.2	Unintentional Radiator	11
2.5	Measurement Detector Function and Bandwidth (CFR 15.35)	11
2.5.1	Detector Function and Associated Bandwidth	11
2.5.2	Corresponding Peak and Average Requirements.....	11
2.5.3	Pulsed Transmitter Averaging.....	11
2.6	EUT Antenna Requirements (CFR 15.203)	12
2.7	Restricted Bands of Operation (Part 15.205).....	12
2.8	Intentional Radiator, Power Line Conducted Emissions (CFR 15.207).....	12
2.9	Intentional Radiator, Radiated Emissions (CFR 15.209, (IC RSS 210))	13
2.10	99% Occupied Bandwidth (IC RSS 210, A8.1).....	15
2.11	Unintentional/Intentional Radiator, Power line Emissions (CFR 15.107 and 15.207)	17
2.12	Unintentional/Intentional Radiator, Radiated Emissions (CFR 15.109 and 15.209)	19
2.13	Measurement Uncertainty	22
2.13.1	Conducted Emissions Measurement Uncertainty	22
2.13.2	Radiated Emissions Measurement Uncertainty	22

US Tech Test Report:
FCC ID:
IC:
Test Report Number:
Issue Date:
Customer:
Model:

FCC Part 15 Certification/ RSS 210
KE3-3003061
2721A-3003061
15-0033
February 19, 2015
Radio Systems
SDT00-12721

List of Figures

<u>Figures</u>	<u>Title</u>	<u>Page</u>
Figure 1.	Test Configuration	8
Figure 2.	20 dB & 99% Bandwidth	16

List of Tables

<u>Table</u>	<u>Title</u>	<u>Page</u>
Table 1.	EUT and Peripherals.....	8
Table 2.	Test Instruments	9
Table 3.	Number of Test Frequencies for Intentional Radiators.....	10
Table 4.	Allowed Antenna(s)	12
Table 5.	Radiated Emissions 9 kHz to 30 MHz	14
Table 6.	20 dB Bandwidth and 99% Occupied Bandwidth	15
Table 7.	Transmitter Power Line Conducted Emissions Test Data, (15.107 and 15.207).....	18
Table 8 .	Unintentional Radiator, Peak Radiated Emissions (CFR 15.209),	20
Table 9.	Unintentional Radiator, Peak Radiated Emissions (CFR 15.109, 15.209), 30 MHz to 1000 MHz	21

List of Attachments

Agency Agreement
Application Forms
Letter of Confidentiality
Equipment Label(s)
Block Diagram(s)
Schematic(s)
Test Configuration Photographs
Internal Photographs
External Photographs
Antenna Photographs
Theory of Operation
User's Manual

US Tech Test Report:
FCC ID:
IC:
Test Report Number:
Issue Date:
Customer:
Model:

FCC Part 15 Certification/ RSS 210
KE3-3003061
2721A-3003061
15-0033
February 19, 2015
Radio Systems
SDT00-12721

1 General Information

1.1 Purpose of this Report

This report is prepared as a means of conveying test results and information concerning the suitability of this exact product for public distribution according to the FCC Rules and Regulations Part 15, Section 207 and 209, and IC RSS 210 Issue 8.

1.2 Characterization of Test Sample

The sample used for testing was received by US Tech on February 5, 2015 in good operating condition.

1.3 Product Description

The Equipment Under Test (EUT) is the Radio Systems Model SDT00-12721. The SDT00-12721 transmitter is an in-ground containment transmitter replacement for the Sport Dog RF-104A and the PetSafe Pro ProTX-1 transmitter. It is a single output transmitter with 75 to 100 acre capability. The operating frequency is switchable between 7.35 kHz and 10.65 kHz, standard Radio System Corp operating frequencies. Since no limits are set below 9 kHz, the EUT was only tested at 10.65 kHz.

Frequency: 7.35 kHz or 10.65 kHz

Modulation: OOK

Antenna: External Wire Loop

1.4 Configuration of Tested System

The Test Sample was tested per *ANSI C63.4:2009, Methods of Measurement of Low-Voltage Electrical and Electronic Equipment in the Range of 9 kHz to 40 GHz (2009)* for FCC subpart A Digital equipment Verification requirements and per FCC KDB Publication number 558074 for Digital Transmission Systems Operating Under section 15.247. Also, FCC, KDB Publication No. 558074 was used as a test procedure guide.

A list of EUT and Peripherals is found in Table 1 below. A block diagram of the tested system is shown in Figure 1. Test configuration photographs are provided in separate Appendices.

US Tech Test Report:
FCC ID:
IC:
Test Report Number:
Issue Date:
Customer:
Model:

FCC Part 15 Certification/ RSS 210
KE3-3003061
2721A-3003061
15-0033
February 19, 2015
Radio Systems
SDT00-12721

1.5 Test Facility

Testing was performed at US Tech's measurement facility at 3505 Francis Circle, Alpharetta, GA 30004. This site has been fully described and registered with the FCC. Its designation number is 186022. Additionally this site has also been fully described and submitted to Industry Canada (IC), and has been approved under file number 9900A-1.

1.6 Related Submittals

The EUT is subject to the following FCC authorizations:

- a) Certification under section 15.207 and 15.209 as a transmitter.
- b) Verification under 15.101 as a digital device.

The Verification requirement shares many common report elements with the Certification report. Therefore, though this report is mostly intended to provide data for the Certification process, the Verification authorization report (part 15.107 and 15.109) for the EUT is included herein.

Table 1. EUT and Peripherals

PERIPHERAL MANUFACTURER.	MODEL NUMBER	SERIAL NUMBER	FCC ID:	CABLES P/D
Threshold Barrier Radio Systems (EUT)	SDT00-12721	Engineering Sample	FCC ID: KE3-3003061 (pending) IC: 2721A-3003061 (pending)	1.5 m U P
AC Adapter Battery Charger	AS-A15800D-DIN	Production Sample	None	1.5 m U P
Pet Collar Radio Systems	RF-104A	01224147	None	N/A
Antenna	See antenna details	--	--	--

U= Unshielded S= Shielded
 P= Power D= Data

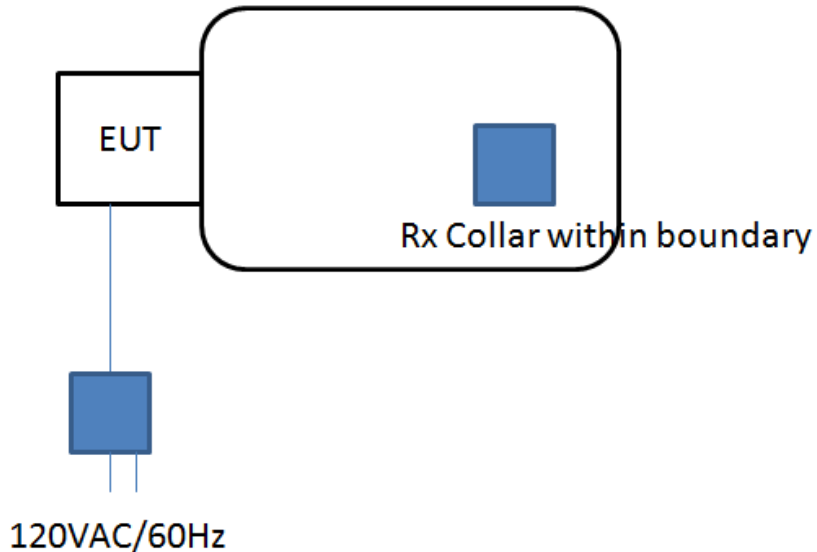


Figure 1. Test Configuration

US Tech Test Report:
 FCC ID:
 IC:
 Test Report Number:
 Issue Date:
 Customer:
 Model:

FCC Part 15 Certification/ RSS 210
 KE3-3003061
 2721A-3003061
 15-0033
 February 19, 2015
 Radio Systems
 SDT00-12721

2 Tests and Measurements

2.1 Test Equipment

The table below lists test equipment used to evaluate this product. Model numbers, serial numbers and their calibration status are indicated.

Table 2. Test Instruments

TEST INSTRUMENT	MODEL NUMBER	MANUFACTURER	SERIAL NUMBER	DATE OF LAST CALIBRATION
SPECTRUM ANALYZER	E4407B	Agilent	US41442935	1/28/2015
Spectrum Analyzer	8566B	Hewlett Packard	2410A00109	2/3/2014 Ext. 90 Days
PREAMP	8477E	HEWLETT-PACKARD	1145A00307	11/21/2014
LOOP ANTENNA	SAS-200/562	A. H. Systems	142	9/12/2013 2 yr
BICONICAL ANTENNA	3110B	EMCO	9307-1431	2/11/2013 2 yr
LOG PERIODIC ANTENNA	3146	EMCO	9305-3600	7/1/2014 2 yr
LISN x 2	9247-50-TS-50-N	Solar Electronics	910495 & 910494	3/20/2014

Note: The calibration interval of the above test instruments are 12 months unless stated otherwise and all calibrations are traceable to NIST/USA.

2.2 Modifications to EUT Hardware

No physical modifications were made by US Tech in order to bring the EUT into compliance with FCC Part 15, Subpart C Intentional Radiator Limits for the transmitter portion of the EUT or the Subpart B Unintentional Radiator Limits (Receiver and Digital Device) Requirements.

2.3 Number of Measurements for Intentional Radiators (15.31(m))

Measurements of intentional radiators or receivers shall be performed and reported for each band in which the device can be operated with the device operating at the number of frequencies in each band specified in Table 3 below.

Table 3. Number of Test Frequencies for Intentional Radiators

Frequency Range over which the device operates	Number of Frequencies	Location in the Range of operation
1 MHz or less	1	Middle
1 to 10 MHz	2	1 near the top 1 near the bottom
Greater than 10 MHz	3	1 near top 1 near middle 1 near bottom

Because the EUT operates at 7.35 kHz or 10.65 kHz, 1 test frequency was used.

2.4 Frequency Range of Radiated Measurements (Part 15.33)

2.4.1 Intentional Radiator

The spectrum shall be investigated for the intentional radiator from the lowest RF signal generated in the EUT, without going below 9 kHz to the 10th harmonic of the highest fundamental frequency generated or 40 GHz, whichever is the lowest.

US Tech Test Report:
FCC ID:
IC:
Test Report Number:
Issue Date:
Customer:
Model:

FCC Part 15 Certification/ RSS 210
KE3-3003061
2721A-3003061
15-0033
February 19, 2015
Radio Systems
SDT00-12721

2.4.2 Unintentional Radiator

For the digital device, an unintentional radiator, the frequency range shall be 30 MHz to 1000 MHz, or to 5 times the highest internal clock frequency.

2.5 Measurement Detector Function and Bandwidth (CFR 15.35)

The radiated and conducted emissions limits shown herein are based on the following:

2.5.1 Detector Function and Associated Bandwidth

On frequencies below 1000 MHz, the limits herein are based upon measurement equipment employing a CISPR Quasi-peak detector function and related measurement bandwidths (i.e. 9 kHz from 150 kHz to 30 MHz and 120 kHz from 30 MHz to 1000 MHz). Alternatively, measurements may be made with equipment employing a peak detector function as long as the same bandwidths specified for the Quasi-peak device are used.

2.5.2 Corresponding Peak and Average Requirements

Above 1000 MHz, radiated limits are based on measuring instrumentation employing an average detector function. When average radiated emissions are specified there is also a corresponding Peak requirement, as measured using a peak detector, of 20 dB greater than the average limit. For all measurements above 1000 MHz the Resolution Bandwidth shall be at least 1 MHz.

2.5.3 Pulsed Transmitter Averaging

When the radiated emissions limit is expressed as an average value, and the transmitter is pulsed, the measured field strength shall be determined by applying a Duty Cycle Correction Factor based upon dividing the total ON time during the first 100 ms period by 100 ms (or by the period if less than 100 ms). The duty cycle may be expressed logarithmically in dB.

NOTE: If the transmitter was programmed to transmit at >98% duty cycle, then, wherever applicable (where the detection mode was AVG) the duty cycle factor calculated will be applied.

2.6 EUT Antenna Requirements (CFR 15.203)

An intentional radiator shall be designed to ensure that no antenna other than that furnished by the responsible party shall be used with the device. The use of a permanently attached antenna or of an antenna that uses a unique coupling to the intentional radiator shall be considered sufficient to comply with the provisions of this section. Only the antenna(s) listed in Table 4 will be used with this module.

Table 4. Allowed Antenna(s)

REPORT REFERENCE	MANUFACTURER	TYPE OF ANTENNA	MODEL	GAIN dB _i	TYPE OF CONNECTOR
Antenna 1	Radio Systems	Wire Loop Antenna	Engineering Sample	N/A	Electrical contacts

Note: This requirement does not apply to carrier current devices

2.7 Restricted Bands of Operation (Part 15.205)

Only spurious emissions can fall in the frequency bands of CFR 15.205. The field strength of these spurious emissions cannot exceed the limits of 15.209. Radiated Harmonics and other Spurious Emissions are examined for this requirement; see paragraph 2.10.

2.8 Intentional Radiator, Power Line Conducted Emissions (CFR 15.207)

The EUT is DC powered and includes an AC powered adapter; 120 V and 60 Hz. Power line conducted emissions testing was performed to ensure that with the EUT in operation (exercising all transmitter functions), the complete system continues to meet the applicable requirements for CFR 15.207. These measurements were completed while the EUT was connected to the power supply adapter. Results are displayed along with the 15.107 power line test data in the sections below.

US Tech Test Report:
FCC ID:
IC:
Test Report Number:
Issue Date:
Customer:
Model:

FCC Part 15 Certification/ RSS 210
KE3-3003061
2721A-3003061
15-0033
February 19, 2015
Radio Systems
SDT00-12721

2.9 Intentional Radiator, Radiated Emissions (CFR 15.209, (IC RSS 210))

Radiated Radio measurements: the EUT was placed into a continuous transmit mode of operation and a preliminary scan was performed on the EUT to find signal frequencies that were caused by the transmitter part of the product. To obtain the worst case results, the EUT was placed on a table top of a non-conductive table, 80 cm above the ground floor. The EUT was positioned 3 meters away from the receiving antenna during testing (1 meter at frequencies above 6 GHz and if the emissions were less than 6 dB from the noise floor). The EUT was tested in X, Y and Z axes or the position of normal operation to determine the worst case orientation. Radiated measurements below 30 MHz were tested with a RBW = 9 kHz; emissions below 1 GHz were tested with a RBW = 120 kHz and radiated measurements above 1 GHz were measured using a RBW =1 MHz. VBW was set to three times the RBW value.

The test data is detailed below for this section. For radiated emissions, any emission that was greater than 20 dB from the applicable limit was not recorded. If radiated emissions above 1 GHz were measured at a distance of 1 meter, the measured value at 1 meter was extrapolated to the results at 3 meters using an inverse distance extrapolation factor of -20 dB/decade. There were no test failures.

US Tech Test Report:
 FCC ID:
 IC:
 Test Report Number:
 Issue Date:
 Customer:
 Model:

FCC Part 15 Certification/ RSS 210
 KE3-3003061
 2721A-3003061
 15-0033
 February 19, 2015
 Radio Systems
 SDT00-12721

Table 5. Radiated Emissions 9 kHz to 30 MHz

Test: FCC Part 15, Para 15.209				Client: Radio Systems			
Project: 15-0033				Model: SDT00-12721			
Frequency (MHz)	Test Data (dBuV)	AF+CA-AMP (dB/m)	Results (dBuV/m)	Limits (dBuV/m)	Antenna Distance/ Polarization	Margin (dB)	Detector Mode
0.0107	21.30	78.70	100.00	127.1	3 meter	27.1	PK
0.0212	10.47	71.80	82.27	121.0	3 meter	38.8	PK
All other detected emissions were 20 dB or more from the applicable limit.							

- (*) Falls within the restricted bands of CFR 15.205. Limits based on CFR15.209 & 20 dB relaxation for peak measurements of CFR 15.35.
- No other signals detected within 20 dB of specification limit. Harmonics investigated up to the 10th harmonic

Sample Calculations: at 0.0107 MHz, 21.30 dBuV + (78.70) = 100.00 dBuV/m

Test Date: February 10, 2015

Tested By

Signature: *Stephen Miller* Name: Stephen Miller

NOTE: Measurements above 30 MHz are presented in Table 9 below.

US Tech Test Report:
FCC ID:
IC:
Test Report Number:
Issue Date:
Customer:
Model:

FCC Part 15 Certification/ RSS 210
KE3-3003061
2721A-3003061
15-0033
February 19, 2015
Radio Systems
SDT00-12721

2.10 99% Occupied Bandwidth (IC RSS 210, A8.1)

These measurements were performed while the EUT was in a constant transmit mode. The spectrum analyzer's occupied bandwidth measurement feature was used to collect the data. The analyzer was set to collect 99% and 20 dB measurements. The RBW was set to approximately 1/100 of the manufacturers claimed RBW and with the VBW \geq RBW. The results of this test are given in Table 7 and Figure 2.

Table 6. 20 dB Bandwidth and 99% Occupied Bandwidth

Frequency (kHz)	20 dB Bandwidth (kHz)	99% Occupied Bandwidth (kHz)
10.65	4.99	4.21

Test Date: February 19, 2015

Tested By

Signature: 

Name: George Yang

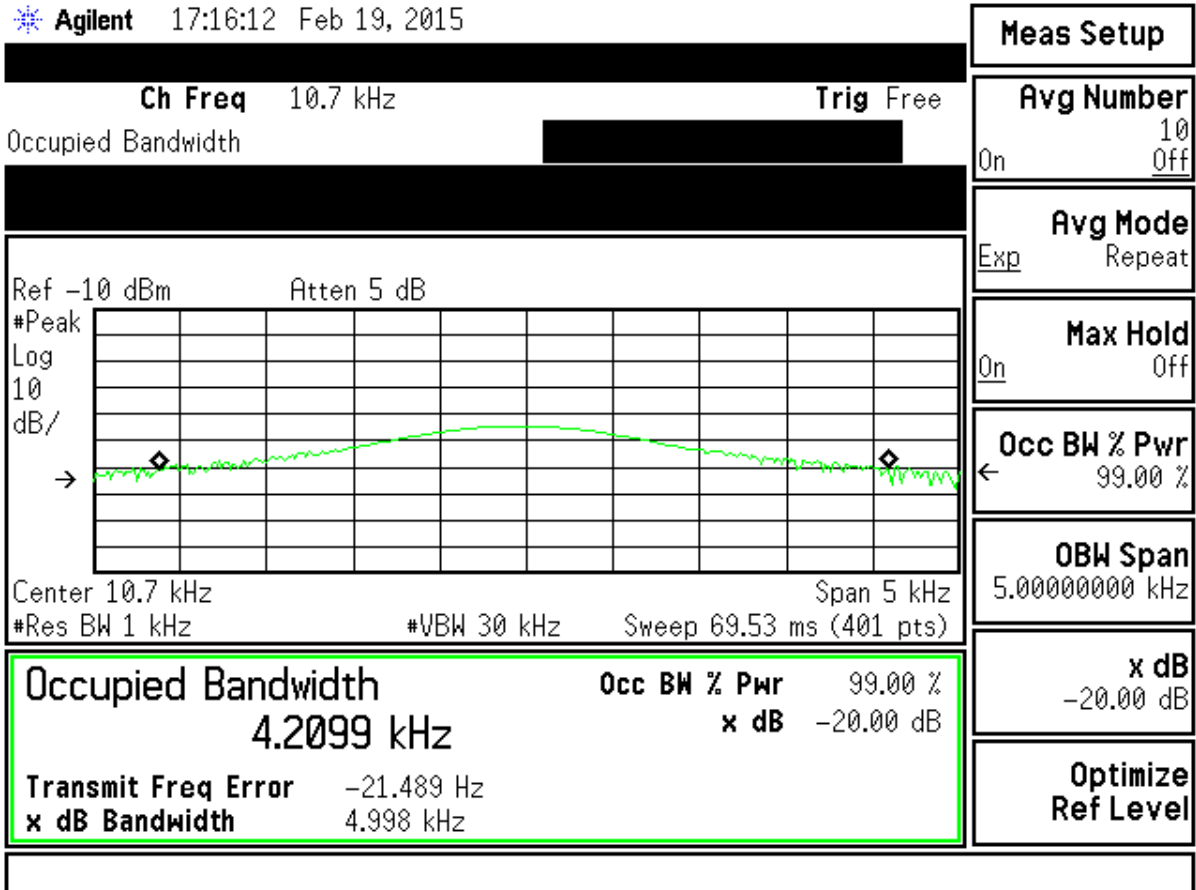


Figure 2. 20 dB & 99% Bandwidth

US Tech Test Report:
FCC ID:
IC:
Test Report Number:
Issue Date:
Customer:
Model:

FCC Part 15 Certification/ RSS 210
KE3-3003061
2721A-3003061
15-0033
February 19, 2015
Radio Systems
SDT00-12721

2.11 Unintentional/Intentional Radiator, Power line Emissions (CFR 15.107 and 15.207)

The power line conducted voltage emissions measurements have been carried out in accordance with CFR 15.107, per ANSI C63.4:2009, Paragraph 7, with a spectrum analyzer connected to a LISN and the EUT placed into a continuous mode of transmission.

The worst-case results for conducted emissions were determined to be produced when the EUT was operating under continuous transmission. The worst case measurement occurred on the Neutral line at 0.1550 MHz. The emission level was 4.9 dB from the applicable limit. All other emissions were at least 5.0 dB from the limit. Those results are given in the table following.

US Tech Test Report:
 FCC ID:
 IC:
 Test Report Number:
 Issue Date:
 Customer:
 Model:

FCC Part 15 Certification/ RSS 210
 KE3-3003061
 2721A-3003061
 15-0033
 February 19, 2015
 Radio Systems
 SDT00-12721

Table 7. Transmitter Power Line Conducted Emissions Test Data, (15.107 and 15.207)

150 KHz to 30 MHz with Class B Limits						
Test: Power Line Conducted Emissions				Client: Radio Systems		
Project: 15-0033				Model: SDT00-12721		
Frequency (MHz)	Test Data (dBuv)	LISN+CL-PA (dB)	Results (dBuV)	AVG Limits (dBuV)	Margin (dB)	Detector PK, QP, or AVG
120 VAC, 60 Hz Phase						
0.1500	55.00	1.40	56.40	66.0*	9.6	QP
0.1500	35.90	1.40	37.30	56.0	18.7	AVG
0.5040	34.90	0.27	35.17	46.0	10.8	QP
1.1720	32.60	0.27	32.87	46.0	13.1	PK
8.9450	28.00	0.47	28.47	50.0	21.5	PK
12.1700	28.10	0.52	28.62	50.0	21.4	PK
22.8000	27.80	0.58	28.38	50.0	21.6	PK
120VAC, 60 Hz Neutral						
0.1550	49.10	1.70	50.80	55.7	4.9	QP
0.5040	40.70	0.31	41.01	46.0	5.0	PK
4.1840	28.90	0.33	29.23	46.0	16.8	PK
5.1200	28.20	0.35	28.55	50.0	21.5	PK
10.6800	27.80	0.57	28.37	50.0	21.6	PK
25.7400	27.60	0.76	28.36	50.0	21.6	PK

Note: * denotes QP Limit

SAMPLE CALCULATION at 0.1500 MHz:

Magnitude of Measured Frequency	55.00	dBuV
+ Cable Loss+ LISN Loss	1.40	dB
=Corrected Result	56.40	dBuV
Limit	66.00	dBuV
-Corrected Result	56.40	dBuV
Margin	9.60	dB

Test Date: February 10, 2015

Tested By

Signature: Stephen Miller Name: Stephen Miller

US Tech Test Report:
FCC ID:
IC:
Test Report Number:
Issue Date:
Customer:
Model:

FCC Part 15 Certification/ RSS 210
KE3-3003061
2721A-3003061
15-0033
February 19, 2015
Radio Systems
SDT00-12721

2.12 Unintentional/Intentional Radiator, Radiated Emissions (CFR 15.109 and 15.209)

Radiated emissions disturbance Measurements were performed with EUT in constant transmit mode and using an instrument having both peak and quasi-peak detectors over the frequency range of 9 kHz to 1 GHz. Measurements of the radiated emissions were made with the receiver antenna at a distance of 3 m from the boundary of the test unit.

The test antenna was varied from 1 m to 4 m in height while watching the analyzers' display for the maximum magnitude of the signal at the test frequency. The antenna polarization (horizontal or vertical) and test sample azimuth were varied during the measurements to find the maximum field strength readings to record.

The worst-case radiated emission in the range of 9 kHz to 1 GHz was 10.9 dB below the limit at 114.71 MHz. This signal is found in Table 10. All other radiated emissions were 11.4 dB or more below the limit.

US Tech Test Report:
 FCC ID:
 IC:
 Test Report Number:
 Issue Date:
 Customer:
 Model:

FCC Part 15 Certification/ RSS 210
 KE3-3003061
 2721A-3003061
 15-0033
 February 19, 2015
 Radio Systems
 SDT00-12721

**Table 8 . Unintentional Radiator, Peak Radiated Emissions (CFR 15.209),
 9 kHz to 30 MHz**

9 kHz to 30 MHz							
Test: Radiated Emissions				Client: Radio Systems			
Project: 15-0033				Model: SDT00-12721			
Frequency (MHz)	Test Data (dBuv)	AF+CA-AMP (dB/m)	Results (dBuV/m)	QP Limits (dBuV/m)	Antenna Distance/ Polarization	Margin (dB)	Detector PK, or QP
4.91	2.83	26.50	29.33	69.5	3 meter	40.2	PK
23.98	12.70	0.30	13.00	69.5	3 meter	56.5	PK
29.73	10.52	9.80	20.32	69.5	3 meter	49.2	PK
All other emissions seen were at least 20 dB or more from the applicable limit.							

SAMPLE CALCULATION at 4.91 MHz:

Magnitude of Measured Frequency	2.83	dBuV
+ Cable Loss+ LISN Loss	26.50	dB
=Corrected Result	29.33	dBuV
Limit	69.50	dBuV
-Corrected Result	29.33	dBuV
Margin	40.20	dB

Test Date: February 9, 2015

Tested By

Signature: Stephen Miller Name: Stephen Miller

US Tech Test Report:
 FCC ID:
 IC:
 Test Report Number:
 Issue Date:
 Customer:
 Model:

FCC Part 15 Certification/ RSS 210
 KE3-3003061
 2721A-3003061
 15-0033
 February 19, 2015
 Radio Systems
 SDT00-12721

Table 9. Unintentional Radiator, Peak Radiated Emissions (CFR 15.109, 15.209), 30 MHz to 1000 MHz

30 MHz to 1000 MHz with Class B Limits							
Test: Radiated Emissions				Client: Radio Systems			
Project: 15-0033				Model: SDT00-12721			
Frequency (MHz)	Test Data (dBuV)	AF+CA-AMP (dB/m)	Results (dBuV/m)	QP Limits (dBuV/m)	Antenna Distance/ Polarization	Margin (dB)	Detector PK, or QP
114.71	47.50	-14.93	32.57	43.5	3m./VERT	10.9	PK
121.59	46.30	-14.25	32.05	43.5	3m./VERT	11.4	PK
121.97	38.00	-14.75	23.25	43.5	3m./HORZ	20.2	PK
113.90	44.00	-15.43	28.57	43.5	3m./HORZ	14.9	PK
All other emissions were at least 20 dB from the applicable limit.							

Tested from 30 MHz to 1 GHz

SAMPLE CALCULATION at 114.71 MHz:

Magnitude of Measured Frequency	47.50	dBuV
+ Cable Loss+ LISN Loss	-14.93	dB
=Corrected Result	32.57	dBuV
Limit	43.50	dBuV
-Corrected Result	32.57	dBuV
Margin	10.90	dB

Test Date: February 10, 2015

Tested By

Signature: Stephen Miller Name: Stephen Miller

US Tech Test Report:
FCC ID:
IC:
Test Report Number:
Issue Date:
Customer:
Model:

FCC Part 15 Certification/ RSS 210
KE3-3003061
2721A-3003061
15-0033
February 19, 2015
Radio Systems
SDT00-12721

2.13 Measurement Uncertainty

The measurement uncertainties given were calculated using the method detailed in CISPR 16-4. A coverage factor of $k=2$ was used to give a level of confidence of approximately 95%.

2.13.1 Conducted Emissions Measurement Uncertainty

Measurement Uncertainty (within a 95% confidence level) for this test is ± 2.78 dB.

The data listed in this test report does have sufficient margin to negate the effects of uncertainty. Therefore, the EUT unconditionally meets this requirement.

2.13.2 Radiated Emissions Measurement Uncertainty

For a measurement distance of 3 m the measurement uncertainty (with a 95% confidence level) for this test using a Biconical Antenna (30 MHz to 200 MHz) is ± 5.39 dB. This value includes all elements of measurement.

The measurement uncertainty (with a 95% confidence level) for this test using a Log Periodic Antenna (200 MHz to 1000 MHz) is ± 5.18 dB.

The data listed in this test report does have sufficient margin to negate the effects of uncertainty. Therefore, the EUT unconditionally meets this requirement.