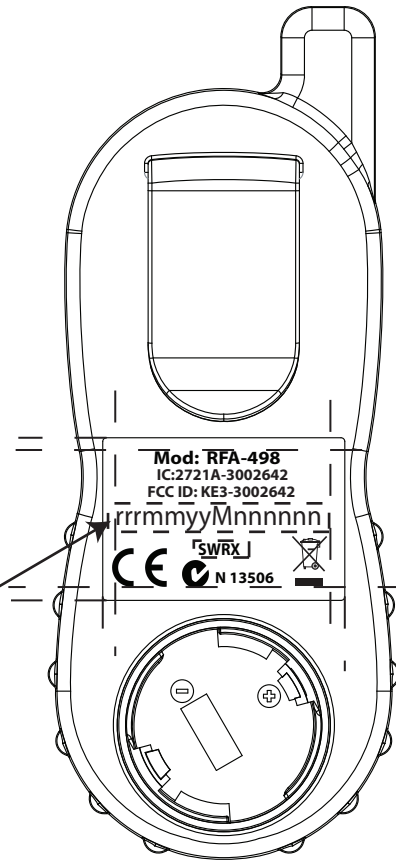


PAD PRINT : PMS PROCESS WHITE

Reference
490-897



LASER ETCH

NOTES:

1. Scale 1:1
2. Do not print lines (dashed, dimension or arrows).
3. Tolerance +/- .3mm
4. SWR X, X=LATEST SOFTWARE REVISION POSTED IN ORACLE.
5. See document 490-897 for serial number layout Figure 2 format #2.

| | |
|---|--|
| <p>Radio Systems CORPORATION The world leader in pet training products</p> | <p>Project: 433 MHz Trainer</p> |
| | <p>Description: ARTWORK HOUSING LOWER DTT 433MHz ROHS</p> |
| | <p>RSC Part: 417-775</p> |
| | <p>Revision: #01</p> |
| | <p>Revision Description: INCREASED SPACING PER CM INQUIRY</p> |
| | <p>RSC File Name: 417-775 Adobe Illustrator CS5.1</p> |
| | <p>Created Date: 10/1/12</p> |
| <p>Material:</p> | <p>Drawn By: JB</p> |
| | <p>ECO: RSCXXXX</p> |
| <p>Printing: PMS PROCESS WHITE</p> | <p>Revision Date: XX/YY/ZZ</p> |