

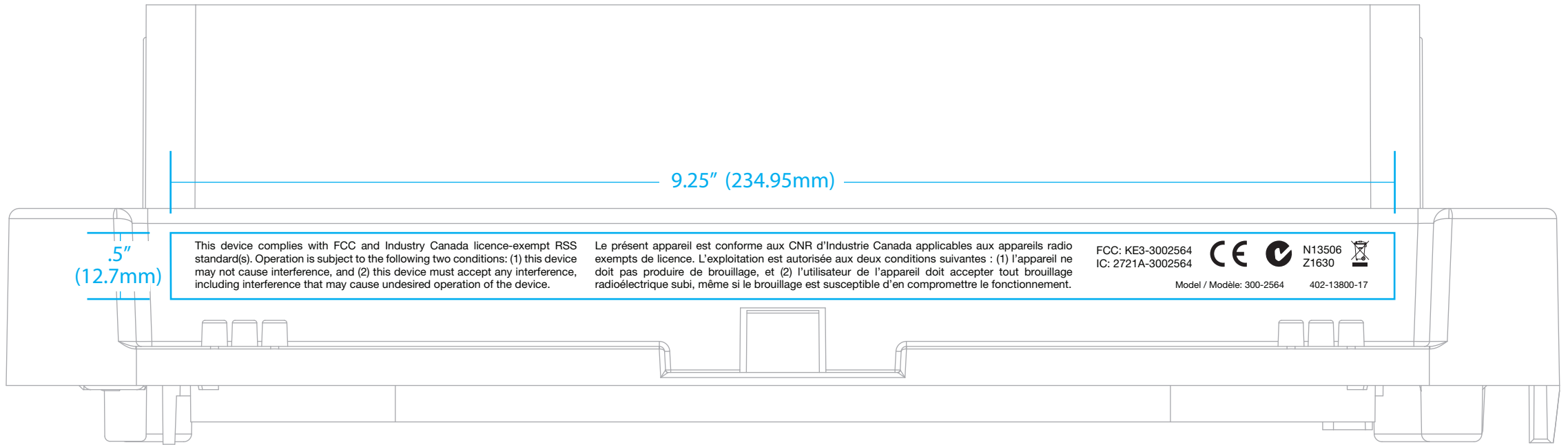
US Tech Test Report:
Issue Date:
Report Number:
Customer:
Model
FCC ID:
IC:

FCC Part 15.209/ RSS-210
April 16, 2013
13-0016
Radio Systems Corporation
300-2564
KE3-3002564
2721A-3002564

LABEL LOCATION



See label details on following page.



Radio Systems [®] CORPORATION The world leader in pet training products	Model #: PPA00-13795, 1000EF, 1000SGIFD Description: Multiple SKU's
	Program used: AI CS5
Printing: Silkscreen Black Ink	RSC Part #: Label PN: 402-13800-17 for Small Passport Door PN: 700-2959 Description: ARTWORK REGULATORY PASSPORT SMALL E/F
Material: yupo paper WIN-W-100(CP)K	Date: 04-18-13 Drawn By: MJ
Adhesive: Permanent	