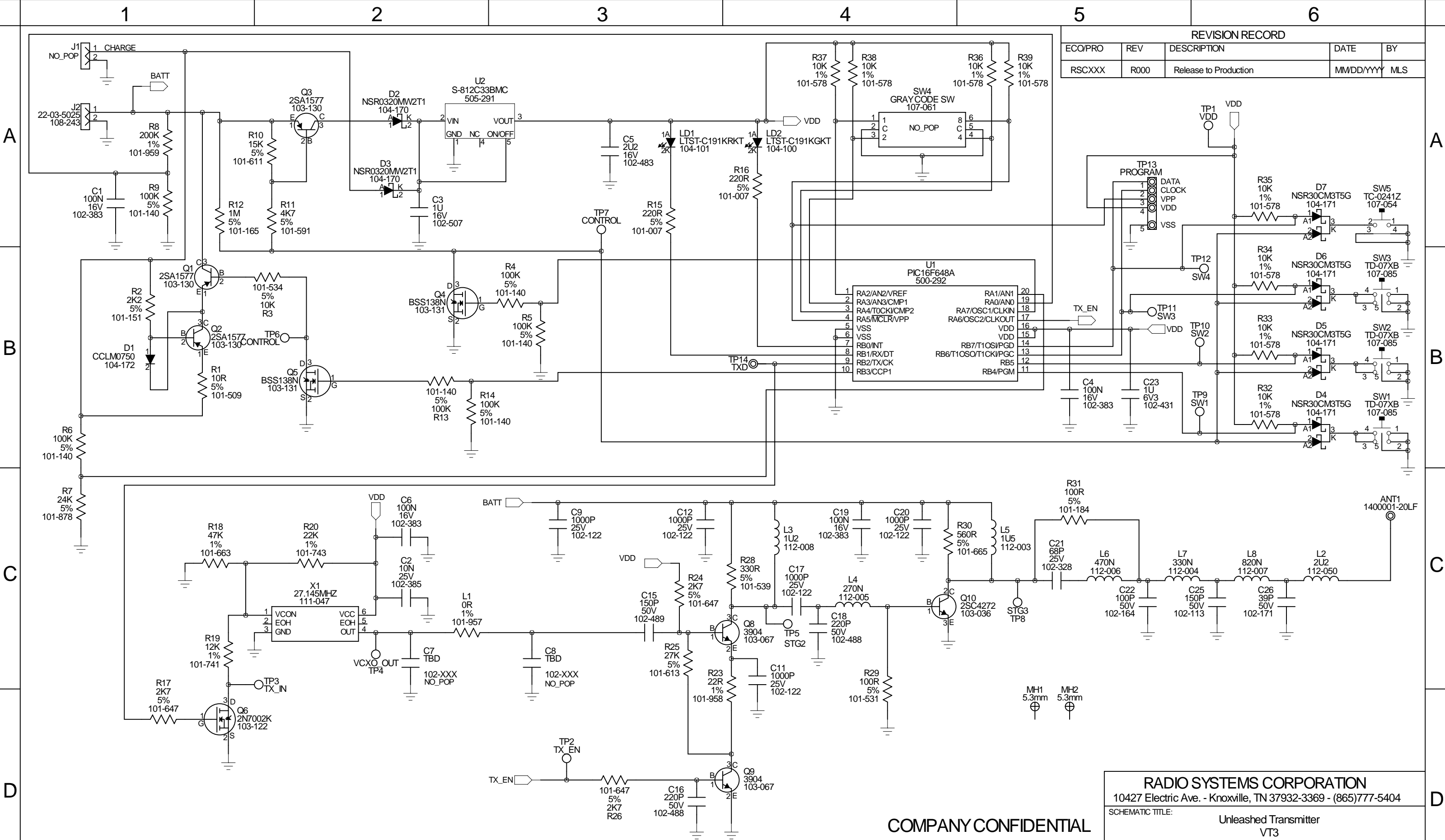


REVISION RECORD

ECO/PRO	REV	DESCRIPTION	DATE	BY
RSCXXX	R000	Release to Production	MM/DD/YYYY	MLS



COMPANY CONFIDENTIAL

RADIO SYSTEMS CORPORATION
 10427 Electric Ave. - Knoxville, TN 37932-3369 - (865)777-5404

SCHMATIC TITLE: Unleashed Transmitter VT3

THIS DRAWING IS THE PROPERTY OF AND PROPRIETARY TO RADIO SYSTEMS CORPORATION. THIS DRAWING AND THE INFORMATION CONTAINED HEREIN SHALL NOT BE REPRODUCED NOR DISCLOSED TO ANYONE EXCEPT THOSE REQUIRING IT'S USE FOR RSC AUTHORIZED PURPOSES. THIS DOCUMENT SHALL BE DESTROYED OR RETURNED TO RSC WHEN NO LONGER REQUIRED FOR THESE PURPOSES.

DRAWN: M. Strong
 ENGINEER: P. Johnson
 DATED: 26-OCT-10
 DATED: 26-OCT-10
 COPYRIGHT © RSC 2010

SIZE: B
 RSC NUMBER: SCHM-600-480PCBA
 FILE NAME: SCHM-600-480PCBA-R#03.sch
 BOARD NUMBER: 100-1042
 REV: R#03
 SHEET: 1 OF: 1