

1

2

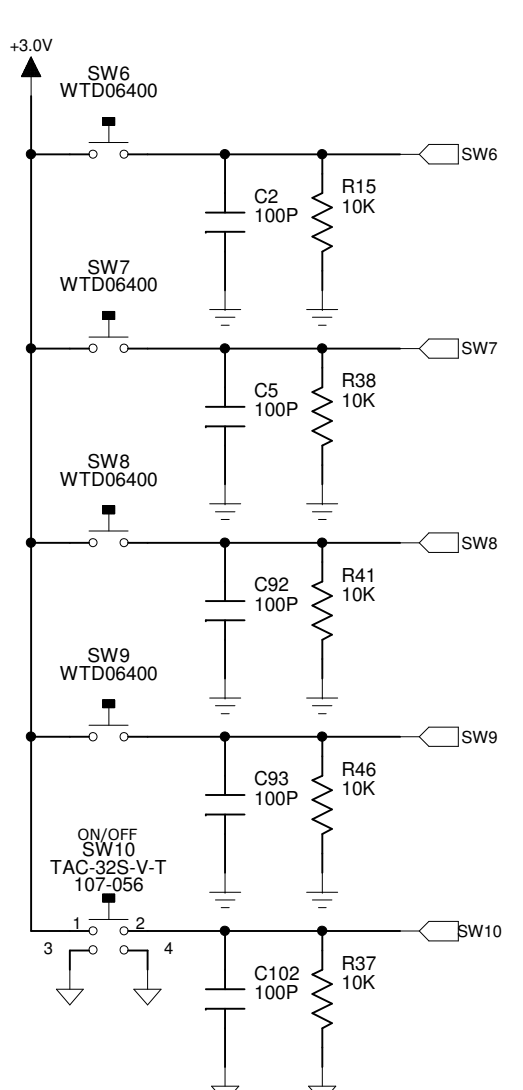
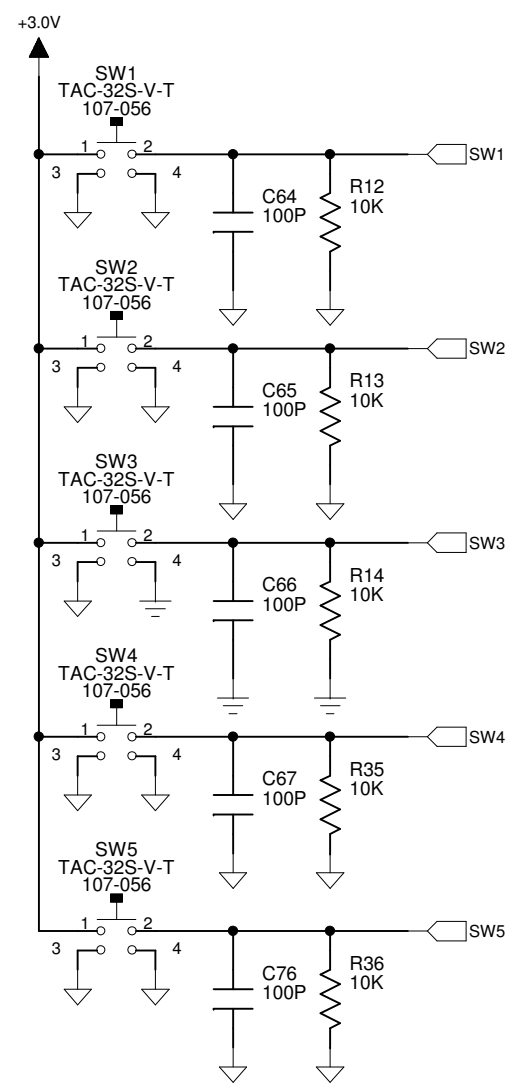
3

4

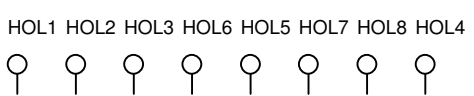
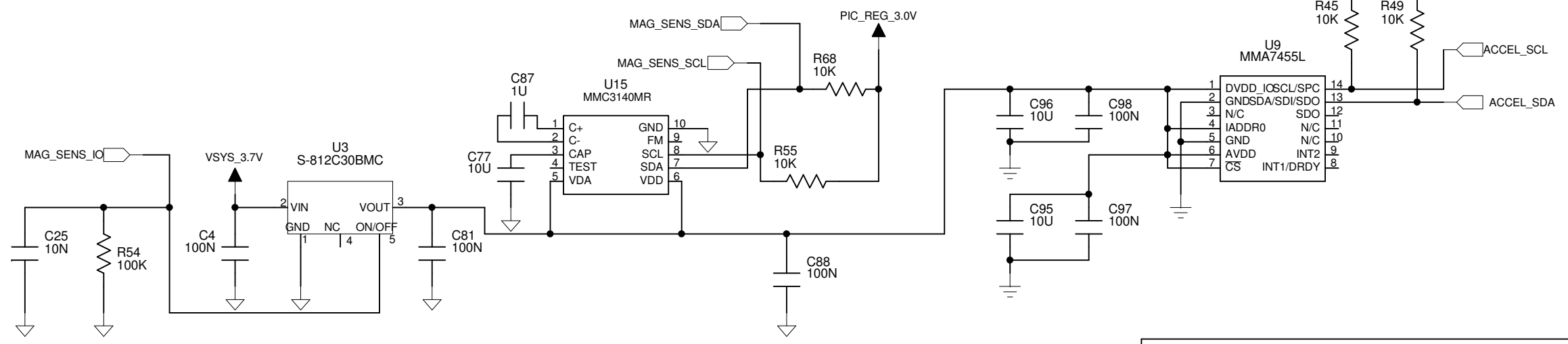
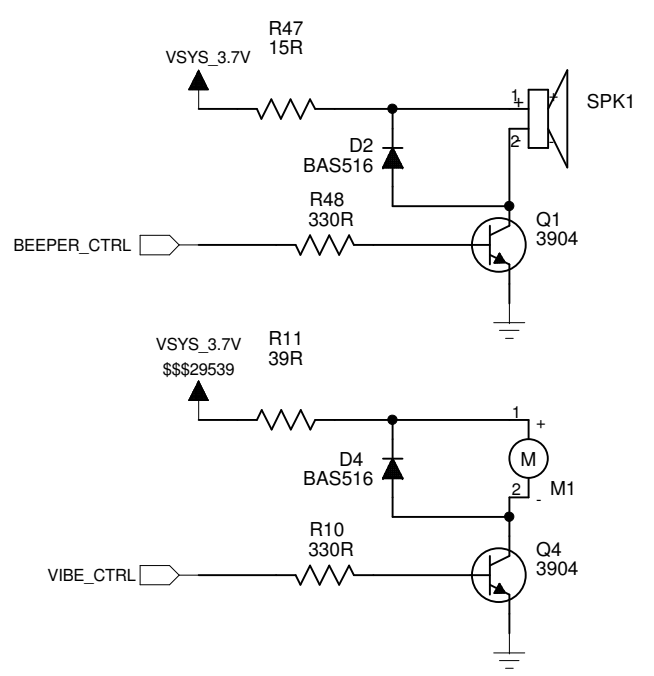
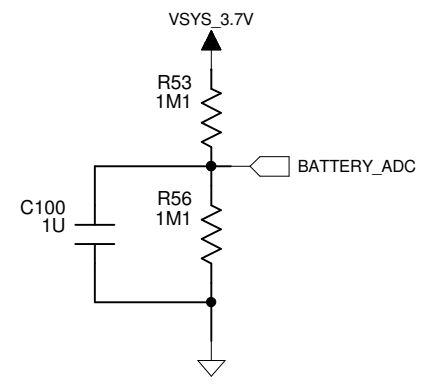
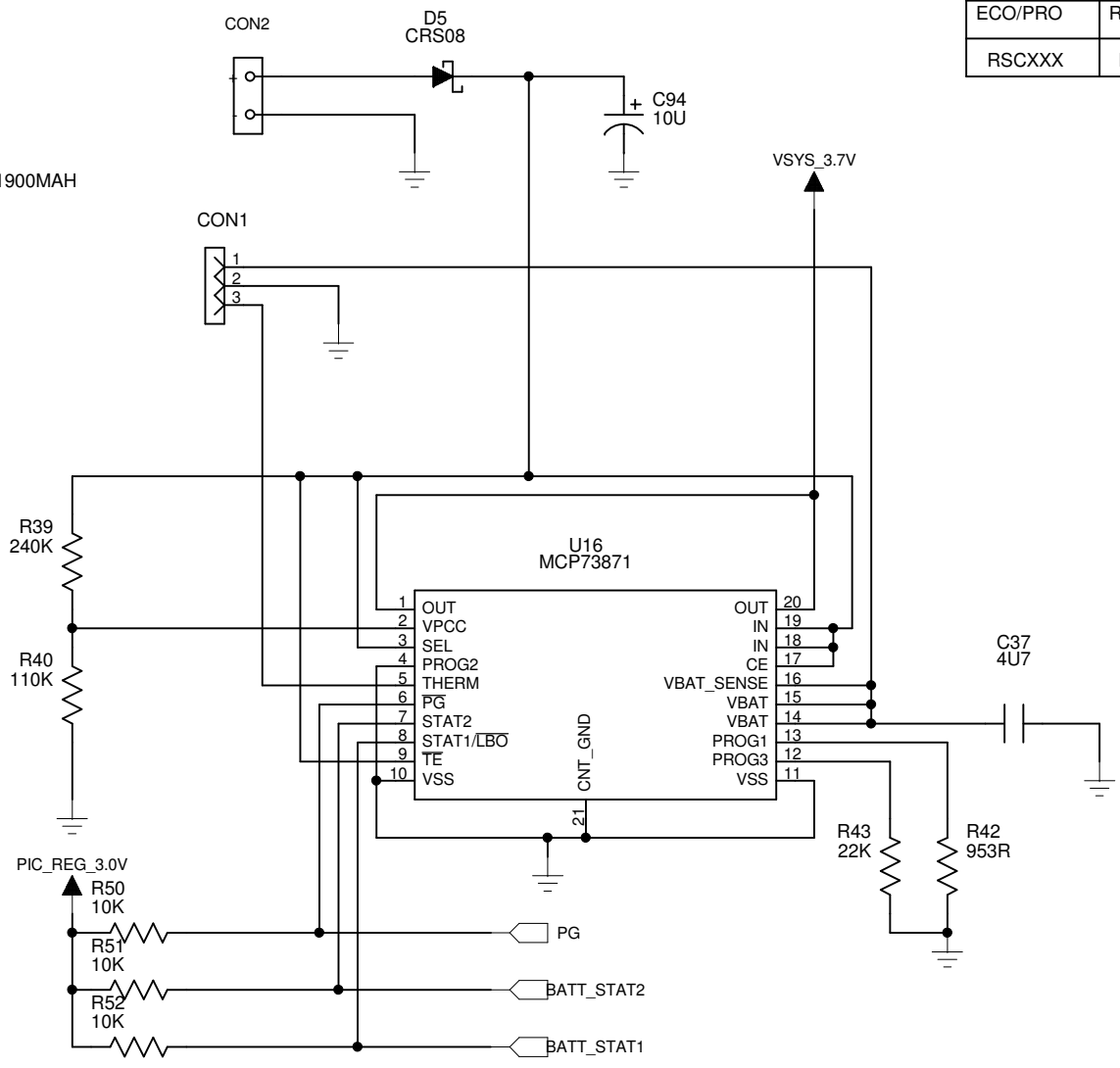
5

6

REVISION RECORD				
ECO/PRO	REV	DESCRIPTION	DATE	BY
RSCXXX	R1	Release to Production	03/31/2011	KRW



4.2V 1900MAH



COMPANY CONFIDENTIAL

<b>RADIO SYSTEMS CORPORATION</b>			
10427 Electric Ave. - Knoxville, TN 37932-3369 - (865)777-5404			
SCHEMATIC TITLE: <b>TEK HANDHELD GPS 150MHZ HAND HELD TRANSCEIVER</b>			
DRAWN: KRW	DATED: 4/13/2010	SIZE: <b>B</b>	RSC NUMBER: <b>SCHM-600-475</b>
ENGINEER: P Johnson	DATED: 3/19/10	FILE NAME: <b>SCHM-600-475_R1.sch</b>	
COPYRIGHT © RSC 2010		BOARD NUMBER: 100-954_R1	SHEET: 1 OF: 5

THIS DRAWING IS THE PROPERTY OF AND PROPRIETARY TO RADIO SYSTEMS CORPORATION. THIS DRAWING AND THE INFORMATION CONTAINED HEREIN SHALL NOT BE REPRODUCED NOR DISCLOSED TO ANYONE EXCEPT THOSE REQUIRING IT'S USE FOR RSC AUTHORIZED PURPOSES. THIS DOCUMENT SHALL BE DESTROYED OR RETURNED TO RSC WHEN NO LONGER REQUIRED FOR THESE PURPOSES.

1

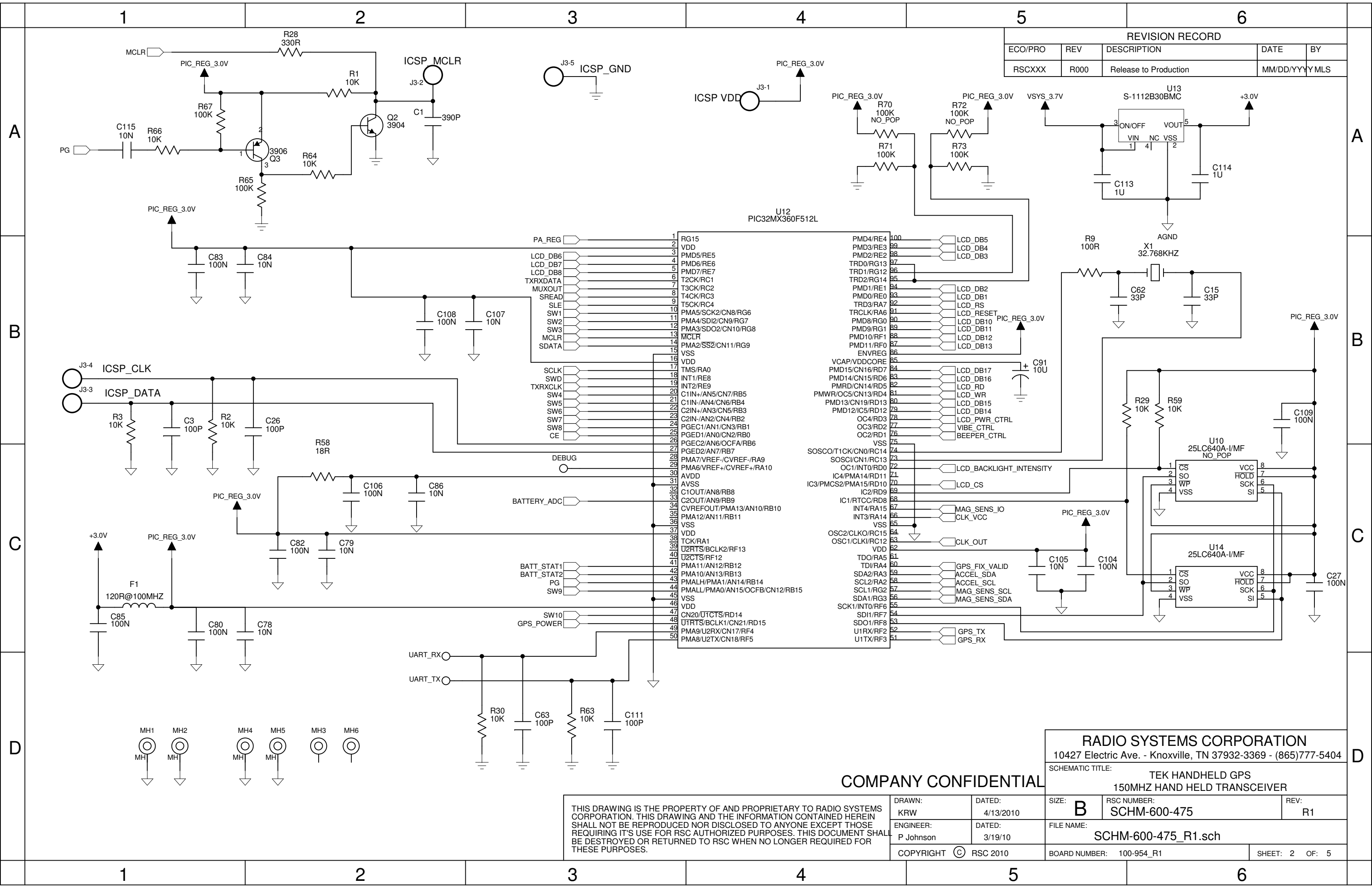
2

3

4

5

6



REVISION RECORD				
ECO/PRO	REV	DESCRIPTION	DATE	BY
RSCXXX	R000	Release to Production	MM/DD/YYYY	MLS

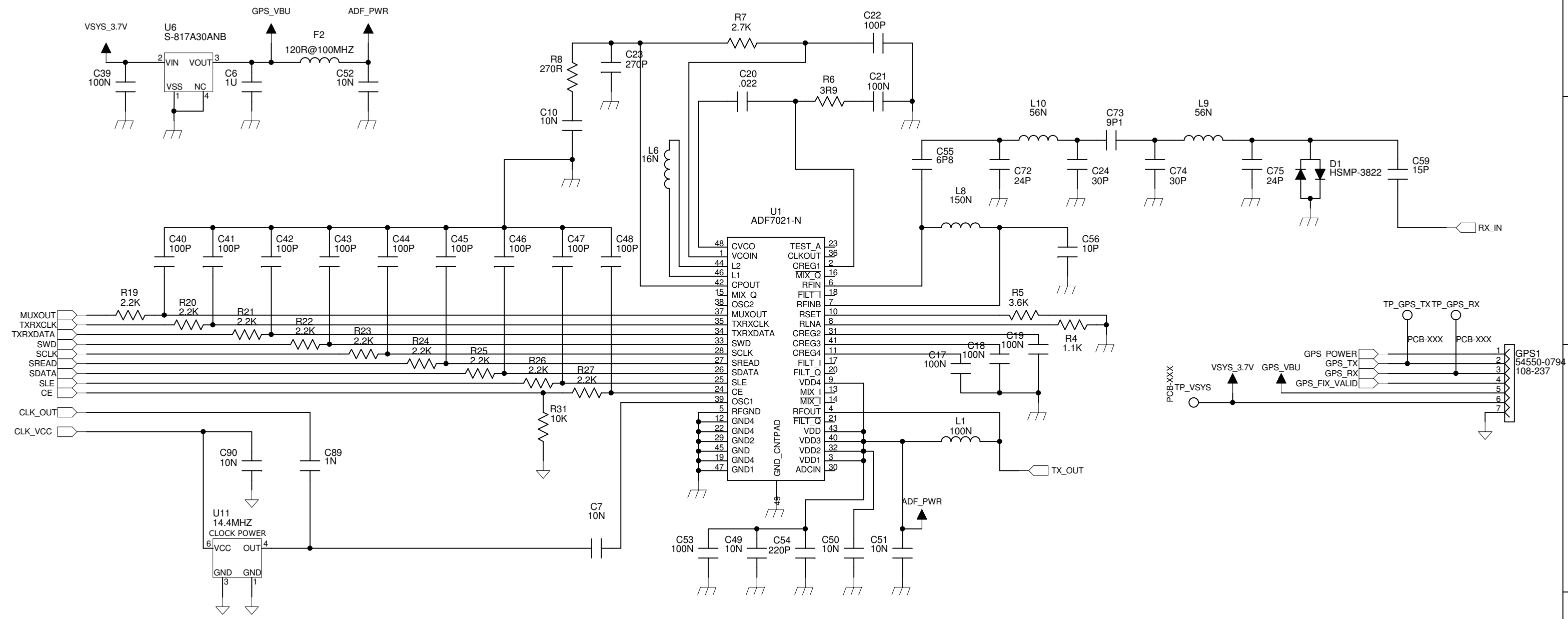
**RADIO SYSTEMS CORPORATION**  
 10427 Electric Ave. - Knoxville, TN 37932-3369 - (865)777-5404

**COMPANY CONFIDENTIAL**

THIS DRAWING IS THE PROPERTY OF AND PROPRIETARY TO RADIO SYSTEMS CORPORATION. THIS DRAWING AND THE INFORMATION CONTAINED HEREIN SHALL NOT BE REPRODUCED NOR DISCLOSED TO ANYONE EXCEPT THOSE REQUIRING IT'S USE FOR RSC AUTHORIZED PURPOSES. THIS DOCUMENT SHALL BE DESTROYED OR RETURNED TO RSC WHEN NO LONGER REQUIRED FOR THESE PURPOSES.

DRAWN: KRW	DATED: 4/13/2010	SIZE: <b>B</b>	RSC NUMBER: SCHM-600-475	REV: R1
ENGINEER: P Johnson	DATED: 3/19/10	FILE NAME: SCHM-600-475_R1.sch		
COPYRIGHT © RSC 2010		BOARD NUMBER: 100-954_R1	SHEET: 2 OF 5	

REVISION RECORD				
ECO/PRO	REV	DESCRIPTION	DATE	BY
RSCXXX	R000	Release to Production	MM/DD/YYYY	MLS



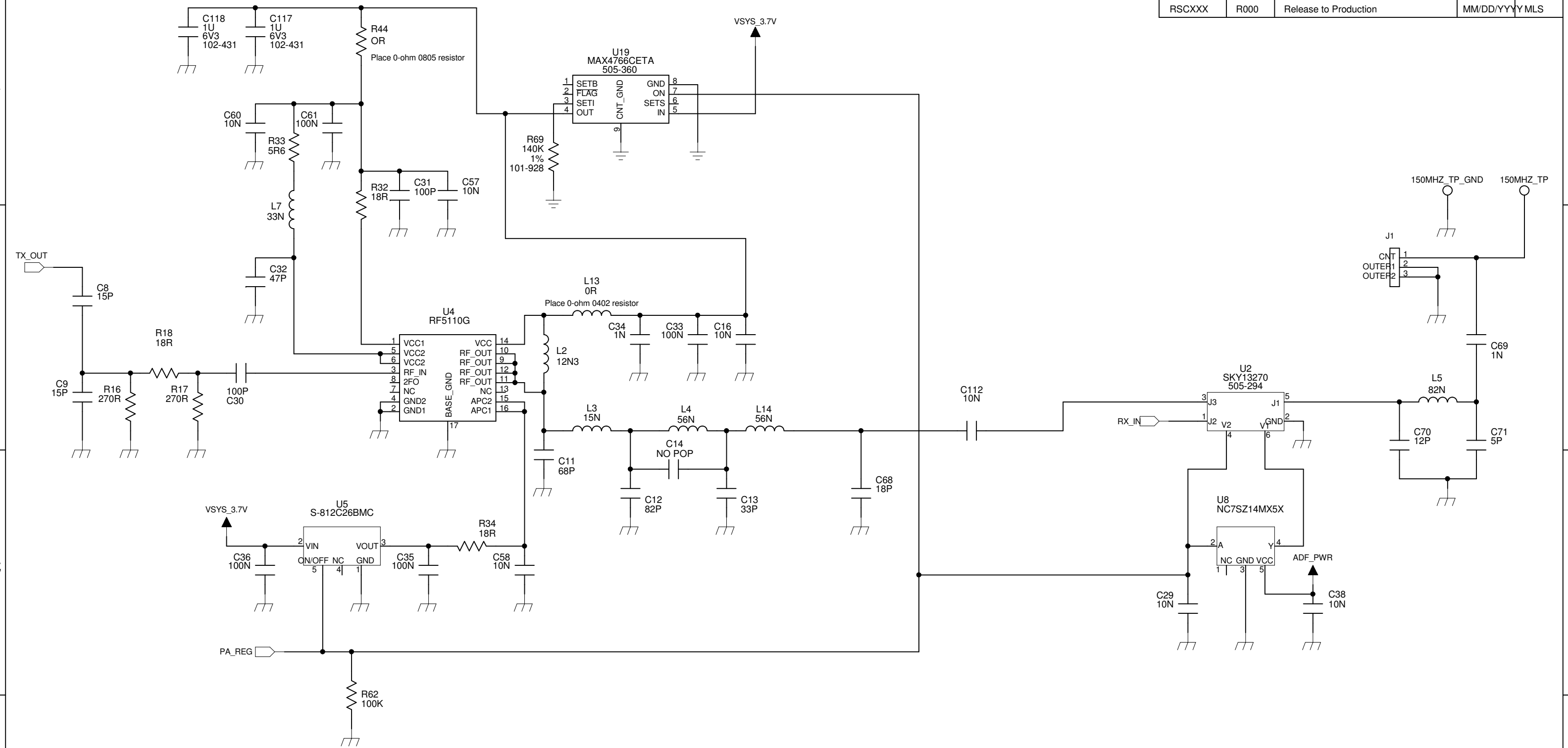
COMPANY CONFIDENTIAL

<b>RADIO SYSTEMS CORPORATION</b>			
10427 Electric Ave. - Knoxville, TN 37932-3369 - (865)777-5404			
SCHEMATIC TITLE: <b>TEK HANDHELD GPS 150MHZ HAND HELD TRANSCEIVER</b>			
SIZE: <b>B</b>	RSC NUMBER: <b>SCHM-600-475</b>	REV: <b>R1</b>	
FILE NAME: <b>SCHM-600-475_R1.sch</b>			
BOARD NUMBER: <b>100-954_R1</b>		SHEET: <b>3</b> OF: <b>5</b>	

THIS DRAWING IS THE PROPERTY OF AND PROPRIETARY TO RADIO SYSTEMS CORPORATION. THIS DRAWING AND THE INFORMATION CONTAINED HEREIN SHALL NOT BE REPRODUCED NOR DISCLOSED TO ANYONE EXCEPT THOSE REQUIRING IT'S USE FOR RSC AUTHORIZED PURPOSES. THIS DOCUMENT SHALL BE DESTROYED OR RETURNED TO RSC WHEN NO LONGER REQUIRED FOR THESE PURPOSES.

DRAWN: **KRW**  
 DATED: **4/13/2010**  
 ENGINEER: **P Johnson**  
 DATED: **3/19/10**  
 COPYRIGHT © **RSC 2009**

REVISION RECORD				
ECO/PRO	REV	DESCRIPTION	DATE	BY
RSCXXX	R000	Release to Production	MM/DD/YYYY	MLS



**COMPANY CONFIDENTIAL**

<b>RADIO SYSTEMS CORPORATION</b>			
10427 Electric Ave. - Knoxville, TN 37932-3369 - (865)777-5404			
SCHEMATIC TITLE:		TEK HANDHELD GPS 150MHZ HAND HELD TRANSCEIVER	
SIZE:	RSC NUMBER:	REV:	
<b>B</b>	SCHM-600-475	R1	
FILE NAME:		SCHM-600-475_R1.sch	
BOARD NUMBER:	100-954_R1		SHEET: 4 OF: 5

THIS DRAWING IS THE PROPERTY OF AND PROPRIETARY TO RADIO SYSTEMS CORPORATION. THIS DRAWING AND THE INFORMATION CONTAINED HEREIN SHALL NOT BE REPRODUCED NOR DISCLOSED TO ANYONE EXCEPT THOSE REQUIRING IT'S USE FOR RSC AUTHORIZED PURPOSES. THIS DOCUMENT SHALL BE DESTROYED OR RETURNED TO RSC WHEN NO LONGER REQUIRED FOR THESE PURPOSES.

DRAWN: KRW  
ENGINEER: P Johnson  
COPYRIGHT © RSC 2009

DATED: 4/13/2010  
DATED: 3/19/10

1

2

3

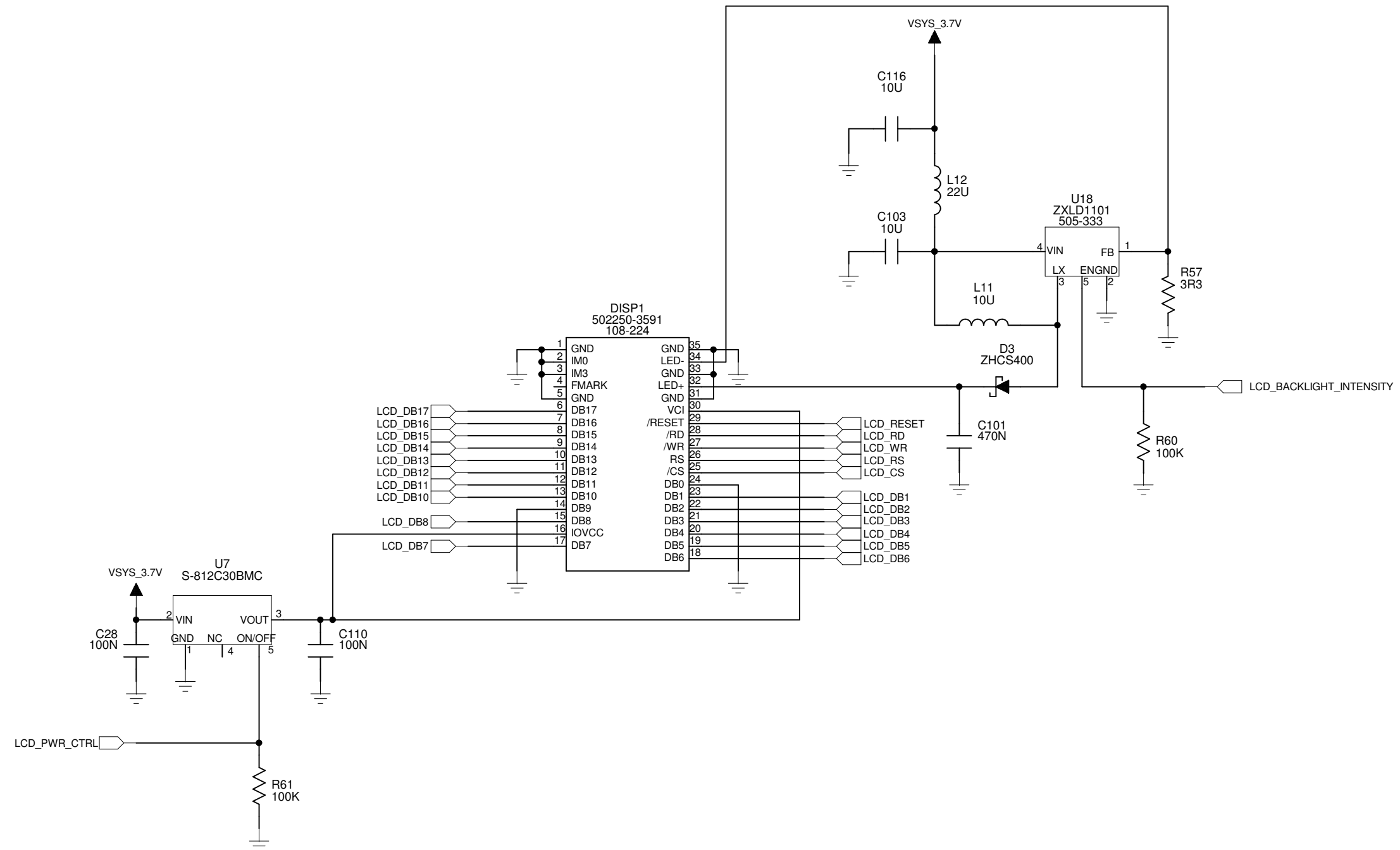
4

5

6

REVISION RECORD

ECO/PRO	REV	DESCRIPTION	DATE	BY
RSCXXX	R000	Release to Production	MM/DD/YYYY	MLS



COMPANY CONFIDENTIAL

**RADIO SYSTEMS CORPORATION**  
 10427 Electric Ave. - Knoxville, TN 37932-3369 - (865)777-5404

SCHEMATIC TITLE: **TEK HANDHELD GPS  
 150MHZ HAND HELD TRANSCEIVER**

THIS DRAWING IS THE PROPERTY OF AND PROPRIETARY TO RADIO SYSTEMS CORPORATION. THIS DRAWING AND THE INFORMATION CONTAINED HEREIN SHALL NOT BE REPRODUCED NOR DISCLOSED TO ANYONE EXCEPT THOSE REQUIRING IT'S USE FOR RSC AUTHORIZED PURPOSES. THIS DOCUMENT SHALL BE DESTROYED OR RETURNED TO RSC WHEN NO LONGER REQUIRED FOR THESE PURPOSES.

DRAWN: KRW  
 ENGINEER: P Johnson  
 DATED: 4/13/2010  
 DATED: 3/19/10  
 COPYRIGHT © RSC 2009

SIZE: **B**  
 RSC NUMBER: **SCHM-600-475**  
 FILE NAME: **SCHM-600-475\_R1.sch**  
 BOARD NUMBER: 100-954\_R1  
 REV: R1  
 SHEET: 5 OF: 5

1

2

3

4

5

6