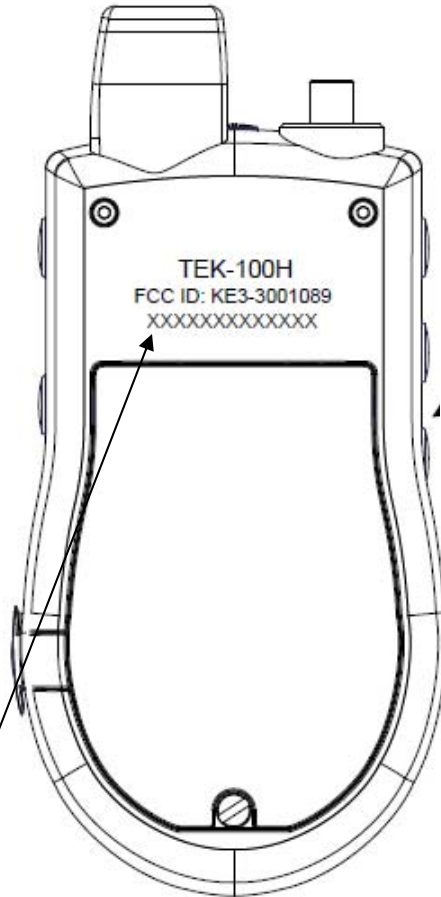


## Appendix D Equipment Label

Radio Systems Sample Label:



THIS DEVICE COMPLIES WITH PART 15 AND 95 OF THE FCC RULES.  
OPERATION IS SUBJECT TO THE FOLLOWING TWO CONDITIONS.  
1) THIS DEVICE MAY NOT CAUSE HARMFUL INTERFERENCE, AND 2)  
THIS DEVICE MUST ACCEPT ANY INTERFERENCE RECEIVED,  
INCLUDING INTERFERENCE THAT MAY CAUSE UNDESIRE  
OPERATION.