



4-Wire Indoor/Outdoor Proximity Reader R910 V4.50

Printed in Canada 09/2023

PARADOX.COM

Technical Specifications

Power Input:	11Vdc to 14.5Vdc
Current Consumption	100mA, with card 115 mA
Frequency:	Exciter field 125 KHz pulse modulated
Operating Temperature:	-35°C (-31°F) to +65°C (149°F)
Operating Relative Humidity:	5 - 90%
Output Formats:	RS-485
Cable Distance:	300m (1000 ft.)
Cables:	4-wire Cables (twisted pair recommended)
Compatibilities:	Access Control Module (ACM) Series

All specifications are subject to change without notice.

Tricolour LED Display

The R910 reader includes a Tricolour LED display (red, green and amber) that is used to indicate the reader's status. The LED's intensity is adjusted through the Access Control Module (ACM).

Audible Tone

The R910 reader includes a built in beeper with a frequency that is adjusted through the ACM.

Weather Resistant

Mount indoors or outdoors.

Error Display

All R910 readers display communication errors between the reader and the ACM by flashing the amber LED every second.

Firmware Upgrade

Connect the CV4USB as shown in Figure 2. Refer to the CV4USB installation manual for additional information.

Mounting on Metal

Metal may decrease the read range. The R910 card reader can be mounted on metal but do not surround it by metal. If the reader must be installed in a metal enclosure, ensure that the face of the card reader is not covered and that there's at least 4cm (1.6") between the card reader and the metal on all sides.

Warranty

For complete warranty information on this product please refer to the Limited Warranty Statement found on the website www.paradox.com/terms. Your use of the Paradox product signifies your acceptance of all warranty terms and conditions

© 2023 Paradox Security Systems Ltd. All rights reserved. Specifications may change without prior notice. One or more of the following US patents may apply: 7046142, 6215399, 6111256, 6104319, 5920259, 5886632, 5721542, 5287111, 5119069, 5077549 and RE39406.

Digiplex EVO is a trademarks or registered trademark of Paradox Security Systems Ltd. or its affiliates in Canada, the United States and/or other countries. For the latest information on products approvals, such as UL and CE, please visit www.paradox.com.

Figure 1: 4-wire Connection

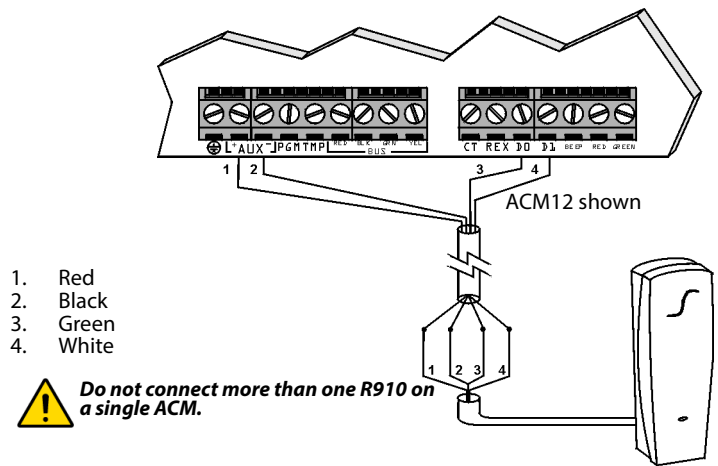
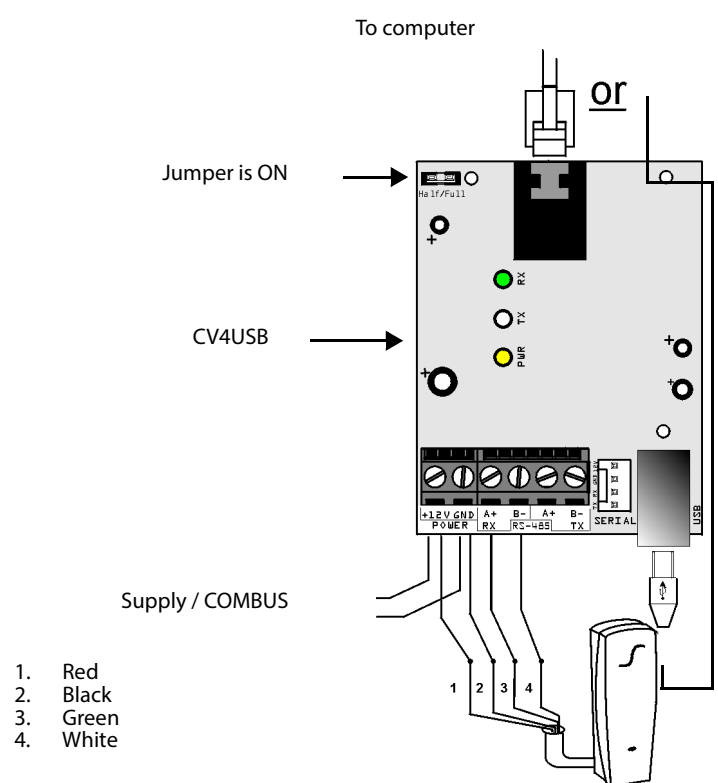


Figure 2: Firmware Upgrade



FCC and Industry Canada Compliance Statement

This device complies with FCC Rules Part 15 and with Industry Canada license exempt RSS standard(s). Operation is subject to two conditions:

- This device may not cause harmful interference.
- This device must accept any interference that may be received or that may cause undesired operation.

Le présent appareil est conforme aux CNR d'Industrie Canada applicables aux appareils radio exempts de licence. L'exploitation est autorisée aux deux conditions suivantes :

- L'appareil ne doit pas produire de brouillage, et
- L'utilisateur de l'appareil doit accepter tout brouillage radioélectrique subi, même si le brouillage est susceptible d'en compromettre le fonctionnement.

This Class B digital apparatus complies with Canadian ICES-003.
 Cet appareil numérique de la classe B est conforme à la norme NMB-003 du Canada.
 FCC ID: KDYR910
 IC: 2438A-R910

FCC NOTE
 This equipment has been tested and found to comply with the limits for a Class B digital device, pursuant to Part 15 of the FCC Rules. These limits are designed to provide reasonable protection against harmful interference in a residential installation. This equipment generates, uses and can radiate radio frequency energy and, if not installed and used in accordance with the instructions, may cause harmful interference to radio communications. However, there is no guarantee that interference will not occur in a particular installation. If this equipment does cause harmful interference to radio or television reception, which can be determined by turning the equipment off and on, the user is encouraged to try to correct the interference by one or more of the following measures:

- Reorient or relocate the receiving antenna.
- Increase the separation between the equipment and the receiver.
- Connect the equipment into an outlet different from that to which the receiver is connected.
- Consult the dealer or an experienced radio/TV technician for help.

Changes or modifications to this equipment not expressly approved by the party responsible for compliance (Paradox Security Systems Ltd.) could void the user's authority to operate the equipment.