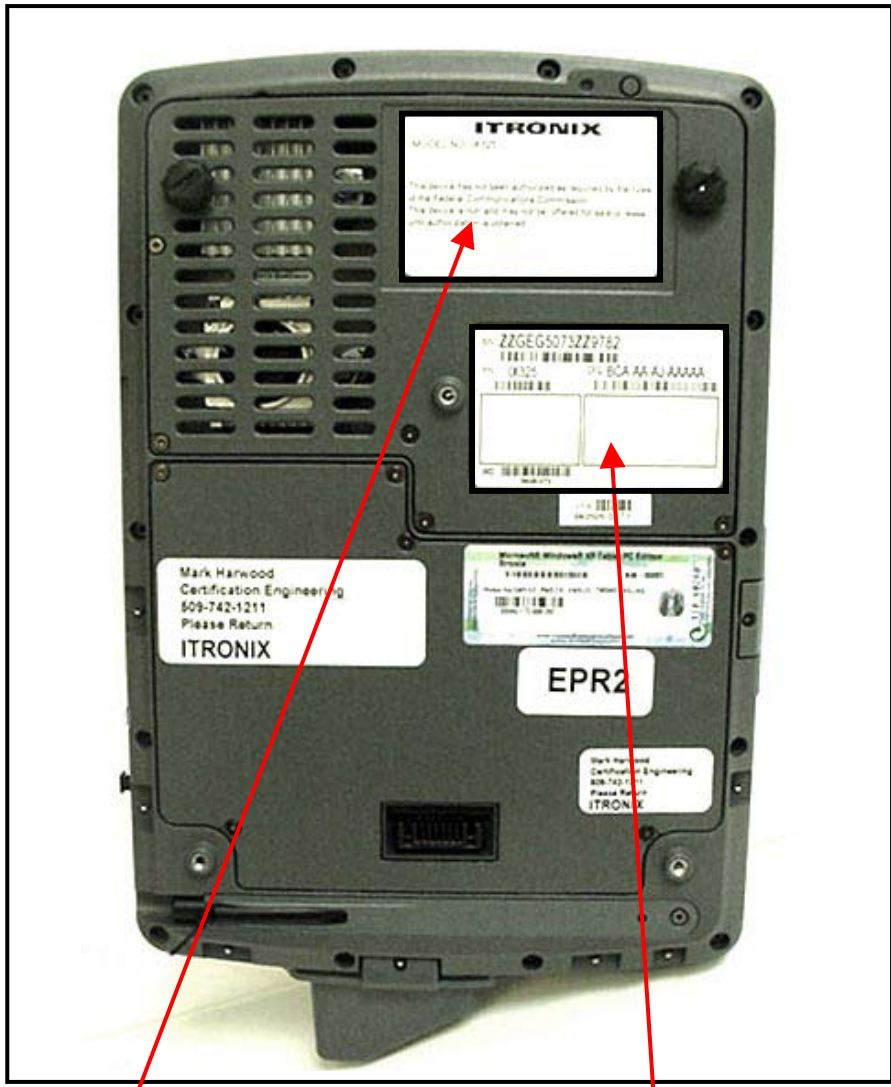


**FCC ID LABEL & LOCATION**

**LABELING REQUIREMENTS PER §2.925**

The label(s) shall be permanently affixed at a conspicuous location on the device.



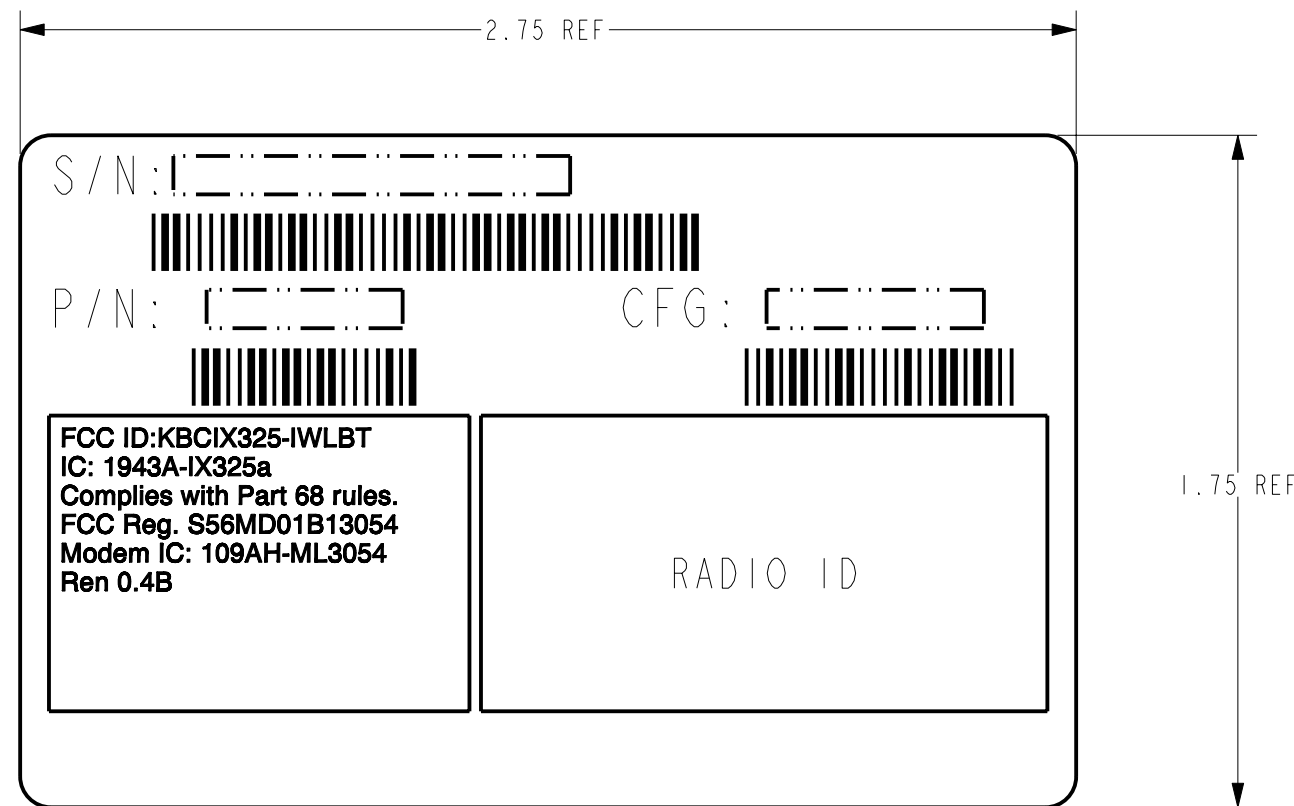
**SEE NEXT PAGE(S) FOR  
PART 15(B) DoC LABEL**

**SEE NEXT PAGE(S)  
FOR FCC ID LABEL**

MODEL	PART NUMBER	OBJECT NAME	REV	VER	REL
	26-0766-001	LBL-WLAN-BT-T8D	***	***	***
DRAWING	26-0766-001	26-0766-001.01.LBL-WLN-BT-T8D	-		

NOTES: (UNLESS OTHERWISE SPECIFIED).

- FOR LABEL MANUFACTURE SEE ITRONIX DRAWING 26-0637-000.
- PART(S) SHIPPED TO ITRONIX SHALL BE PACKAGED FOR SHIPMENT AND/OR STORAGE IN A CLEAN PROTECTIVE CONTAINER PER ITRONIX PACKAGING AND SHIPPING SPEC. QE3-002. IF A BAG IS USED IT MUST BE NON-STATIC GENERATING.



CONFIGURATION	
RADIO	MODEM
INTEL PRO 2200BG	STANDARD
BLUE TOOTH	

ZONE	REV.	ECO	BY	DESCRIPTION OF CHANGE	APP.	DATE
-	I	MH	JMD	PROTOTYPE RELEASE		
DRAFTER				DATE		
J. DERTING				8-5-05		
CHECKER				DATE		
ELEC. ENG				DATE		
MECH. ENG				DATE		
MFG. ENG				DATE		
DESCRIPTION				LBL, IX325, WLAN, BT		
SIZE		DWG. NO				
B		26-0766-001				
SCALE				SHEET		REV
2.000				1 OF 1		I

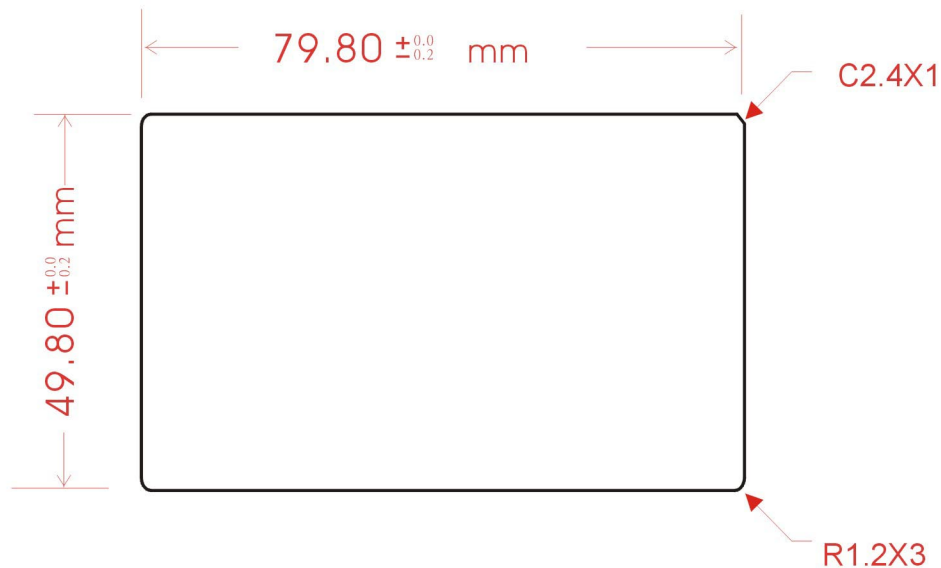
UNLESS OTHERWISE SPECIFIED, DIMENSIONS IN INCHES DO NOT SCALE DRAWING

NOTICE OF PROPRIETARY INFORMATION CONTAINED HEREIN IS PROPRIETARY AND IS PROPERTY OF ITRONIX CORP. WHERE FURNISHED WITH A PROPOSAL, THE RECIPIENT SHALL USE IT SOLELY TO EVALUATE THE PROPOSAL, WHERE FURNISHED TO A CUSTOMER IT SHALL BE USED SOLELY FOR PURPOSES OF INSPECTION INSTALLATION, OR MAINTENANCE. WHERE FURNISHED TO A SUPPLIER, IT SHALL BE USED SOLELY IN THE PERFORMANCE OF THE WORK CONTRACTED FOR BY THIS COMPANY. THE INFORMATION SHALL NOT BE USED OR DISCLOSED BY THE RECIPIENT FOR ANY OTHER PURPOSE WHATSOEVER.

.TOL. EXCEPT AS NOTED  
.XX ± 0.01 INCH  
.XXX ± 0.005 INCH  
ANG. = 1.0°

THIRD ANGLE PROJECTION

**ITRONIX**  
S.801 STEVENS, P.O. BOX 179  
SPOKANE, WA 99210



**ITRONIX<sup>®</sup>**

MODEL NO. : IX 325  
DC : 20V  $\approx$  3.0A

**FC** Tested To Comply  
With FCC Standards  
FOR HOME OR OFFICE USE








C LR78776 US

This device complies with Part 15 of the FCC Rules. Operation is subject to the following two conditions: (1) this device may not cause harmful interference, and (2) this device must accept any interference received, including interference that may cause undesired operation.

This Class B digital apparatus complies with Canadian ICES-003.  
Cet appareil numérique de la classe B est conforme a la norme NMB-003 du Canada. 63+001190+70

**ASSEMBLED IN THE USA FROM DOMESTIC AND FOREIGN COMPONENTS**

Draw No.: E4623

	Title: <p style="text-align: center;"><i>FCC Label</i></p> <p style="text-align: center;"><i>for T 8 Lower Cover</i></p>	Model: <p style="text-align: center;">T 8</p>	Scale: <p style="text-align: center;">1:1</p>	Sheet: <p style="text-align: center;"><u>1</u> of <u>1</u></p>
	Material: <p style="text-align: center;">PC , Thickness 0.5mm</p>	Artwork Number: 	Part Number: <p style="text-align: center;">63+001190+70</p>	Date: <p style="text-align: center;">03 / 23 05'</p>
<i>Color Requirement:</i> <p style="text-align: center;">Background: Silver    Text: Black</p>	Chief Designer: 	Designer: <p style="text-align: center;">XXXXXX</p>		