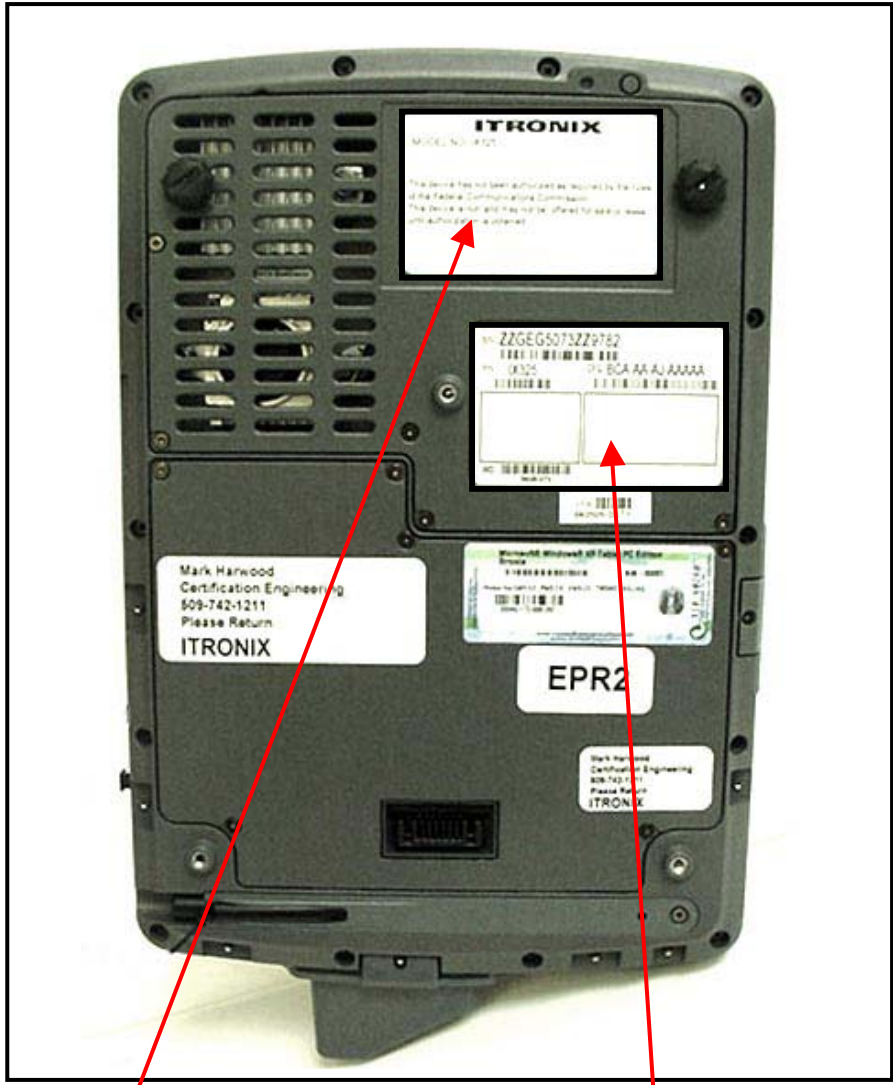


FCC ID LABEL & LOCATION

LABELING REQUIREMENTS PER §2.925

The label(s) shall be permanently affixed at a conspicuous location on the device.



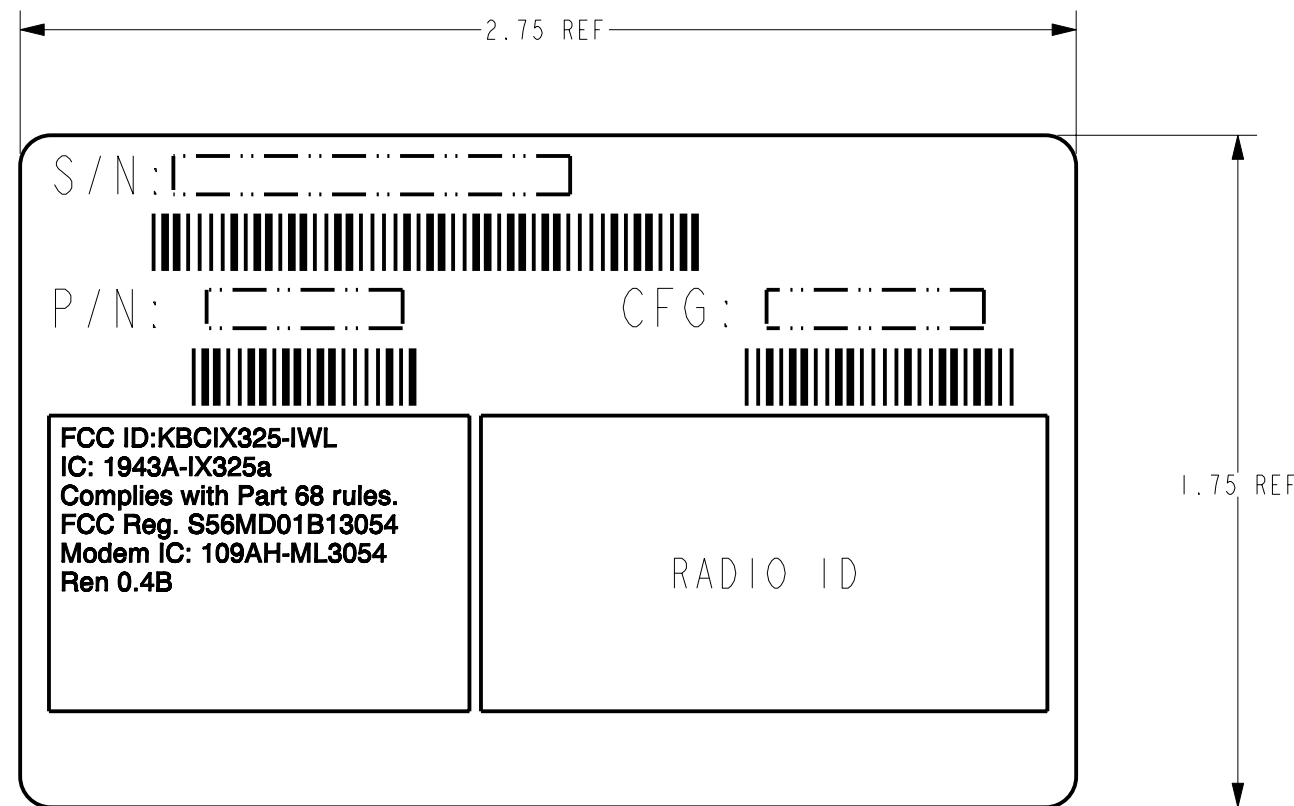
**SEE NEXT PAGE(S) FOR
PART 15(B) DoC LABEL**

**SEE NEXT PAGE(S)
FOR FCC ID LABEL**

MODEL	PART NUMBER	OBJECT NAME	REV	VER	REL
	26-0769-001	LBL-INTEL-WLAN-T80	***	***	***
DRAWING	26-0769-001	26-0769-001.01.LBL-IWLN-T80	-		

NOTES: (UNLESS OTHERWISE SPECIFIED).

- FOR LABEL MANUFACTURE SEE ITRONIX DRAWING 26-0637-000.
- PART(S) SHIPPED TO ITRONIX SHALL BE PACKAGED FOR SHIPMENT AND/OR STORAGE IN A CLEAN PROTECTIVE CONTAINER PER ITRONIX PACKAGING AND SHIPPING SPEC. QE3-002. IF A BAG IS USED IT MUST BE NON-STATIC GENERATING.



CONFIGURATION	
RADIO	MODEM
INTEL PRO 2200BG	STANDARD

-	I	MH	JMD	PROTOTYPE RELEASE		
ZONE	REV.	ECO	BY	DESCRIPTION OF CHANGE	APP.	DATE

UNLESS OTHERWISE SPECIFIED, DIMENSIONS IN INCHES
DO NOT SCALE DRAWING

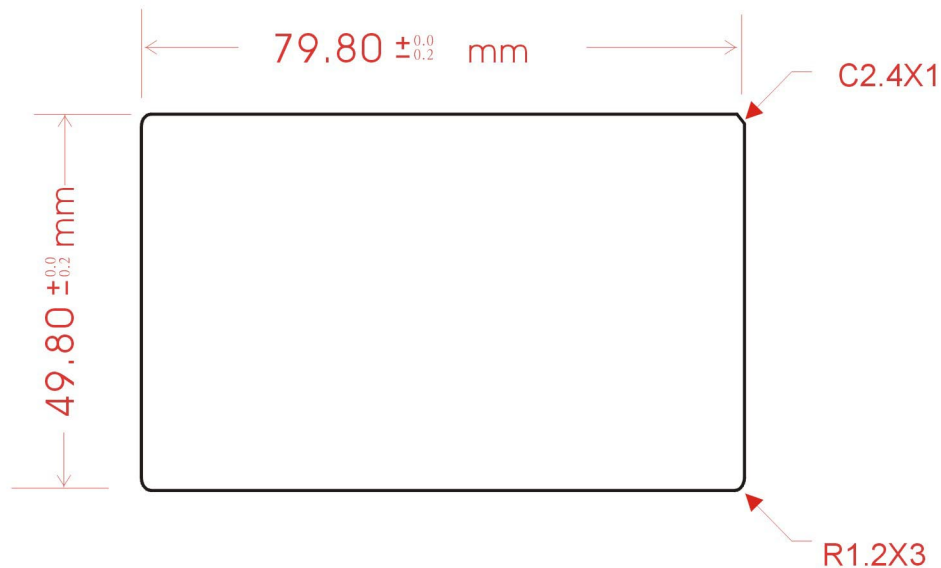
NOTICE OF PROPRIETARY INFORMATION
 INFORMATION CONTAINED HEREIN IS PROPRIETARY AND IS PROPERTY OF ITRONIX CORP. WHERE FURNISHED WITH A PROPOSAL, THE RECIPIENT SHALL USE IT SOLELY TO EVALUATE THE PROPOSAL, WHERE FURNISHED TO A CUSTOMER IT SHALL BE USED SOLELY FOR PURPOSES OF INSPECTION INSTALLATION, OR MAINTENANCE. WHERE FURNISHED TO A SUPPLIER, IT SHALL BE USED SOLELY IN THE PERFORMANCE OF THE WORK CONTRACTED FOR BY THIS COMPANY. THE INFORMATION SHALL NOT BE USED OR DISCLOSED BY THE RECIPIENT FOR ANY OTHER PURPOSE WHATSOEVER.

THIRD ANGLE PROJECTION

ITRONIX
 S.801 STEVENS, P.O. BOX 179
 SPOKANE, WA 99210

.TOL. EXCEPT AS NOTED .XX ± 0.01 INCH .XXX ± 0.005 INCH ANG. = 1.0°	DRAFTER J.DERTING	DATE 8-5-05
	CHECKER	DATE
	ELEC. ENG	DATE
	MECH. ENG	DATE
	MFG. ENG	DATE

DESCRIPTION LBL, IX325, WLAN	
SIZE B	DWG. NO 26-0769-001
SCALE 2.000	SHEET 1 OF 1
	REV 1



ITRONIX[®]

MODEL NO. : IX 325
DC : 20V \approx 3.0A

FC Tested To Comply
With FCC Standards
FOR HOME OR OFFICE USE

C LR78776 US

This device complies with Part 15 of the FCC Rules. Operation is subject to the following two conditions: (1) this device may not cause harmful interference, and (2) this device must accept any interference received, including interference that may cause undesired operation.

This Class B digital apparatus complies with Canadian ICES-003.
Cet appareil numérique de la classe B est conforme a la norme NMB-003 du Canada. 63+001190+70

ASSEMBLED IN THE USA FROM DOMESTIC AND FOREIGN COMPONENTS

Draw No.: E4623

	Title: <i>FCC Label</i> <i>for T 8 Lower Cover</i>	Model: <i>T 8</i>	Scale: <i>1:1</i>	Sheet: <i>1 of 1</i>
	<i>Color Requirement:</i> Background: Silver Text: Black	Material: <i>PC , Thickness 0.5mm</i>	Artwork Number: 	Part Number: <i>63+001190+70</i>
Chief Designer:		Designer: <i>XXXXXX</i>	Revision: <i>0</i>	