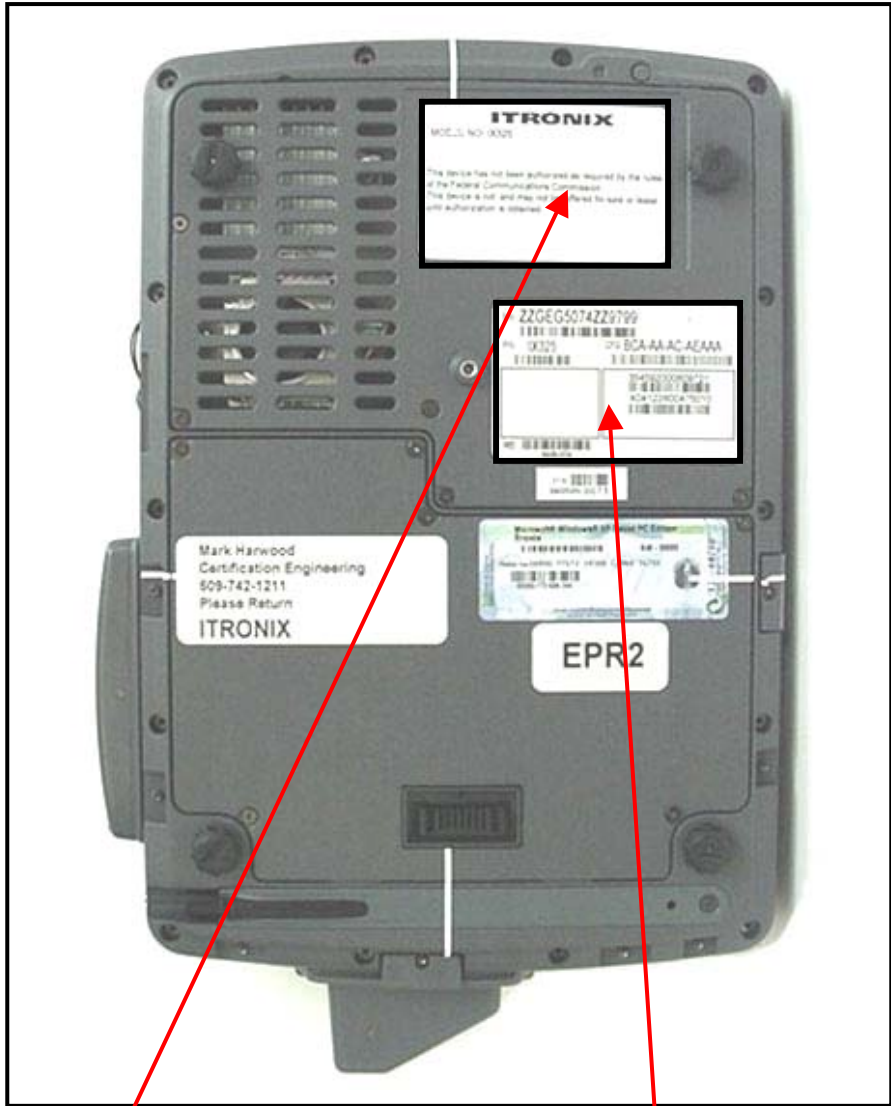


FCC ID LABEL & LOCATION

LABELING REQUIREMENTS PER §2.925

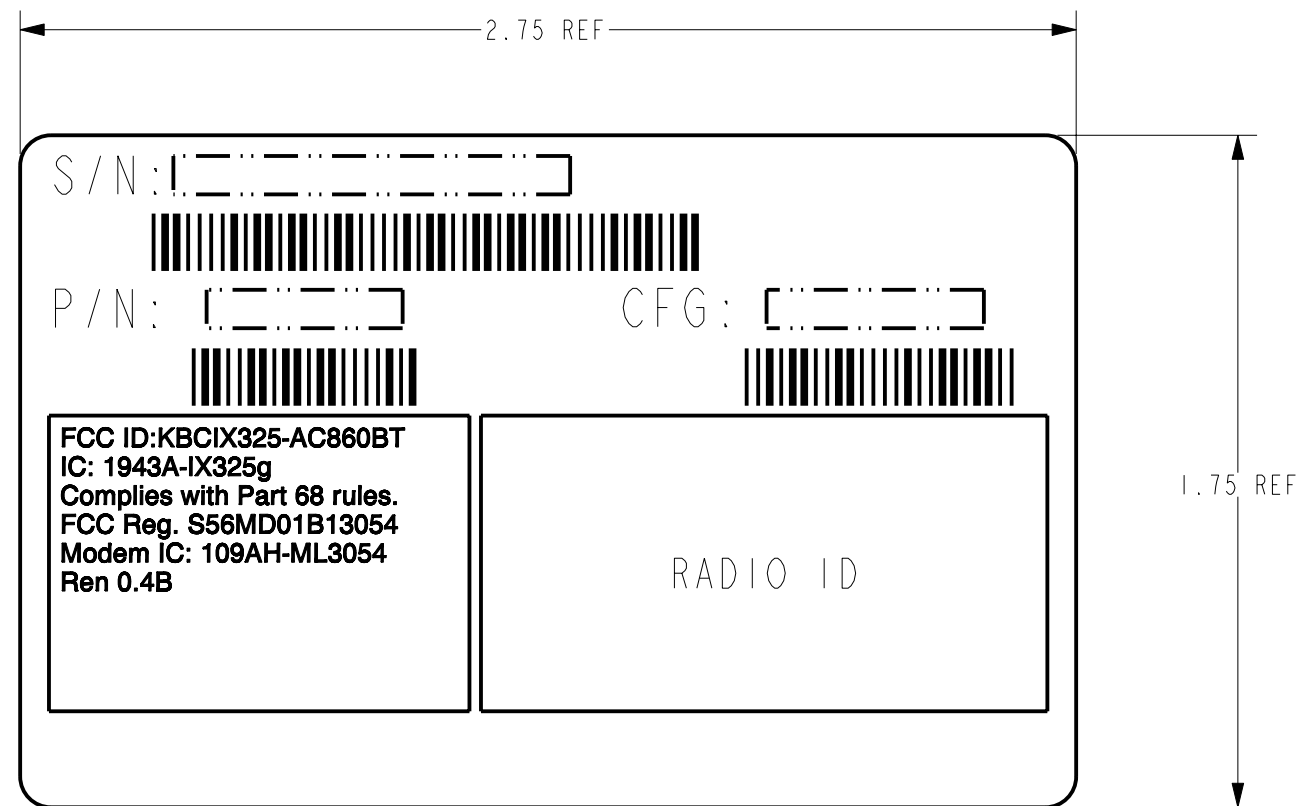
The label(s) shall be permanently affixed at a conspicuous location on the device.



**SEE NEXT PAGE(S) FOR
PART 15(B) DoC LABEL**

**SEE NEXT PAGE(S)
FOR FCC ID LABEL**

MODEL	PART NUMBER	OBJECT NAME	REV	VER	REL
	26-0778-001	26-0921-001R	***	***	***
DRAWING	26-0778-001	26-0921-001R.1.LBL-860-BT	-		



NOTES:(UNLESS OTHERWISE SPECIFIED).

- FOR LABEL MANUFACTURE SEE ITRONIX DRAWING 26-0637-000R.
- THIS PART/ASSEMBLY SHALL MEET ROHS COMPLIANCE REQUIREMENTS AS SPECIFIED IN: DIRECTIVE 2002/95/EC OF THE EUROPEAN PARLIAMENT AND OF THE COUNCIL OF 27 JANUARY 2003 OF THE RESTRICTION OF THE USE OF CERTAIN HAZARDOUS SUBSTANCES IN ELECTRICAL AND ELECTRONIC EQUIPMENT.
- PART(S) SHIPPED TO ITRONIX SHALL BE PACKAGED FOR SHIPMENT AND/OR STORAGE IN A CLEAN PROTECTIVE CONTAINER PER ITRONIX PACKAGING AND SHIPPING SPEC. QAWI.05.023. IF A BAG IS USED IT MUST BE NON-STATIC GENERATING.

CONFIGURATION	
RADIO	MODEM
AC860	STANDARD
BLUE TOOTH	

ZONE	REV.	ECO	BY	DESCRIPTION OF CHANGE	APP.	DATE
-	I	MH	KM	PROTOTYPE RELEASE		
				DESCRIPTION		
				LBL, IX325, AC860, BT		
				SIZE	DWG. NO	
				B	26-0921-001R	
				SCALE	SHEET	
				2.000	1 OF 1	
					REV	
					I	

UNLESS OTHERWISE SPECIFIED, DIMENSIONS IN INCHES DO NOT SCALE DRAWING

NOTICE OF PROPRIETARY INFORMATION CONTAINED HEREIN IS PROPRIETARY AND IS PROPERTY OF ITRONIX CORP. WHERE FURNISHED WITH A PROPOSAL, THE RECIPIENT SHALL USE IT SOLELY TO EVALUATE THE PROPOSAL, WHERE FURNISHED TO A CUSTOMER IT SHALL BE USED SOLELY FOR PURPOSES OF INSPECTION INSTALLATION, OR MAINTENANCE. WHERE FURNISHED TO A SUPPLIER, IT SHALL BE USED SOLELY IN THE PERFORMANCE OF THE WORK CONTRACTED FOR BY THIS COMPANY. THE INFORMATION SHALL NOT BE USED OR DISCLOSED BY THE RECIPIENT FOR ANY OTHER PURPOSE WHATSOEVER.

.TOL. EXCEPT AS NOTED
.XX ± 0.01 INCH
.XXX ± 0.005 INCH
ANG. = 1.0°

THIRD ANGLE PROJECTION

ITRONIX
12825 E MIRABEAU PARKWAY
SPOKANE VALLEY, WA 99216-1464

DRAFTER
K. MORDEN

DATE
9-29-06

CHECKER

DATE

ELEC. ENG

DATE

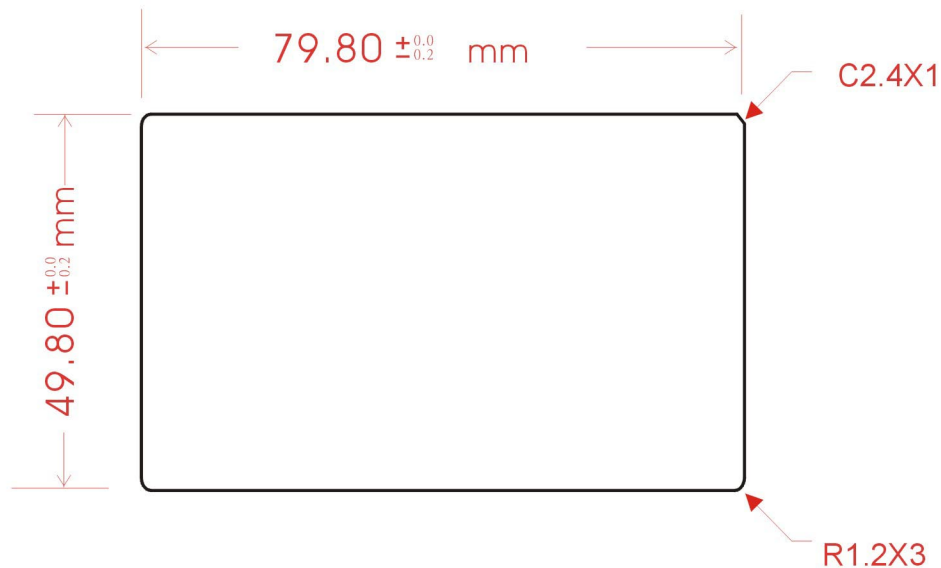
MECH. ENG

DATE

MFG. ENG

DATE

A



ITRONIX[®]

MODEL NO. : IX 325
DC : 20V === 3.0A

FC Tested To Comply
With FCC Standards
FOR HOME OR OFFICE USE






C LR78776 US

This device complies with Part 15 of the FCC Rules. Operation is subject to the following two conditions: (1) this device may not cause harmful interference, and (2) this device must accept any interference received, including interference that may cause undesired operation.

This Class B digital apparatus complies with Canadian ICES-003.
Cet appareil numérique de la classe B est conforme a la norme NMB-003 du Canada. 63+001190+70

ASSEMBLED IN THE USA FROM DOMESTIC AND FOREIGN COMPONENTS

Draw No.: E4623

	Title: <p style="text-align: center;"><i>FCC Label</i></p> <p style="text-align: center;"><i>for T 8 Lower Cover</i></p>	Model: <p style="text-align: center;">T 8</p>	Scale: <p style="text-align: center;">1:1</p>	Sheet: <p style="text-align: center;"><u>1</u> of <u>1</u></p>
	Material: <p style="text-align: center;">PC , Thickness 0.5mm</p>	Artwork Number: 	Part Number: <p style="text-align: center;">63+001190+70</p>	Date: <p style="text-align: center;">03 / 23 05'</p>
<i>Color Requirement:</i> Background: Silver Text: Black	Chief Designer: 	Designer: <p style="text-align: center;">XXXXXX</p>	Revision: <p style="text-align: center;">0</p>	