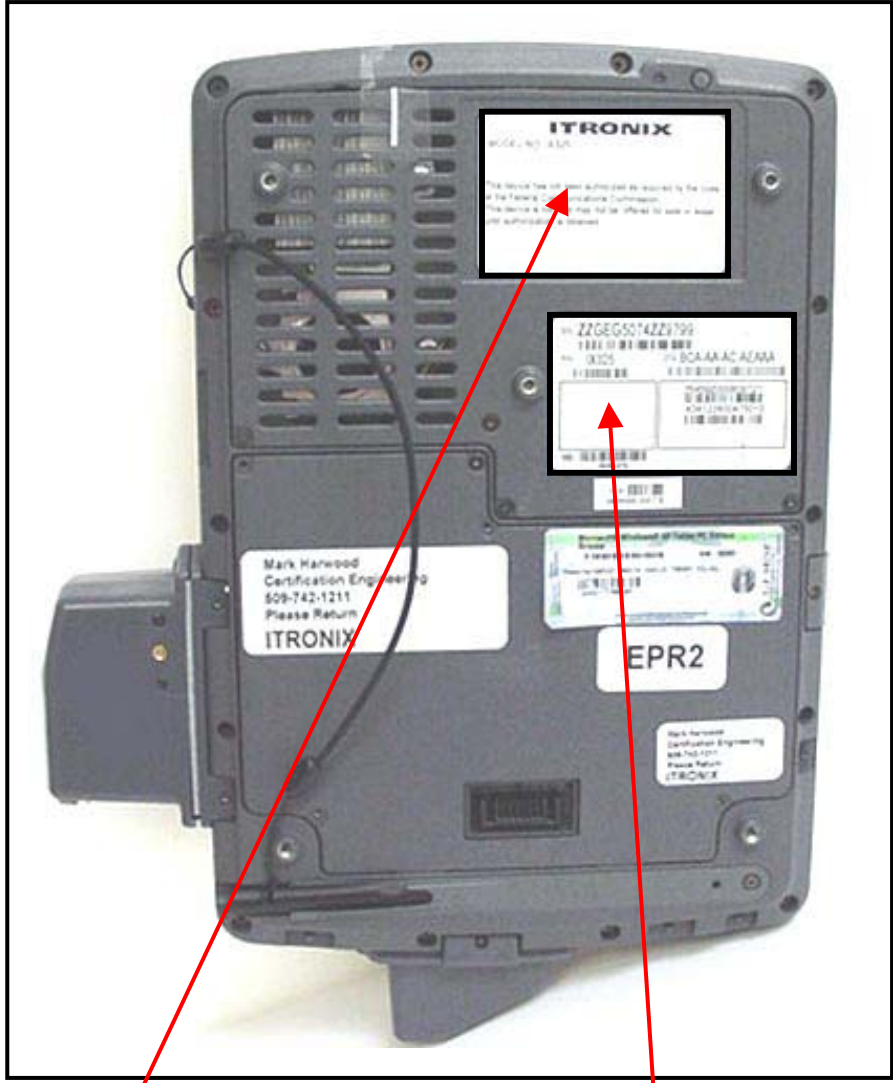


**FCC ID LABEL & LOCATION**

**LABELING REQUIREMENTS PER §2.925**

The label(s) shall be permanently affixed at a conspicuous location on the device.



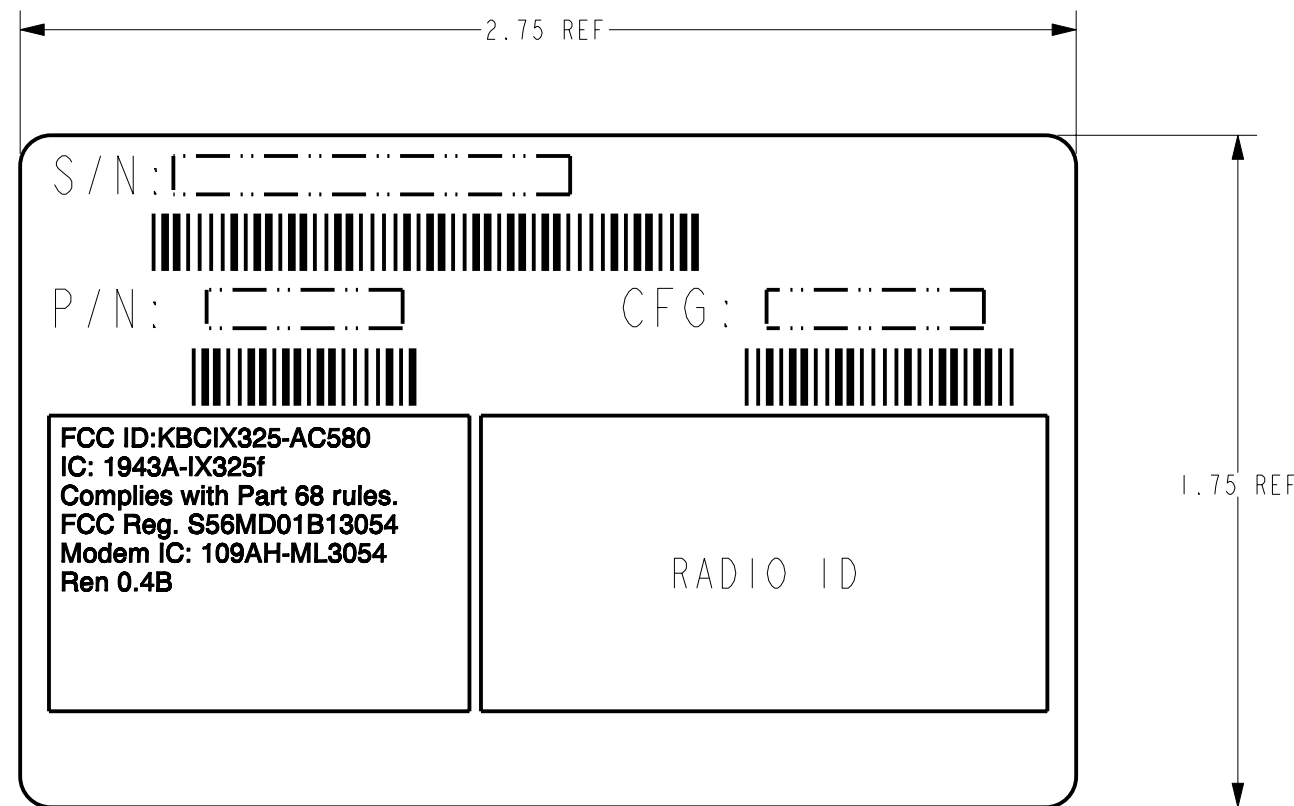
**SEE NEXT PAGE(S) FOR  
PART 15(B) DoC LABEL**

**SEE NEXT PAGE(S)  
FOR FCC ID LABEL**

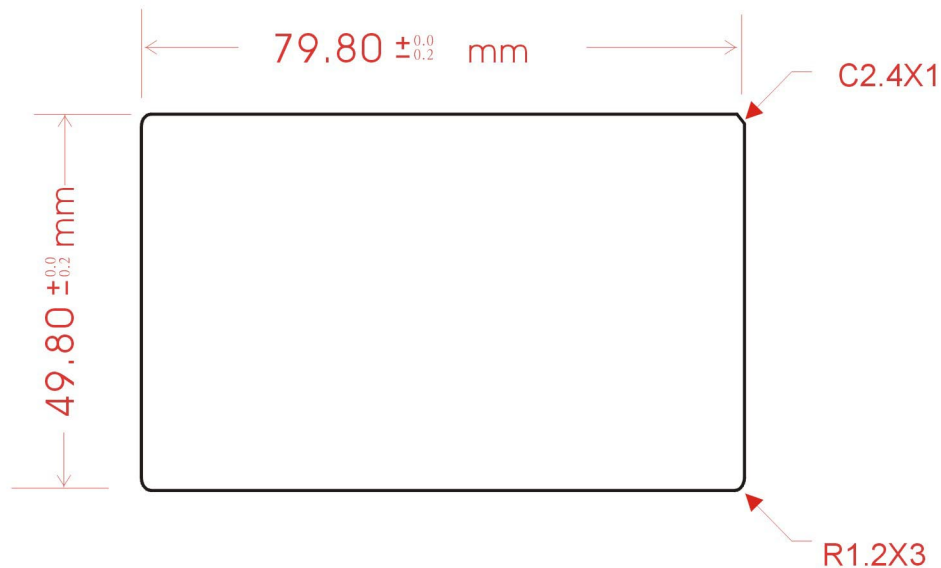
MODEL	PART NUMBER	OBJECT NAME	REV	VER	REL
	26-0776-001	LBL-AC580-T8D	***	***	***
DRAWING	26-0776-001	26-0776-001.01.LBL-AC580-T8D	-		

NOTES: (UNLESS OTHERWISE SPECIFIED).

- FOR LABEL MANUFACTURE SEE ITRONIX DRAWING 26-0637-000.
- PART(S) SHIPPED TO ITRONIX SHALL BE PACKAGED FOR SHIPMENT AND/OR STORAGE IN A CLEAN PROTECTIVE CONTAINER PER ITRONIX PACKAGING AND SHIPPING SPEC. QE3-002. IF A BAG IS USED IT MUST BE NON-STATIC GENERATING.



CONFIGURATION		- I MH JMD				PROTOTYPE RELEASE		
RADIO	MODEM	ZONE	REV.	ECO	BY	DESCRIPTION OF CHANGE	APP.	DATE
AC580	STANDARD							
UNLESS OTHERWISE SPECIFIED, DIMENSIONS IN INCHES DO NOT SCALE DRAWING  NOTICE OF PROPRIETARY INFORMATION INFORMATION CONTAINED HEREIN IS PROPRIETARY AND IS PROPERTY OF ITRONIX CORP. WHERE FURNISHED WITH A PROPOSAL, THE RECIPIENT SHALL USE IT SOLELY TO EVALUATE THE PROPOSAL, WHERE FURNISHED TO A CUSTOMER IT SHALL BE USED SOLELY FOR PURPOSES OF INSPECTION INSTALLATION, OR MAINTENANCE. WHERE FURNISHED TO A SUPPLIER, IT SHALL BE USED SOLELY IN THE PERFORMANCE OF THE WORK CONTRACTED FOR BY THIS COMPANY. THE INFORMATION SHALL NOT BE USED OR DISCLOSED BY THE RECIPIENT FOR ANY OTHER PURPOSE WHATSOEVER.		.TOL. EXCEPT AS NOTED		DATE		DESCRIPTION		
		.XX ± 0.01 INCH		J. DERTING 10-4-05				
		.XXX ± 0.005 INCH		DATE		LBL, IX325, AC580  SIZE B DWG. NO 26-0776-001		
		ANG. = 1.0°		ELEC. ENG DATE				
THIRD ANGLE PROJECTION		MECH. ENG DATE		SCALE 2.000 SHEET 1 OF 1 REV				
<b>ITRONIX</b> S.801 STEVENS, P.O. BOX 179 SPOKANE, WA 99210		MFG. ENG DATE						



**ITRONIX<sup>®</sup>**

MODEL NO. : IX 325  
DC : 20V  $\approx$  3.0A

**FC** Tested To Comply  
With FCC Standards  
FOR HOME OR OFFICE USE

C LR78776 US

This device complies with Part 15 of the FCC Rules. Operation is subject to the following two conditions: (1) this device may not cause harmful interference, and (2) this device must accept any interference received, including interference that may cause undesired operation.

This Class B digital apparatus complies with Canadian ICES-003.  
Cet appareil numérique de la classe B est conforme a la norme NMB-003 du Canada. 63+001190+70

**ASSEMBLED IN THE USA FROM DOMESTIC AND FOREIGN COMPONENTS**

Draw No.: E4623

	Title: <i>FCC Label</i> <i>for T 8 Lower Cover</i>	Model: <i>T 8</i>	Scale: <i>1:1</i>	Sheet: <i>1 of 1</i>
	<i>Color Requirement:</i> Background: Silver    Text: Black	Material: <i>PC , Thickness 0.5mm</i>	Artwork Number: 	Part Number: <i>63+001190+70</i>
Chief Designer:		Designer: <i>XXXXXX</i>	Revision: <i>0</i>	