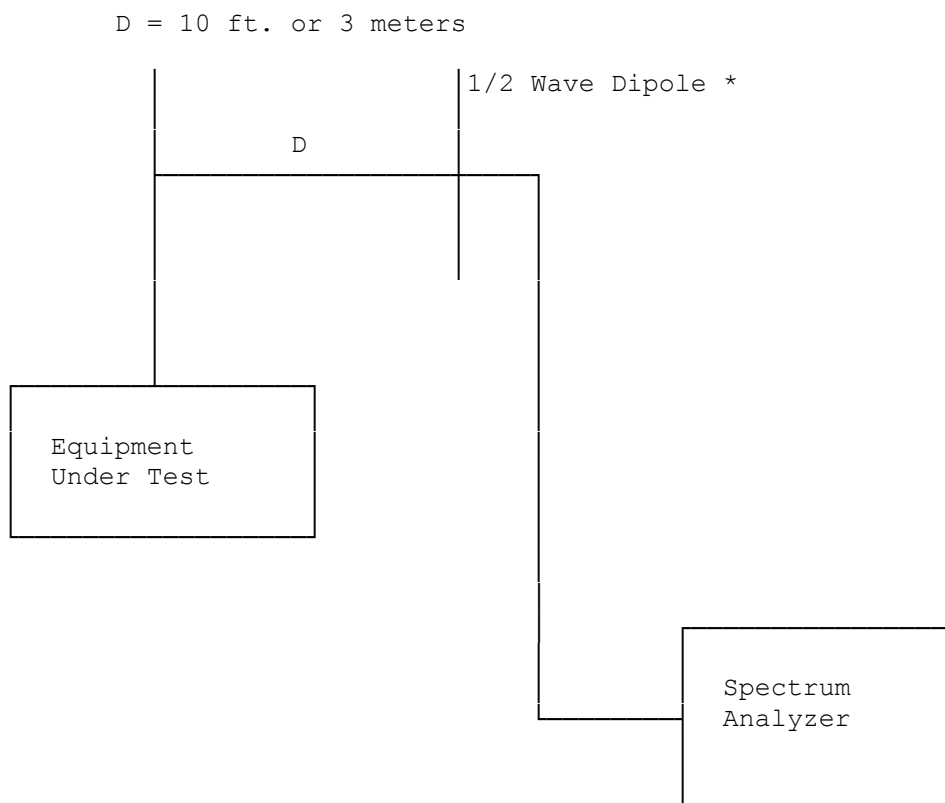


## Exhibit VII. Test Set-Up Procedures

### **BLOCK DIAGRAM #1**

#### Transmitter Radiated Spurious Emissions Test Set Up



See Equipment List for Equipment Specifications

- \* 1/2 Wave Dipole 30-1000 MHz  
Dual Ridged Guide Antenna or Broadband Log Periodic 1-10 GHz

## Test Equipment List A

### SPECTRUM TECHNOLOGY, INC.

<u>Equipment</u>	<u>Manufacturer/Model</u>	<u>Serial Number</u>	<u>Cal Date / Due Date</u>	
EMC Analyzer	Agilent Model: E7405A 9kHz – 26.5 GHz	MY42000087	11/02/04	11/02/05
Spectrum Analyzer	Hewlett-Packard 8562A 10kHz - 22 GHz	08562-60062	01/09/04	01/08/05
Amplifier 9 kHz-1300 MHz OPT H64	Hewlett-Packard 8447F	2727A02208	01/10/04	01/10/05
Amplifier .01 –26.5 GHz	Hewlett-Packard 83006A	3104A00167	01/10/02	01/10/05
Signal Generator	Hewlett-Packard 83752A	3610A01005	10/21/03	10/21/05
Service Monitor	IFR FM/AM 500A 4103			---
Oscilloscope	Kikusui C055060	6132295		---
Power Supply	Astron VS35	8601266		---
Voltmeter	Fluke 8020A	N2420658		---
Multimeter	Fluke 25	3710310		---
Wattmeter	Bird 43	56227		---
High pass filter 2-18 GHz	E/M, Inc.#FH-2/18	SN95-11		---
Notch filter 2-18 GHz	Custom notch 2.4 – 2.485 GHz	S002		---
Band Stop filter 2 – 18 GHz	Custom 1.7 – 2.5 GHz	S003		---
RF Termination	Bird 8135	10004		---
Dual Phase LISN	STI per MP-4 50 ohm/50 uH	02	01/20/04	01/20/05
Dual Phase LISN	Compliance Design 50 ohm/50 uH	8012-50R-24-BNC	01/21/04	01/21/05
Audio Generator	Hewlett-Packard 205-AG 8689		---	
Thermometer	Fluke 52	3965185	---	
Test Line	Simulator, Teltone TLS-2	none	---	
Turn Table, RC	EMCO 1060-2M	8912-1415	---	
Antenna Mast, RC	Compliance Design, Inc.	M100	---	
<b>Antennas:</b>				
Dipole Set 30 – 1000 MHz	EMCO Model: 3121C	1335	09/26/04	03/26/06
Dipole Set 30 – 1000 MHz	EMCO Model: 3121C	1336	09/26/04	03/26/06
Bi-Conical 20 – 200 MHz	EMCO 3104	3763	reference only	
Bi-Conical 30 – 200 MHz	EMCO 3104C	9401-4635	reference only	
Log-Periodic 200 – 1000 MHz	EMCO 3146	1754	reference only	
Bi-ConiLog 28 – 5000 MHz	EMCO 3141	1125	11/18/03	05/18/05
Active Loop .1 - 30 MHz	EMCO 6502	9107-2645	reference only	
Dual Ridged Guide Ant. 1 – 18 GHz	Electro-metrics RGA-60	6225	1/13/04	1/10/05
Standard Gain Horn 18 – 26.5 GHz	EMCO 3160-09	21138	1/21/04	1/21/05
Rev. 11/04				

**Photographs of EUT set up at OATS facility December 9 - 10, 2004**

Front View of IX300 in the deskmount. The external antenna on the top of the IX300 is for AirCard775, the BT antenna are not visible. Keyboard & mouse plugged in USB jacks on desktop dock.



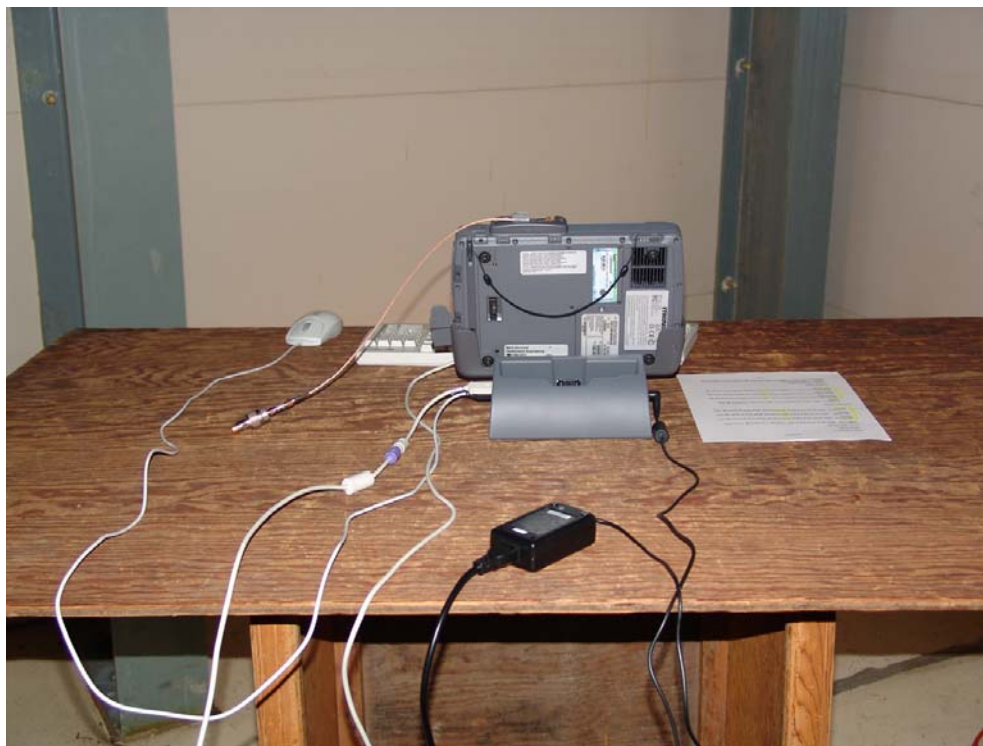
Rear View of IX300



Front View of 300 Tablet PC – All three software programs visible on the display during the simultaneous transmit testing



AirCard 775 antenna removed and a resistive 50 ohm load connected during the radiated spurious and harmonics measurements.



AC power line conducted emissions Part 15.107, 15.207

Front View of IX300 Tablet PC w/AC775, Nov. 10, 2004



Side View of IX300 Tablet PC w/AC775







All transmitter program Windows tx active, displayed on Tablet PC screen

