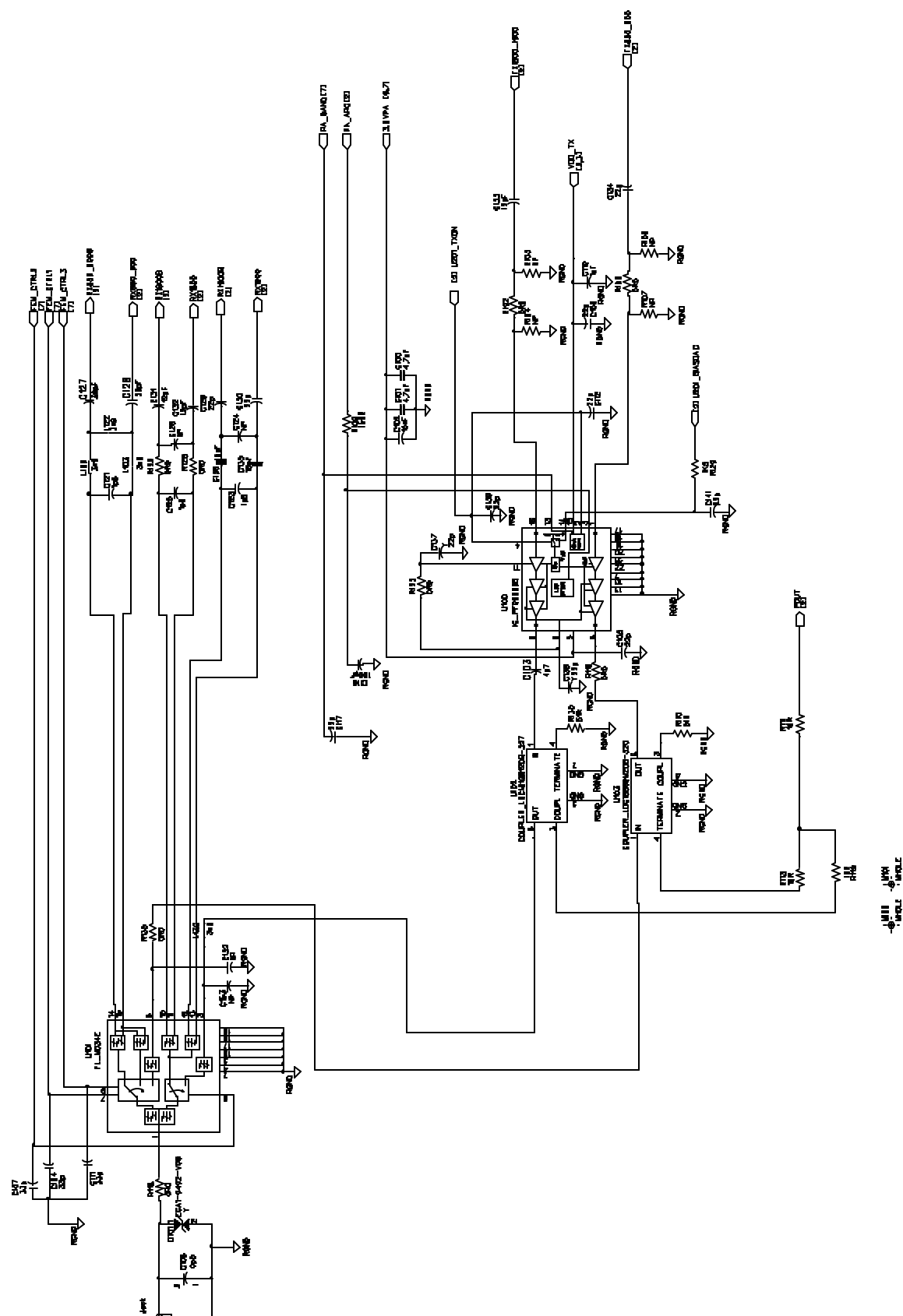


10 9 8 7 6 5 4 3 2 1

SWI

A B C D E F G



SIERRA WIRELESS, INC.		UNIT	AC775 EDGE Radio
THIS DOCUMENT CONTAINS INFORMATION WHICH IS PROPRIETARY AND CONFIDENTIAL TO SIERRA WIRELESS INC. DISCLOSURE TO ANY OTHER PARTY WITHOUT THE EXPRESS WRITTEN PERMISSION OF SIERRA WIRELESS IS STRICTLY PROHIBITED. COPYRIGHT 1999		DRAWING TYPE	Schematic
REV 1.0	DATE	TITLE	FRONT-END
00000000	00000000	DRAWING NUMBER	2500XXX
00000000	00000000	DESIGNER	
00000000	00000000	CHECKED	
00000000	00000000	APPROVED	
00000000	00000000	ORIGINAL RELEASE	00000000
00000000	00000000	COMPONENTS	
00000000	00000000	REV 1.0	PAIR: 1 OF 7

