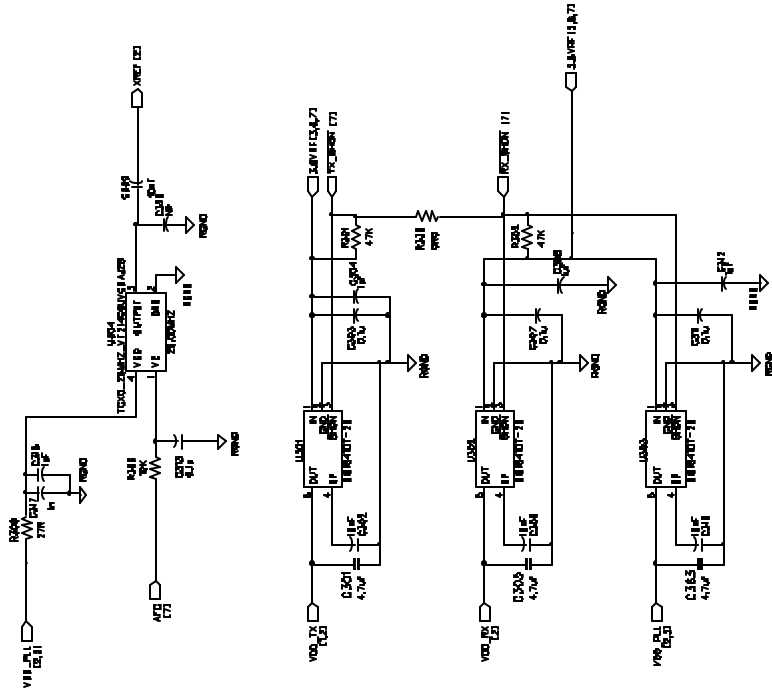


10 9 8 7 6 5 4 3 2 1

SWI



SIERRA WIRELESS, INC.		DATE	REV I.O	PAR: 3 OF 7
THE DOCUMENT CONTAINS INFORMATION THAT IS PROPRIETARY AND CONFIDENTIAL TO SIERRA WIRELESS INC. DISCLOSURE TO ANY OTHER PARTY WITHOUT THE EXPRESS WRITTEN PERMISSION OF SIERRA WIRELESS INC. IS STRICTLY PROHIBITED. COPYRIGHT 1998 SIERRA WIRELESS INC.	DATE	REV I.O	PAR: 3 OF 7	
REV 003 MAY 2004	DATE	REV I.O	PAR: 3 OF 7	
REV 002 MAY 2004	DATE	REV I.O	PAR: 3 OF 7	
REV 001 MAY 2004	DATE	REV I.O	PAR: 3 OF 7	
UNIT	AC775 EDGE Radio	DRAWING TYPE	Schematic	
TITLE	RF - POWER	DRAWING NUMBER	2500048	
DESIGNED BY		CHECKED BY		
APPROVED BY		DATE		
DESCRIPTION	ORIGINAL RELEASE	DESCRIPTION		

