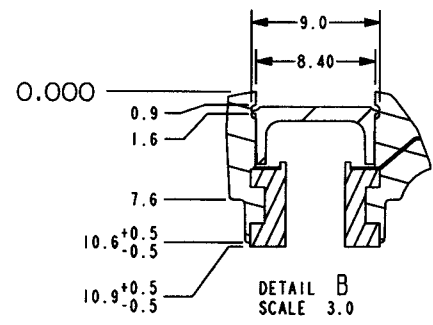
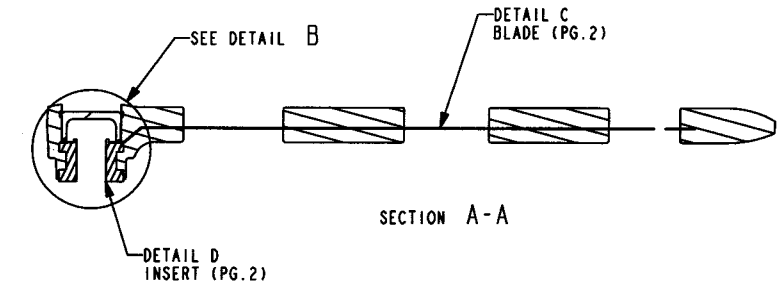
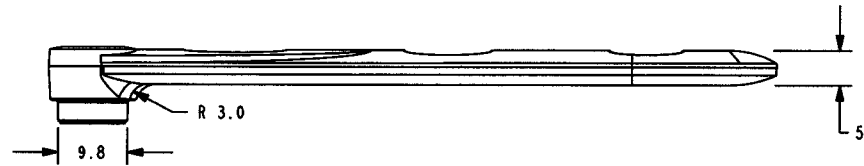
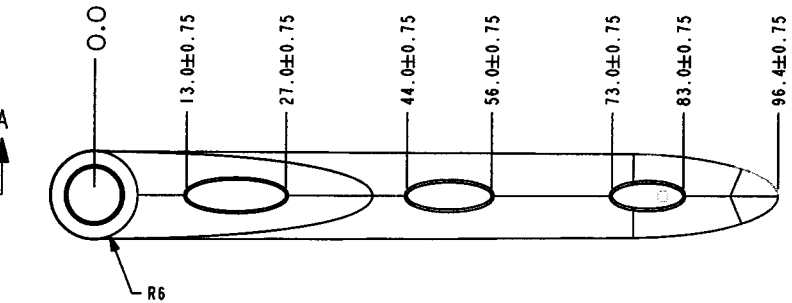


8 7 6 5 4 3 2 1



NOTES: (UNLESS OTHERWISE SPECIFIED).

- DENOTES CRITICAL DIMENSION.
- DENOTES PROCESS CONTROL DIMENSION.
- 1. MATERIAL: SANTOPRENE 221-80, SHORE A
- 2. TEXTURE: EDM FINISH
- 3. COLOR: CS5K129V
- 4. EJECTION PIN WITNESS MARK: FLUSH TO 0.25MM
- 5. ALL GATING AND EJECTION SYSTEMS TO BE APPROVED BY ITRONIX ENGINEERING.
- 6. FLASH ALLOWANCE: 0.13MM
- 7. GATE TO BE FLUSH WITHIN 0.5MM
- 8. ALL PART(S) TO BE CLEAN AND FREE FROM CONTAMINANTS, NICKS, SCRATCHES AND OTHER VISUAL DEFECTS.
- 9. ALL UNSPECIFIED GEOMETRY SHALL MATCH ITRONIX SUPPLIED DATABASE GENERATED FROM MODEL WHICH MATCHES THIS DRAWING. TOLERANCE UNSPECIFIED DIMENSIONS SHALL MATCH TOLERANCE BLOCK BELOW.
- 10. PART(S) SHALL BE ADEQUATELY PACKAGED TO PREVENT DAMAGE IN SHIPMENT AND HANDLING.

UNLESS OTHERWISE SPECIFIED, DIMENSIONS IN MILLIMETERS DO NOT SCALE DRAWING

NOTICE OF PROPRIETARY INFORMATION: INFORMATION CONTAINED HEREIN IS PROPRIETARY AND IS PROPERTY OF ITRONIX CORP. WHERE FURNISHED WITH A PROPOSAL, THE RECIPIENT SHALL USE IT SOLELY TO EVALUATE THE PROPOSAL. WHERE FURNISHED TO A CUSTOMER IT SHALL BE USED SOLELY FOR PURPOSES OF INSPECTION, INSTALLATION, OR MAINTENANCE. WHERE FURNISHED TO A SUPPLIER, IT SHALL BE USED SOLELY IN THE PERFORMANCE OF THE WORK CONTRACTED FOR BY THIS COMPANY. THE INFORMATION SHALL NOT BE USED OR DISCLOSED BY THE RECIPIENT FOR ANY OTHER PURPOSE WHATSOEVER.

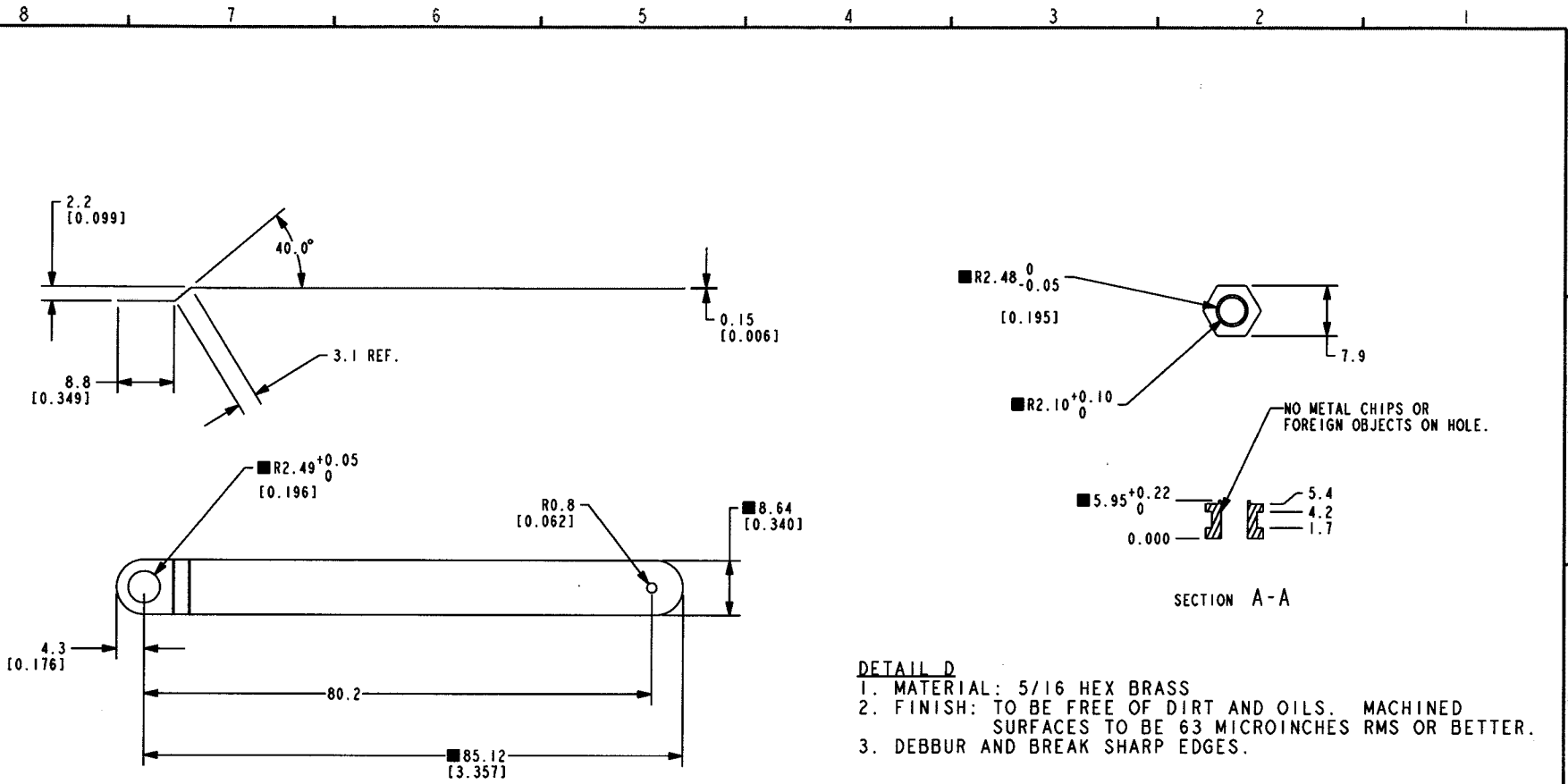
.TOL. EXCEPT AS NOTED
 X ± 0.5 MM
 X.X ± 0.25 MM
 X.XX ± 0.125 MM
 ANG. = 1.0°

THIRD ANGLE PROJECTION

ITRONIX
 5,001 STEVENS, P.O. BOX 170
 SPORANE, WA 99210

-	A	2341	JMD	RELEASE	KAK	12-5-01
C2	2		KAK	TEXTURE CHANGED		09/20/01
	1		KAK	TOOL RELEASE		08/02/01
ZONE	REV.	ECO	BY	DESCRIPTION OF CHANGE	APP.	DATE
DRAWER KARracher				DATE 07-10-01	DESCRIPTION ANTENNA, 3 INCH, 1X550	
CHECKER KARracher				DATE 12-5-01	SIZE B	FIG. NO 47-0118-003
ELEC. ENG				DATE	SCALE 1.500	SHEET 1 OF 2
MECH. ENG KARracher				DATE 07-10-01	REV	
MFG. ENG J.BARRON				DATE 8/8/01		

8 7 6 5 4 3 2 1



DETAIL C
 1. MATERIAL: STAINLESS STEEL, FULL HARD (.006 IN) 0.152MM
 2. DEBBUR AND BREAK SHARP EDGES.

DETAIL D
 1. MATERIAL: 5/16 HEX BRASS
 2. FINISH: TO BE FREE OF DIRT AND OILS. MACHINED SURFACES TO BE 63 MICROINCHES RMS OR BETTER.
 3. DEBBUR AND BREAK SHARP EDGES.

UNLESS OTHERWISE SPECIFIED, DIMENSIONS IN MILLIMETERS DO NOT SCALE DRAWING		.TOL., EXCEPT AS NOTED ± .005 MM ± .0025 MM ± .00125 MM ANG. ± 1.0°		DESCRIPTION ANTENNA, 3 INCH, 1X550	
NOTICE OF PROPRIETARY INFORMATION INFORMATION CONTAINED HEREIN IS PROPRIETARY AND IS PROPERTY OF ITRONIX CORP. WHERE FURNISHED WITH A PROPOSAL, THE RECIPIENT SHALL USE IT SOLELY TO EVALUATE THE PROPOSAL, WHERE FURNISHED TO A CUSTOMER IT SHALL BE USED SOLELY FOR PURPOSES OF INSPECTION, INSTALLATION, OR MAINTENANCE. WHERE FURNISHED TO A SUPPLIER, IT SHALL BE USED SOLELY IN THE PERFORMANCE OF THE WORK CONTRACTED FOR BY THIS COMPANY. THE INFORMATION SHALL NOT BE USED OR DISCLOSED BY THE RECIPIENT FOR ANY OTHER PURPOSE WHATSOEVER.				THIRD ANGLE PROJECTION	
SCALE 1.500		DWS. NO 47-0118-003		SHEET 2 OF 2	
ITRONIX 5.001 STEVENS, P.O. BOX 179 SPOKANE, WA 99210		REV A			