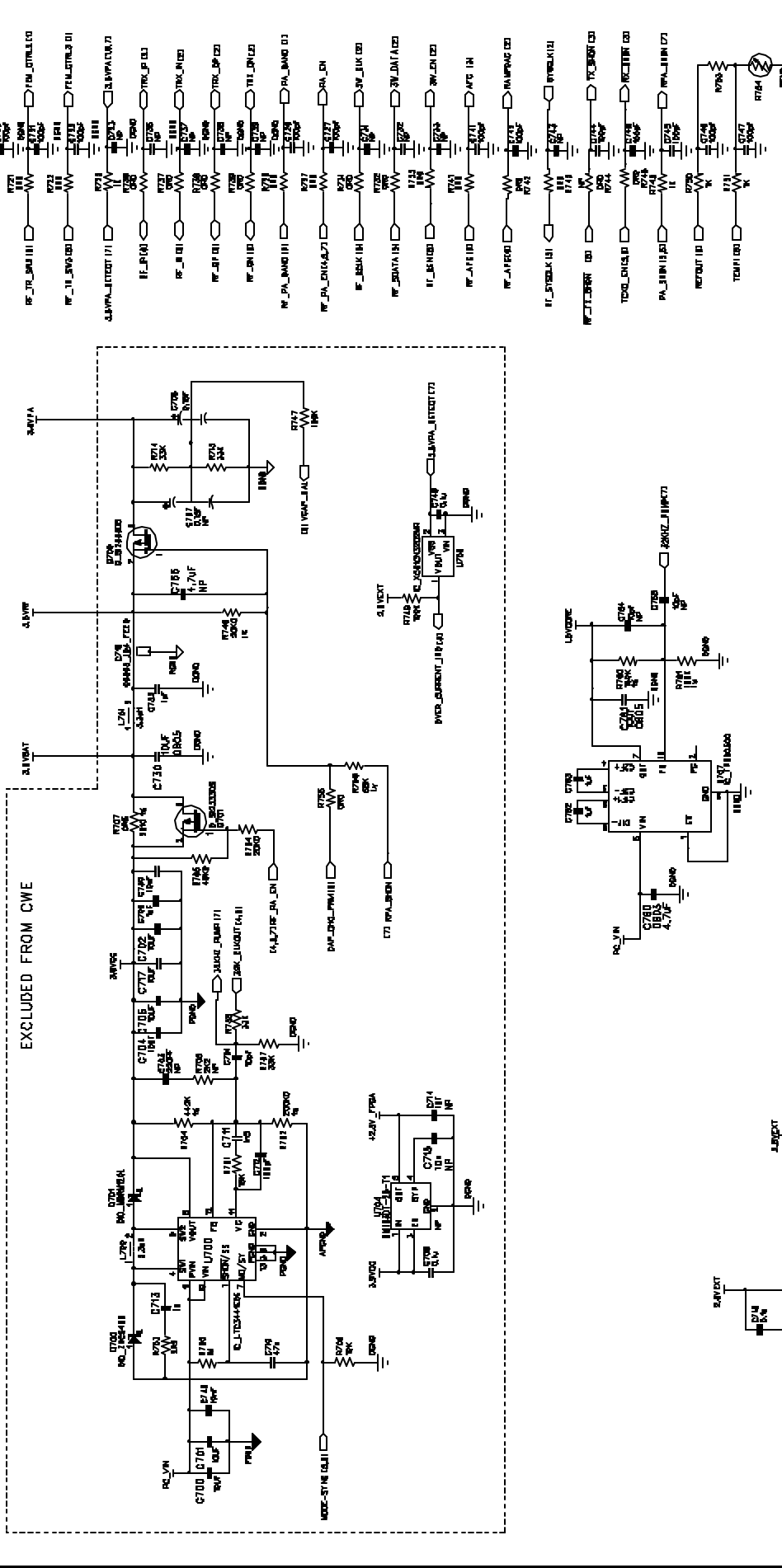
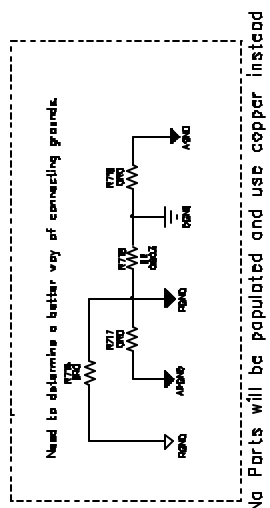


1 2 3 4 5 6 7 8 9 10

SWI

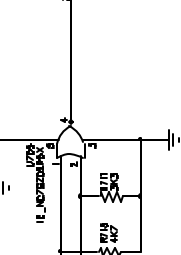
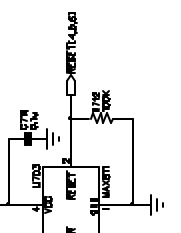


Card Temperature Monitor



100k

No Parts will be populated and use copper instead



SIERRA WIRELESS, INC.	UNIT	AC775 EDGE Logic
THIS DOCUMENT CONTAINS INFORMATION THAT IS PROPRIETARY AND CONFIDENTIAL TO SIERRA WIRELESS INC. DISCLOSURE TO ANY OTHER PARTY IS STRICTLY PROHIBITED. ANY REPRODUCTION OR TRANSMISSION OF THIS DOCUMENT WITHOUT THE WRITTEN PERMISSION OF SIERRA WIRELESS, INC. IS STRICTLY PROHIBITED. COPYRIGHT 2004.	DRAWING TYPE	Schematic
DATE	TITLE	POWER/FILTERING
DATE	DRAWING NUMBER	2500048
DATE	REV	1.0
DATE	PAGE	7 OF 7