

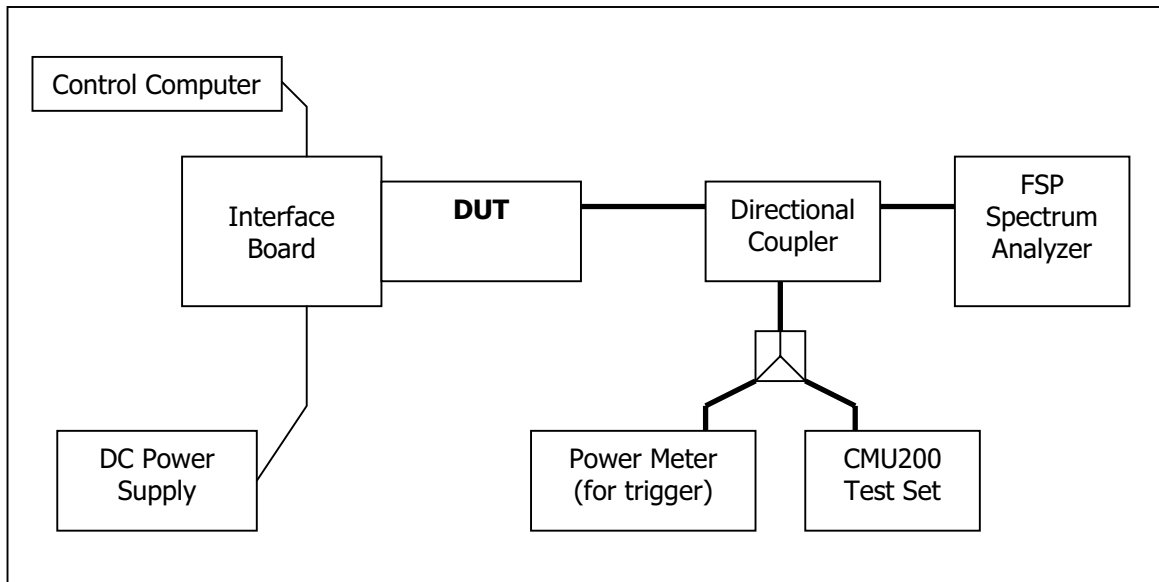
## 4 RF Power Output

FCC 2.1046

### 4.1 Test Procedure

The transmitter output was connected to a Rohde & Schwarz CMU200 Test Set and configured to operate at maximum power. The power was measured at three equally spaced operating frequencies in each band and the RBW was set at 300 KHz.

### Test Setup



### 4.2 Test Equipment

#### Instrument List

EQUIPMENT	MANUFACTURER	MODEL NO.	SERIAL NO.	CAL. DATE
Control Computer	TC	Generic PC	100488	N/A
Wireless Test Set	Rohde & Schwarz	CMU200	836766/030	N/A
Spectrum Analyzer	Rohde & Schwarz	FSP 30GHz	US41421268	Sept. 12, 2003
DC Power Supply	HP	E3631A	100060	N/A
Interface Board	Shop built	Minnow	N/A	N/A
Directional Coupler	Pasternack	PE2209-10	N/A	N/A

# SIERRA WIRELESS, INC.

## 4.3 Test Results

Frequency (MHz)	Channel	Power (dBm)	
		GMSK Mode	8-PSK Mode
824.2	128	31.43	26.84
836.6	190	31.44	26.89
848.8	251	31.38	26.79
1850.2	512	28.35	25.83
1880.0	661	28.41	25.94
1909.8	810	28.37	25.81