

- NOTES: (UNLESS OTHERWISE SPECIFIED).
- DENOTES CRITICAL DIMENSION.
 - DENOTES PROCESS CONTROL DIMENSION.
 - 1. MATERIAL: SANTOPRENE 221-80, SHORE A
 - 2. COLOR: CS5K129V
 - 3. TEXTURE: EDM FINISH
 - 4. EJECTION PIN WITNESS MARK: FLUSH TO 0.25 MM
 - 5. ALL GATING AND EJECTION SYSTEMS TO BE APPROVED BY ITRONIX ENGINEERING.
 - 6. FLASH ALLOWANCE: 0.13 MM
 - 7. GATE TO BE FLUSH WITHIN 0.5MM
 - 8. ALL PART(S) TO BE CLEAN AND FREE FROM CONTAMINANTS, NICKS, SCRATCHES AND OTHER VISUAL DEFECTS.
 - 9. ALL UNSPECIFIED GEOMETRY SHALL MATCH ITRONIX SUPPLIED DATABASE GENERATED FROM MODEL WHICH MATCHES THIS DRAWING. TOLERANCE UNSPECIFIED DIMENSIONS SHALL MATCH TOLERANCE BLOCK BELOW.
 - 10. PART(S) SHALL BE ADEQUATELY PACKAGED TO PREVENT DAMAGE IN SHIPMENT AND HANDLING.

FLATNESS WHEN RESTRAINED AT BASE TO PARTING LINE AT THE TIP

DETAIL B
SCALE 3.000

DETAIL C
BLADE (PG. 2)

DETAIL D
INSERT (PG. 2)

SECTION A-A

UNLESS OTHERWISE SPECIFIED, DIMENSIONS IN MILLIMETERS
DO NOT SCALE DRAWING

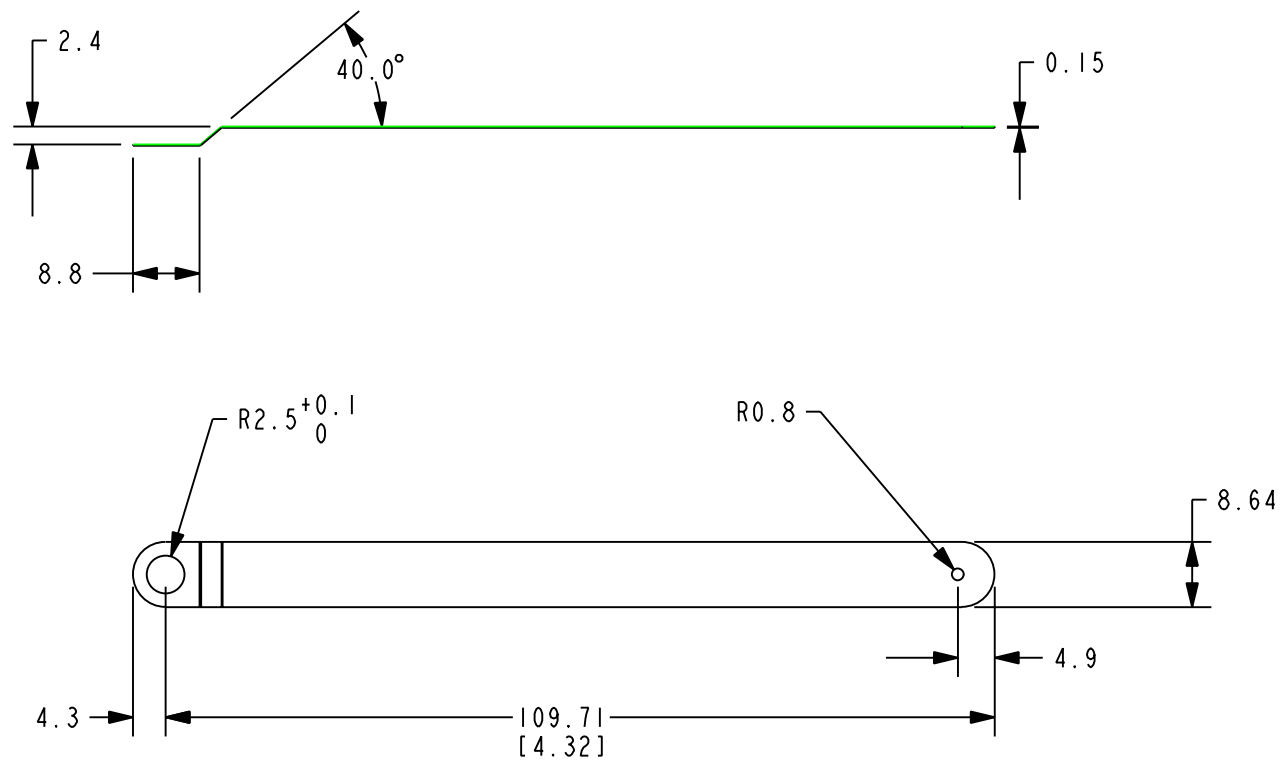
NOTICE OF PROPRIETARY INFORMATION
INFORMATION CONTAINED HEREIN IS PROPRIETARY AND IS PROPERTY OF ITRONIX CORP. WHERE FURNISHED WITH A PROPOSAL, THE RECIPIENT SHALL USE IT SOLELY TO EVALUATE THE PROPOSAL, WHERE FURNISHED TO A CUSTOMER IT SHALL BE USED SOLELY FOR PURPOSES OF INSPECTION, INSTALLATION, OR MAINTENANCE. WHERE FURNISHED TO A SUPPLIER, IT SHALL BE USED SOLELY IN THE PERFORMANCE OF THE WORK CONTRACTED FOR BY THIS COMPANY. THE INFORMATION SHALL NOT BE USED OR DISCLOSED BY THE RECIPIENT FOR ANY OTHER PURPOSE WHATSOEVER.

.TOL. EXCEPT AS NOTED
X ± 0.1 MM
X.X ± 0.01 MM
X.XX ± 0.005 MM
ANG. = 0.5°

THIRD ANGLE PROJECTION

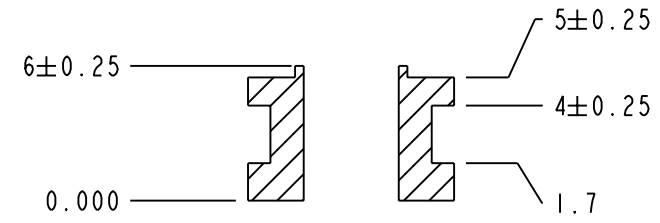
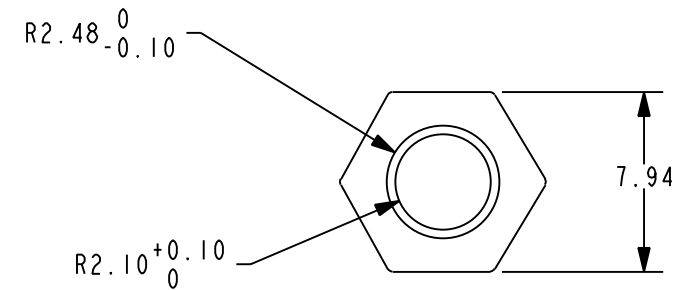
ITRONIX
S. 801 STEVENS, P.O. BOX 179
SPOKANE, WA 99210

	I		KAK	RELEASE		8-2-02
ZONE	REV.	ECO	BY	DESCRIPTION OF CHANGE	APP.	DATE
DRAFTER	KAKracher	DATE	07-18-02	DESCRIPTION ANTENNA, 4.3 INCH		
CHECKER		DATE		SIZE	DWG. NO	
ELEC. ENG		DATE		B	47-0170-001	
MECH. ENG	KAKracher	DATE	07-18-02	SCALE	SHEET	REV
MFG. ENG		DATE		1.500	1 OF 2	1



SCALE 1.000

DETAIL C
 1. MATERIAL: STAINLESS STEEL, FULL HARD (0.006 IN) 0.152 mm
 2. DEBBUR AND BREAK SHARP EDGES.



SECTION A-A

SCALE 3.000

DETAIL D
 1. MATERIAL: 5/16 HEX BRASS
 2. FINISH: TO BE FREE OF DIRT AND OILS. MACHINED SURFACES TO BE 63 MICRO-INCHES RMS OR BETTER.
 3. DEBBUR AND BREAK SHARP EDGES.

UNLESS OTHERWISE SPECIFIED, DIMENSIONS IN MILLIMETERS DO NOT SCALE DRAWING		.TOL. EXCEPT AS NOTED X ± 0.1 MM X.X ± 0.01 MM X.XX ± 0.005 MM ANG. = 0.5°		DESCRIPTION ANTENNA, 4.3 INCH	
NOTICE OF PROPRIETARY INFORMATION INFORMATION CONTAINED HEREIN IS PROPRIETARY AND IS PROPERTY OF ITRONIX CORP. WHERE FURNISHED WITH A PROPOSAL, THE RECIPIENT SHALL USE IT SOLELY TO EVALUATE THE PROPOSAL, WHERE FURNISHED TO A CUSTOMER IT SHALL BE USED SOLELY FOR PURPOSES OF INSPECTION INSTALLATION, OR MAINTENANCE. WHERE FURNISHED TO A SUPPLIER, IT SHALL BE USED SOLELY IN THE PERFORMANCE OF THE WORK CONTRACTED FOR BY THIS COMPANY. THE INFORMATION SHALL NOT BE USED OR DISCLOSED BY THE RECIPIENT FOR ANY OTHER PURPOSE WHATSOEVER.		THIRD ANGLE PROJECTION		SIZE B	
ITRONIX 5.801 STEVENS, P.O. BOX 179 SPOKANE, WA 99210		SCALE 1.000		DWG. NO 47-0170-001	
		SHEET 2 OF 2		REV 1	