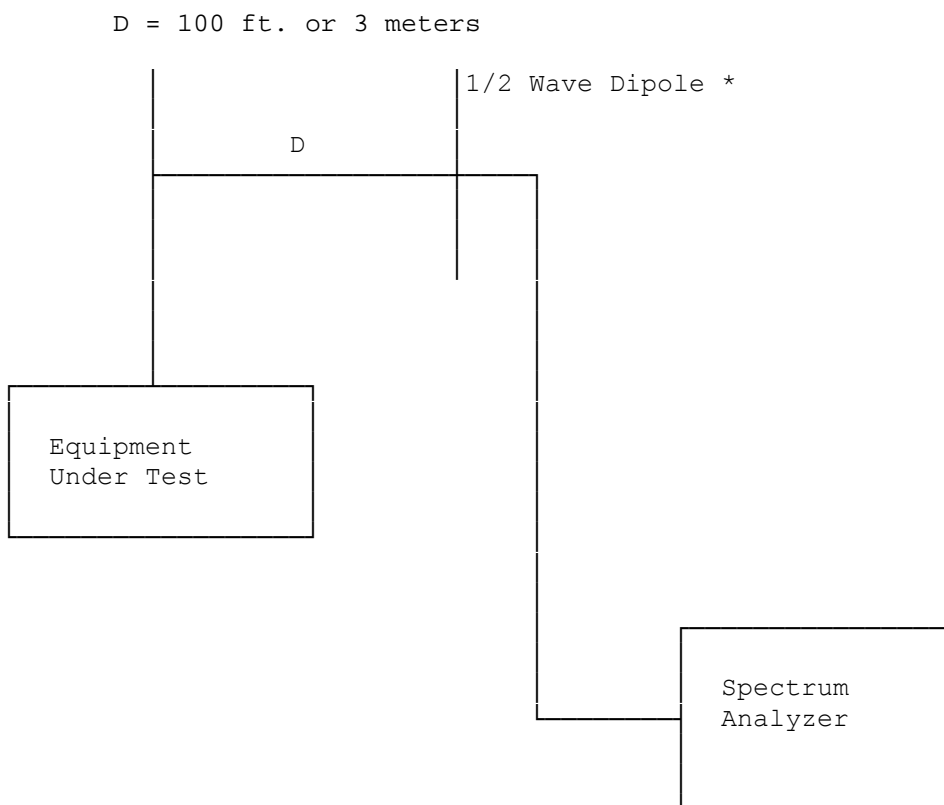


## Exhibit VII. Test Set-Up Procedures

### **BLOCK DIAGRAM #1**

#### Transmitter Radiated Spurious Emissions Test Set Up



See Equipment List for Equipment Specifications

- \* 1/2 Wave Dipole 30-1000 MHz  
Dual Ridged Guide Antenna or Broadband Log Periodic 1-10 GHz

## Test Equipment List A

### SPECTRUM TECHNOLOGY, INC.

<u>Equipment</u>	<u>Manufacturer</u>	<u>Serial Number</u>	<u>Cal Date/Due Date</u>	
Spectrum Analyzer	Hewlett-Packard 8562A	08562-60062	12/19/01	12/19/02
Amplifier 9 kHz-1300 MHz OPT H64	Hewlett-Packard 8447F	2727A02208	12/20/01	12/20/02
Service Monitor	IFR FM/AM 500A	4103	---	---
Oscilloscope	Kikusui C055060	6132295	---	---
Power Supply	Astron VS35	8601266	---	---
Voltmeter	Fluke 8020A	N2420658	---	---
Multimeter	Fluke 25	3710310	---	---
Wattmeter	Bird 43	56227	---	---
RF Termination	Bird 8135	10004	---	---
Dual Phase LISN 50 ohm/50 uH	STI per MP-4	02	1/15/02	1/15/03
Dual Phase LISN 50 ohm/50 uH	Compliance Design	8012-50R-24-BNC	1/15/02	1/15/03
Audio Generator	Hewlett-Packard 205-AG	8689	---	---
Thermometer	Fluke 52	3965185	---	---
Test Line	Simulator, Teltone TLS-2	none	---	---
Turn Table, RC	EMCO 1060-2M	8912-1415	---	---
Antenna Mast, RC	Compliance Design, Inc.	M100	---	---
<b>Antennas:</b>				
Dipole Set	EMCO Model: 3121C	1335	03/26/00	09/26/04
Dipole Set	EMCO Model: 3121C	1336	03/26/00	09/26/04
Bi-Conical	EMCO 3104	3763	reference only	
Bi-Conical	EMCO 3104C	9401-4635	01/30/02	01/30/03
Log-Periodic	EMCO 3146	1754	01/29/02	01/29/03
Bi-ConiLog	EMCO 3141	1125	04/27/01	04/27/02
Active Loop	EMCO 6502	9107-2645	reference only	
Dual Ridged Guide Antenna	Electro-metrics RGA-60	6225	12/15/01	12/15/02

Rev. 04/02

Photographs of EUT set up at OATS facility Nov 11, 2002

**Photo 1 of 2**

**Front View of IX260 PC – Antenna located internally in the upper right and left side of display.**



**Photo 2 of 2**

**Rear View of IX260 PC – Antenna located internally in the upper right and left side of display.**

