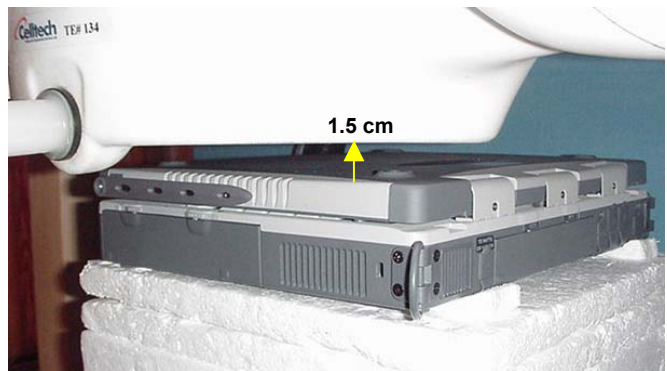
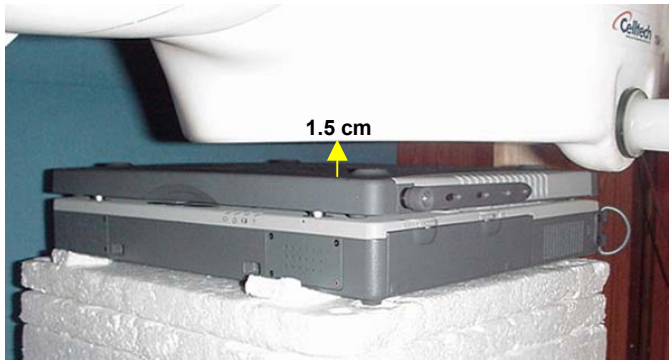
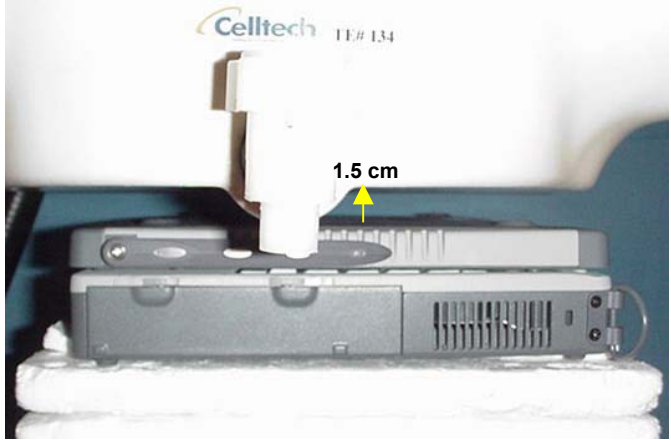
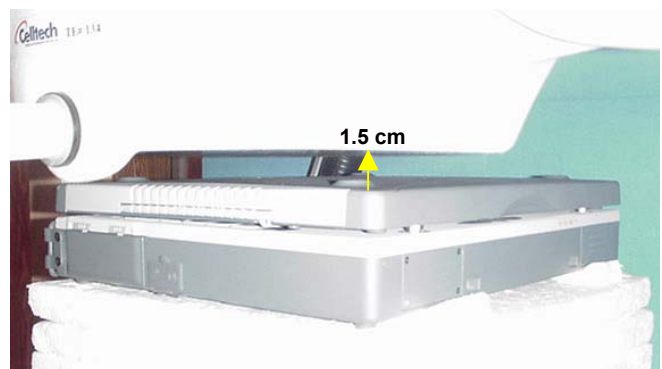
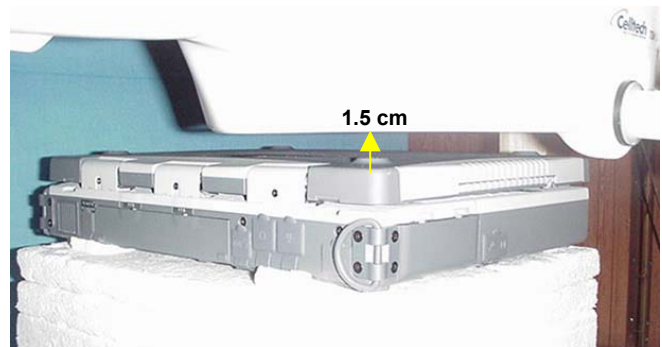
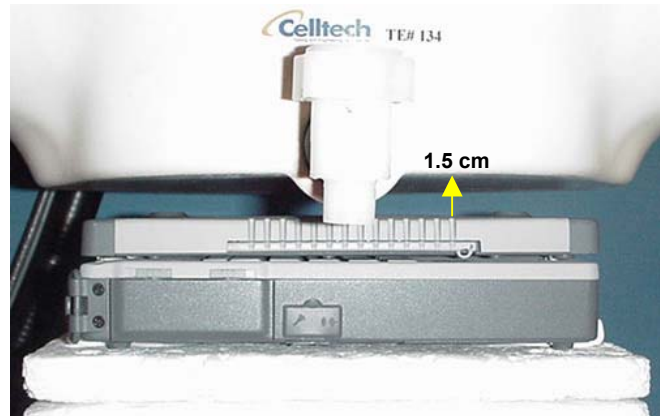

APPENDIX G - SAR TEST SETUP PHOTOGRAPHS

BODY SAR TEST SETUP PHOTOGRAPHS
Back of LCD Display (Closed) - Antenna Parallel to Planar Phantom (Stowed Position)
1.5cm Separation Distance from Back of LCD to Planar Phantom

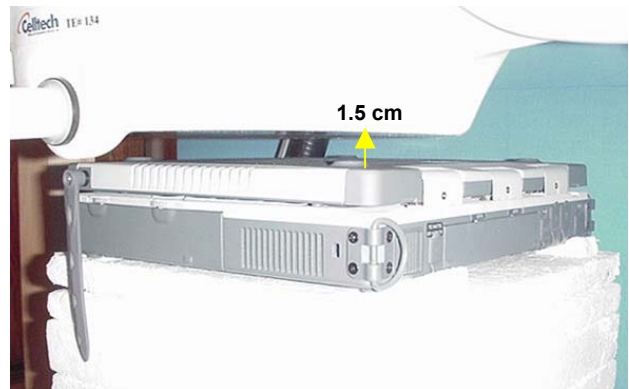
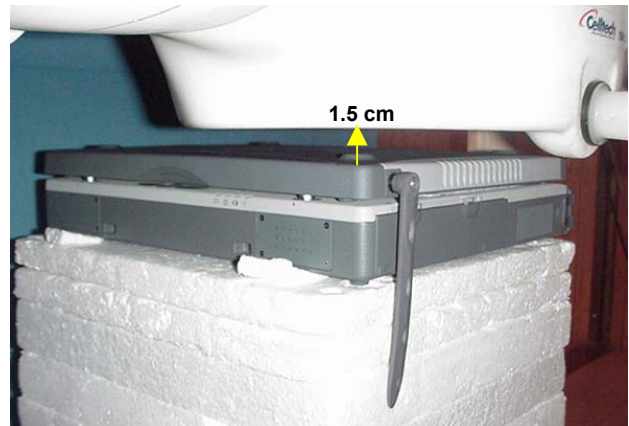
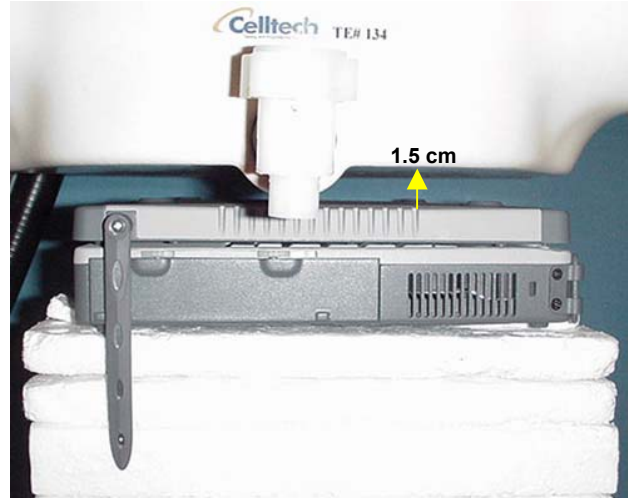


BODY SAR TEST SETUP PHOTOGRAPHS

Back of LCD Display (Closed) - Antenna Parallel to Planar Phantom (Stowed Position)
1.5cm Separation Distance from Back of LCD to Planar Phantom
Coarse Scan to show Second Half of LCD Display (Back Side)

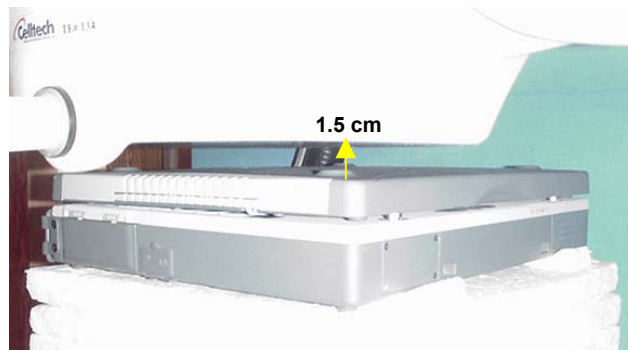
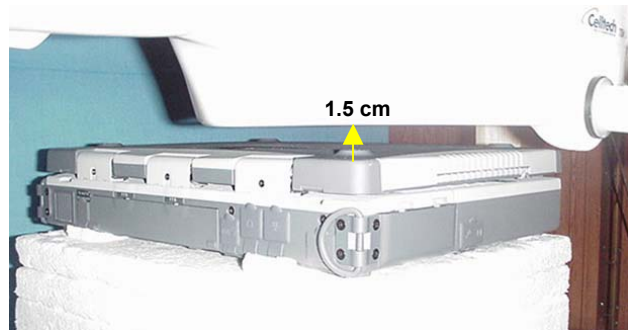
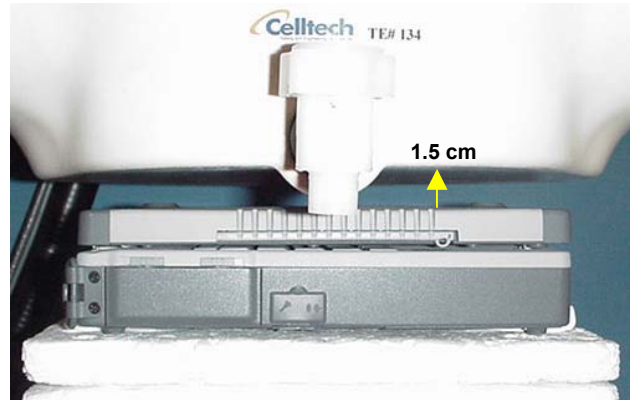


BODY SAR TEST SETUP PHOTOGRAPHS
Back of LCD Display (Closed) - Antenna Perpendicular to Planar Phantom (180°)
1.5cm Separation Distance from Back of LCD to Planar Phantom



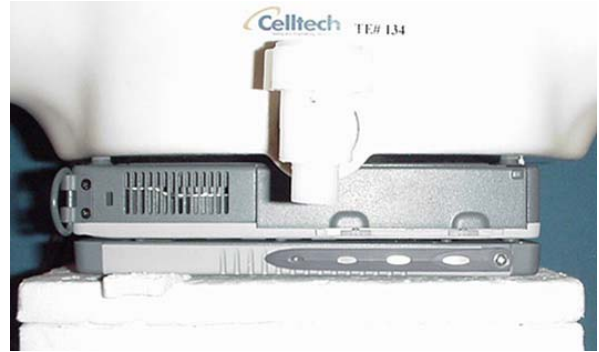
BODY SAR TEST SETUP PHOTOGRAPHS

Back of LCD Display (Closed) - Antenna Perpendicular to Planar Phantom (180°)
1.5cm Separation Distance from Back of LCD to Planar Phantom
Coarse Scan to Show Second Half of LCD Display (Back Side)



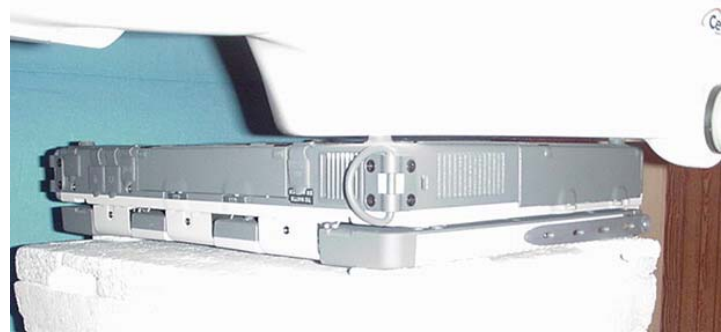
BODY SAR TEST SETUP PHOTOGRAPHS

**Bottom of Laptop PC (LCD Display Closed) - Antenna Parallel to Planar Phantom (Stowed Position)
0.0cm Separation Distance from Bottom of Laptop PC to Planar Phantom**



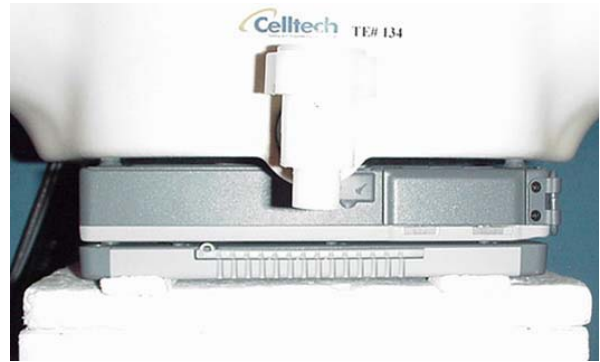
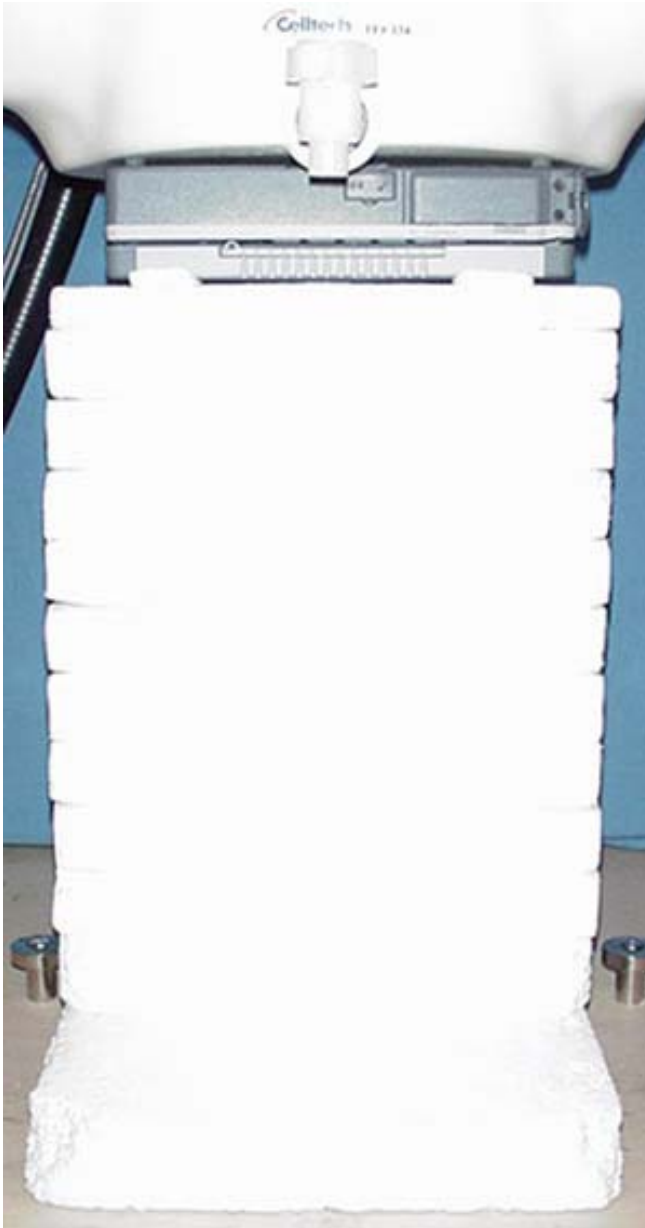
BODY SAR TEST SETUP PHOTOGRAPHS

**Bottom of Laptop PC (LCD Display Closed) - Antenna Parallel to Planar Phantom (Stowed Position)
0.0cm Separation Distance from Bottom of Laptop PC to Planar Phantom
2nd Coarse Scan to Show Relative Strength of Hotspots (Bottom Side)**



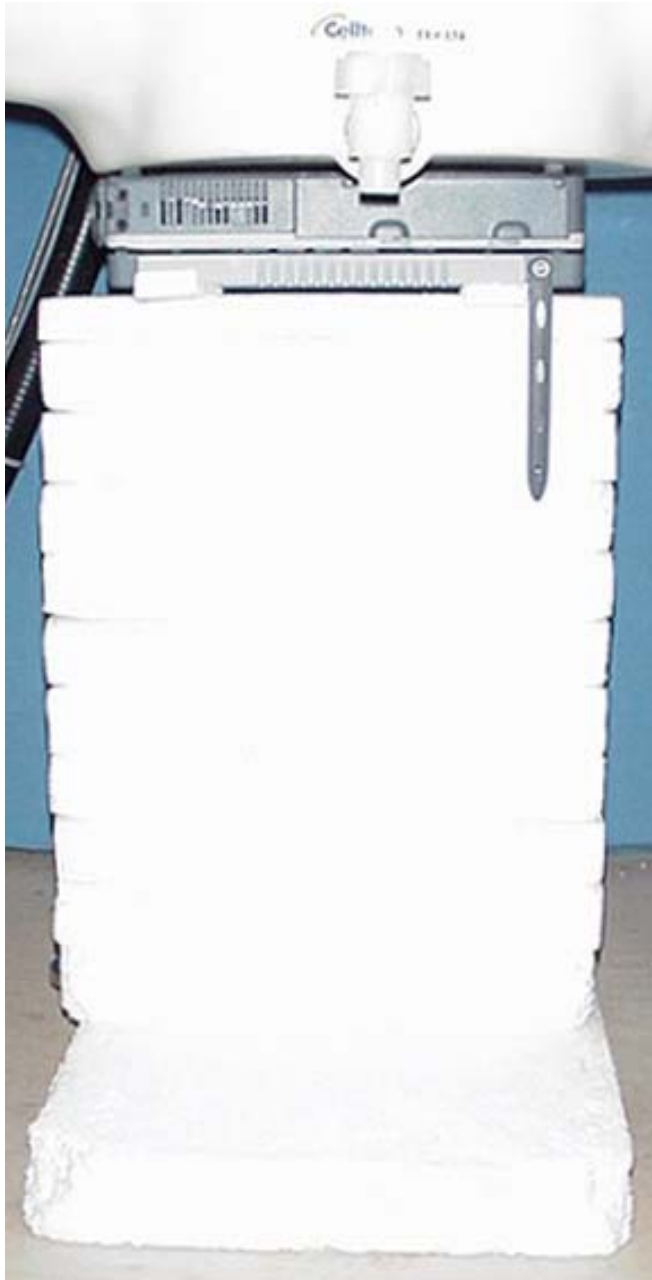
BODY SAR TEST SETUP PHOTOGRAPHS

**Bottom of Laptop PC (LCD Display Closed) - Antenna Parallel to Planar Phantom (Stowed Position)
0.0cm Separation Distance from Bottom of Laptop PC to Planar Phantom
Coarse Scan to Show Second Half of Laptop PC (Bottom Side)**



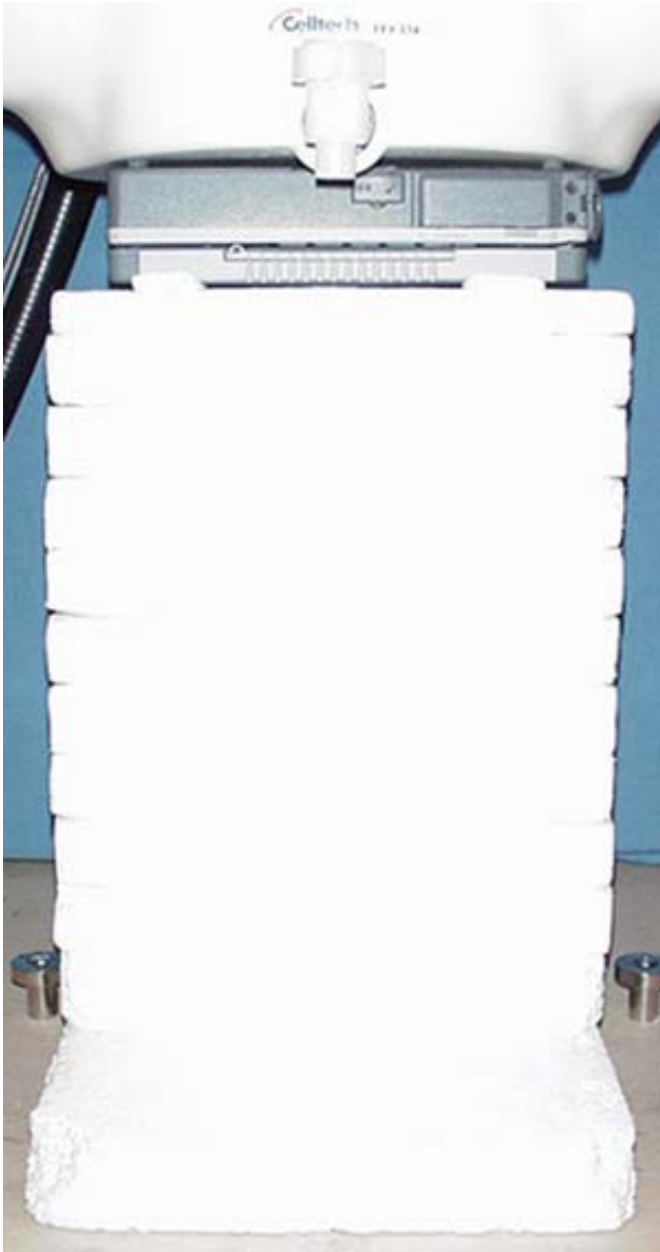
BODY SAR TEST SETUP PHOTOGRAPHS

Bottom of Laptop PC (LCD Display Closed) - Antenna Perpendicular to Planar Phantom (Extended Position)
0.0cm Separation Distance from Bottom of Laptop PC to Planar Phantom



BODY SAR TEST SETUP PHOTOGRAPHS

**Bottom of Laptop PC (LCD Display Closed) - Antenna Perpendicular to Planar Phantom (Extended Position)
0.0cm Separation Distance from Bottom of Laptop PC to Planar Phantom
Coarse Scan to Show Second Half of Laptop PC (Bottom Side)**



BODY SAR TEST SETUP PHOTOGRAPHS
Right Side of LCD Display (Closed) - Antenna Parallel to Planar Phantom (Stowed Position)
1.5cm Separation Distance from Antenna to Planar Phantom



BODY SAR TEST SETUP PHOTOGRAPHS
Right Side of LCD Display (Closed) - Antenna Parallel to Planar Phantom (Extended Position)
1.5cm Separation Distance from Antenna to Planar Phantom



BODY SAR TEST SETUP PHOTOGRAPHS
Right Side of LCD Display (Closed) - Antenna Parallel to Planar Phantom (Extended Position)
1.5cm Separation Distance from Antenna to Planar Phantom
Second Coarse Scan to Show Right Side of Laptop PC

