



FCC SAR Test Report

APPLICANT : D-Link Corporation
EQUIPMENT : Le Petit HSPA+ router
BRAND NAME : D-Link
MODEL NAME : DWR-710
FCC ID : KA2WR710A1
STANDARD : FCC 47 CFR Part 2 (2.1093)
ANSI/IEEE C95.1-1992
IEEE 1528-2003
FCC OET Bulletin 65 Supplement C (Edition 01-01)

The product was received on Feb. 27, 2012 and completely tested on Jun, 07, 2012. We, SPORTON INTERNATIONAL INC., would like to declare that the tested sample has been evaluated in accordance with the procedures and shown the compliance with the applicable technical standards.

The test results in this report apply exclusively to the tested model / sample. Without written approval of SPORTON INTERNATIONAL INC., the test report shall not be reproduced except in full.

Reviewed by:

Jones Tsai / Manager



SPORTON INTERNATIONAL INC.

No. 52, Hwa Ya 1st Rd., Hwa Ya Technology Park, Kwei-Shan Hsiang, Tao Yuan Hsien, Taiwan, R.O.C.

SPORTON INTERNATIONAL INC.

TEL : 886-3-327-3456

FAX : 886-3-328-4978

FCC ID : KA2WR710A1

Page Number : 1 of 38

Report Issued Date : Jun. 08, 2012

Report Version : Rev. 03



Table of Contents

1. Statement of Compliance	4
2. Administration Data	5
2.1 Testing Laboratory	5
2.2 Applicant	5
2.3 Manufacturer	5
2.4 Application Details	5
3. General Information	6
3.1 Description of Device Under Test (DUT)	6
3.2 Product Photos	7
3.3 Applied Standards	7
3.4 Device Category and SAR Limits	7
3.5 Test Conditions	7
4. Specific Absorption Rate (SAR)	8
4.1 Introduction	8
4.2 SAR Definition	8
5. SAR Measurement System	9
5.1 E-Field Probe	10
5.2 Data Acquisition Electronics (DAE)	11
5.3 Robot	11
5.4 Measurement Server	12
5.5 Phantom	12
5.6 Device Holder	13
5.7 Data Storage and Evaluation	15
5.8 Test Equipment List	17
6. Tissue Simulating Liquids	19
7. Uncertainty Assessment	21
8. SAR Measurement Evaluation	23
8.1 Purpose of System Performance check	23
8.2 System Setup	23
8.3 Validation Results	25
9. DUT Testing Position	26
10. Measurement Procedures	27
10.1 Spatial Peak SAR Evaluation	27
10.2 Area & Zoom Scan Procedures	28
10.3 Volume Scan Procedures	28
10.4 SAR Averaged Methods	28
10.5 Power Drift Monitoring	28
11. SAR Test Configurations	29
11.1 Exposure Positions Consideration	29
12. SAR Test Results	30
12.1 Conducted Power (Unit: dBm)	30
12.2 Test Records for Body SAR Test	35
12.3 Simultaneous Transmission SAR Analysis	37
13. References	38
Appendix A. Plots of System Performance Check	
Appendix B. Plots of SAR Measurement	
Appendix C. DASY Calibration Certificate	
Appendix D. Product Photos	
Appendix E. Test Setup Photos	
Appendix F. FCC 3G SAR Measurement Procedures	



Revision History

REPORT NO.	VERSION	DESCRIPTION	ISSUED DATE
FA220933-01	Rev. 01	Initial issue of report	Jun. 01, 2012
FA220933-01	Rev. 02	<ol style="list-style-type: none">1. Add simultaneous transmission SAR analysis in page 36.2. Add verification of WLAN output power in higher data rate.3. Address frequency, output power and power drift and WLAN SAR Data in section 12.2.	Jun. 07, 2012
FA220933-01	Rev. 03	Verify WLAN RF exposure compliance with the max target power level of all production units.	Jun. 08, 2012



1. Statement of Compliance

The maximum results of Specific Absorption Rate (SAR) found during testing for **D-Link Corporation Le Petit HSPA+ router DWR-710** are as follows.

Band	Position	SAR _{1g} (W/kg)
GSM850	Body (0.5 cm)	0.906
GSM1900	Body (0.5 cm)	1.18
WCDMA Band V	Body (0.5 cm)	0.555
WCDMA Band IV	Body (0.5 cm)	1.47
WCDMA Band II	Body (0.5 cm)	1.44
802.11 b/g/n	Body (0.5 cm)	0.021

This device is in compliance with Specific Absorption Rate (SAR) for general population/uncontrolled exposure limits (1.6 W/kg) specified in FCC 47 CFR part 2 (2.1093) and ANSI/IEEE C95.1-1992, and had been tested in accordance with the measurement methods and procedures specified in IEEE 1528-2003 and FCC OET Bulletin 65 Supplement C (Edition 01-01).



2. Administration Data

2.1 Testing Laboratory

Test Site	SPORTON INTERNATIONAL INC.
Test Site Location	No. 52, Hwa Ya 1 st Rd., Hwa Ya Technology Park, Kwei-Shan Hsiang, Tao Yuan Hsien, Taiwan, R.O.C. TEL: +886-3-327-3456 FAX: +886-3-328-4978

2.2 Applicant

Company Name	D-Link CORPORATION
Address	No. 289, Sinhu 3rd Rd, Neihu District Taipei City 114 Taiwan

2.3 Manufacturer

Company Name	AzureWave Technologies, Inc.
Address	8F., No. 94, Baozhong Rd., Xindian, Taipei Taiwan 231

2.4 Application Details

Date of Receipt of Application	Feb. 27, 2012
Date of Start during the Test	Feb. 27, 2012
Date of End during the Test	Jun, 07, 2012



3. General Information

3.1 Description of Device Under Test (DUT)

Product Feature & Specification	
EUT	Le Petit HSPA+ router
Brand Name	D-Link
Model Name	DWR-710
FCC ID	KA2WR710A1
Tx Frequency	GSM850: 824.2 MHz ~ 848.8 MHz GSM1900: 1850.2 MHz ~ 1909.8 MHz WCDMA Band V: 826.4 MHz ~ 846.6 MHz WCDMA Band IV: 1712.4 MHz ~ 1752.6 MHz WCDMA Band II: 1852.4 MHz ~ 1907.6 MHz 802.11b/g/n: 2412 MHz ~ 2462 MHz
Rx Frequency	GSM850: 869.2 MHz ~ 893.8 MHz GSM1900: 1930.2 MHz ~ 1989.8 MHz WCDMA Band V: 871.4 MHz ~ 891.6 MHz WCDMA Band IV: 2112.4 MHz ~ 2152.6 MHz WCDMA Band II: 1932.4 MHz ~ 1987.6 MHz 802.11b/g/n: 2412 MHz ~ 2462 MHz
Maximum Average Output Power to Antenna	GSM850: 32.73 dBm GSM1900: 29.27 dBm WCDMA Band V: 22.50 dBm WCDMA Band IV: 22.40 dBm WCDMA Band II: 21.62 dBm 802.11b: 9.59 dBm 802.11g: 9.44 dBm 802.11n (2.4GHz): 9.49 dBm (BW 20MHz) 802.11n (2.4GHz): 9.75 dBm (BW 40MHz)
Antenna Type	WWAN: Fixed External Antenna WLAN: Chip Antenna
HW Version	A1
SW Version	v1.00
Type of Modulation	GPRS: GMSK EDGE: GMSK / 8PSK WCDMA: QPSK (uplink) HSDPA: QPSK (uplink) HSUPA: QPSK (uplink) HSPA+:Release 7: 16QAM 802.11b: DSSS (BPSK / QPSK / CCK) 802.11g/n : OFDM (BPSK / QPSK / 16QAM / 64QAM)
DUT Stage	Identical Prototype
Remark:	1. The above DUT's information was declared by manufacturer. Please refer to the specifications or user's manual for more detailed description. 2. Voice call is not supported.



3.2 Product Photos

Please refer to Appendix D

3.3 Applied Standards

The Specific Absorption Rate (SAR) testing specification, method and procedure for this device is in accordance with the following standards:

- FCC 47 CFR Part 2 (2.1093)
- ANSI/IEEE C95.1-1992
- IEEE 1528-2003
- FCC OET Bulletin 65 Supplement C (Edition 01-01)
- FCC KDB 447498 D01 v04
- FCC KDB 447498 D02 v02
- FCC KDB 941225 D01 v02
- FCC KDB 941225 D03 v01
- FCC KDB 248227 D01 v01r02

3.4 Device Category and SAR Limits

This device belongs to portable device category because its radiating structure is allowed to be used within 20 centimeters of the body of the user. Limit for General Population/Uncontrolled exposure should be applied for this device, it is 1.6 W/kg as averaged over any 1 gram of tissue.

3.5 Test Conditions

3.5.1 Ambient Condition

Ambient Temperature	20 to 24 °C
Humidity	< 60 %

3.5.2 Test Configuration

The device was controlled by using a base station emulator. Communication between the device and the emulator was established by air link. The distance between the DUT and the antenna of the emulator is larger than 50 cm and the output power radiated from the emulator antenna is at least 30 dB smaller than the output power of DUT. The DUT was set from the emulator to radiate maximum output power during all tests.

For WLAN SAR testing, WLAN engineering testing software installed on the DUT can provide continuous transmitting RF signal.

4. Specific Absorption Rate (SAR)

4.1 Introduction

SAR is related to the rate at which energy is absorbed per unit mass in an object exposed to a radio field. The SAR distribution in a biological body is complicated and is usually carried out by experimental techniques or numerical modeling. The standard recommends limits for two tiers of groups, occupational/controlled and general population/uncontrolled, based on a person's awareness and ability to exercise control over his or her exposure. In general, occupational/controlled exposure limits are higher than the limits for general population/uncontrolled.

4.2 SAR Definition

The SAR definition is the time derivative (rate) of the incremental energy (dW) absorbed by (dissipated in) an incremental mass (dm) contained in a volume element (dv) of a given density (ρ). The equation description is as below:

$$\text{SAR} = \frac{d}{dt} \left(\frac{dW}{dm} \right) = \frac{d}{dt} \left(\frac{dW}{\rho dv} \right)$$

SAR is expressed in units of Watts per kilogram (W/kg)

SAR measurement can be either related to the temperature elevation in tissue by

$$\text{SAR} = C \left(\frac{\delta T}{\delta t} \right)$$

Where: C is the specific heat capacity, δT is the temperature rise and δt is the exposure duration, or related to the electrical field in the tissue by

$$\text{SAR} = \frac{\sigma |E|^2}{\rho}$$

Where: σ is the conductivity of the tissue, ρ is the mass density of the tissue and E is the RMS electrical field strength.

However for evaluating SAR of low power transmitter, electrical field measurement is typically applied.

5. SAR Measurement System

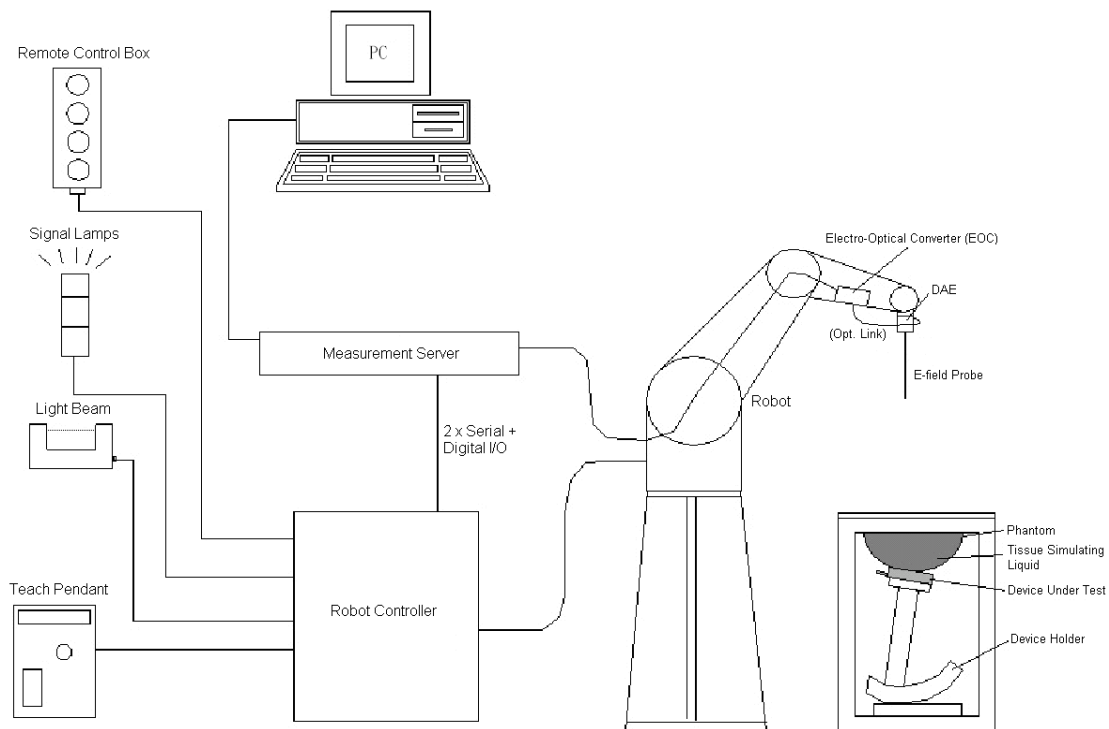


Fig 5.1 SPEAG DASY System Configurations

The DASY system for performance compliance tests is illustrated above graphically. This system consists of the following items:

- A standard high precision 6-axis robot with controller, a teach pendant and software
- A data acquisition electronic (DAE) attached to the robot arm extension
- A dosimetric probe equipped with an optical surface detector system
- The electro-optical converter (ECO) performs the conversion between optical and electrical signals
- A measurement server performs the time critical tasks such as signal filtering, control of the robot operation and fast movement interrupts.
- A probe alignment unit which improves the accuracy of the probe positioning
- A computer operating Windows XP
- DASY software
- Remote control with teach pendant and additional circuitry for robot safety such as warning lamps, etc.
- The SAM twin phantom
- A device holder
- Tissue simulating liquid
- Dipole for evaluating the proper functioning of the system

Some of the components are described in details in the following sub-sections.

5.1 E-Field Probe

The SAR measurement is conducted with the dosimetric probe (manufactured by SPEAG). The probe is specially designed and calibrated for use in liquid with high permittivity. The dosimetric probe has special calibration in liquid at different frequency. This probe has a built in optical surface detection system to prevent from collision with phantom.

5.1.1 E-Field Probe Specification

<ET3DV6 / ET3DV6R Probe >

Construction	Symmetrical design with triangular core Built-in optical fiber for surface detection system. Built-in shielding against static charges. PEEK enclosure material (resistant to organic solvents, e.g., DGBE)
Frequency	10 MHz to 3 GHz; Linearity: ± 0.2 dB
Directivity	± 0.2 dB in HSL (rotation around probe axis) ± 0.4 dB in HSL (rotation normal to probe axis)
Dynamic Range	5 μ W/g to 100 mW/g; Linearity: ± 0.2 dB
Dimensions	Overall length: 330 mm (Tip: 16 mm) Tip diameter: 6.8 mm (Body: 12 mm) Distance from probe tip to dipole centers: 2.7 mm



Fig 5.2 Photo of ET3DV6/ET3DV6R

<EX3DV4 / ES3DV4 Probe>

Construction	Symmetrical design with triangular core Built-in shielding against static charges PEEK enclosure material (resistant to organic solvents, e.g., DGBE)
Frequency	10 MHz to 6 GHz; Linearity: ± 0.2 dB
Directivity	± 0.3 dB in HSL (rotation around probe axis) ± 0.5 dB in tissue material (rotation normal to probe axis)
Dynamic Range	10 μ W/g to 100 mW/g; Linearity: ± 0.2 dB (noise: typically < 1 μ W/g)
Dimensions	Overall length: 330 mm (Tip: 20 mm) Tip diameter: 2.5 mm (Body: 12 mm) Typical distance from probe tip to dipole centers: 1 mm



Fig 5.3 Photo of EX3DV4/ES3DV4

5.1.2 E-Field Probe Calibration

Each probe needs to be calibrated according to a dosimetric assessment procedure with accuracy better than $\pm 10\%$. The spherical isotropy shall be evaluated and within ± 0.25 dB. The sensitivity parameters (NormX, NormY, and NormZ), the diode compression parameter (DCP) and the conversion factor (ConvF) of the probe are tested. The calibration data can be referred to appendix C of this report.

5.2 Data Acquisition Electronics (DAE)

The data acquisition electronics (DAE) consists of a highly sensitive electrometer-grade preamplifier with auto-zeroing, a channel and gain-switching multiplexer, a fast 16 bit AD-converter and a command decoder and control logic unit. Transmission to the measurement server is accomplished through an optical downlink for data and status information as well as an optical uplink for commands and the clock.

The input impedance of the DAE is 200 MOhm; the inputs are symmetrical and floating. Common mode rejection is above 80 dB.



Fig 5.4 Photo of DAE

5.3 Robot

The SPEAG DASY system uses the high precision robots (DASY4: RX90BL; DASY5: TX90XL) type from Stäubli SA (France). For the 6-axis controller system, the robot controller version (DASY4: CS7MB; DASY5: CS8c) from Stäubli is used. The Stäubli robot series have many features that are important for our application:

- High precision (repeatability ± 0.035 mm)
- High reliability (industrial design)
- Jerk-free straight movements
- Low ELF interference (the closed metallic construction shields against motor control fields)



Fig 5.1 Photo of DASY4



Fig 5.2 Photo of DASY5

5.4 Measurement Server

The measurement server is based on a PC/104 CPU board with CPU (DASY4: 166 MHz, Intel Pentium; DASY5: 400 MHz, Intel Celeron), chipdisk (DASY4: 32 MB; DASY5: 128 MB), RAM (DASY4: 64 MB, DASY5: 128 MB). The necessary circuits for communication with the DAE electronic box, as well as the 16 bit AD converter system for optical detection and digital I/O interface are contained on the DASY I/O board, which is directly connected to the PC/104 bus of the CPU board.

The measurement server performs all the real-time data evaluation for field measurements and surface detection, controls robot movements and handles safety operations.



Fig 5.1 Photo of Server for DASY4



Fig 5.2 Photo of Server for DASY5

5.5 Phantom

<SAM Twin Phantom>

Shell Thickness	2 ± 0.2 mm; Center ear point: 6 ± 0.2 mm
Filling Volume	Approx. 25 liters
Dimensions	Length: 1000 mm; Width: 500 mm; Height: adjustable feet
Measurement Areas	Left Hand, Right Hand, Flat Phantom



Fig 5.3 Photo of SAM Phantom

The bottom plate contains three pair of bolts for locking the device holder. The device holder positions are adjusted to the standard measurement positions in the three sections. A white cover is provided to tap the phantom during off-periods to prevent water evaporation and changes in the liquid parameters. On the phantom top, three reference markers are provided to identify the phantom position with respect to the robot.

<ELI4 Phantom>

Shell Thickness	2 ± 0.2 mm (sagging: <1%)
Filling Volume	Approx. 30 liters
Dimensions	Major ellipse axis: 600 mm Minor axis: 400 mm



Fig 5.4 Photo of ELI4 Phantom

The ELI4 phantom is intended for compliance testing of handheld and body-mounted wireless devices in the frequency range of 30 MHz to 6 GHz. ELI4 is fully compatible with standard and all known tissue simulating liquids.

5.6 Device Holder

<Device Holder for SAM Twin Phantom>

The SAR in the phantom is approximately inversely proportional to the square of the distance between the source and the liquid surface. For a source at 5 mm distance, a positioning uncertainty of ± 0.5 mm would produce a SAR uncertainty of ± 20 %. Accurate device positioning is therefore crucial for accurate and repeatable measurements. The positions in which the devices must be measured are defined by the standards.

The DASY device holder is designed to cope with different positions given in the standard. It has two scales for the device rotation (with respect to the body axis) and the device inclination (with respect to the line between the ear reference points). The rotation center for both scales is the ear reference point (EPR). Thus the device needs no repositioning when changing the angles.

The DASY device holder is constructed of low-loss POM material having the following dielectric parameters: relative permittivity $\epsilon = 3$ and loss tangent $\delta = 0.02$. The amount of dielectric material has been reduced in the closest vicinity of the device, since measurements have suggested that the influence of the clamp on the test results could thus be lowered.



Fig 5.5 Device Holder

<Laptop Extension Kit>

The extension is lightweight and made of POM, acrylic glass and foam. It fits easily on the upper part of the mounting device in place of the phone positioned. The extension is fully compatible with the SAM Twin and ELI phantoms.

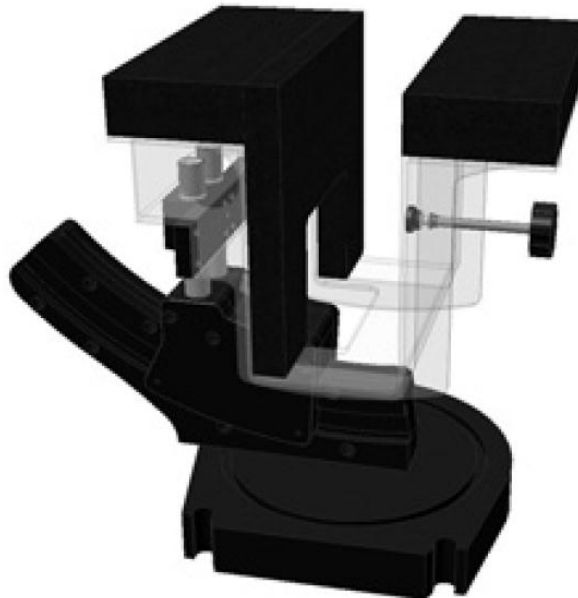


Fig 5.6 Laptop Extension Kit



5.7 Data Storage and Evaluation

5.7.1 Data Storage

The DASY software stores the assessed data from the data acquisition electronics as raw data (in microvolt readings from the probe sensors), together with all the necessary software parameters for the data evaluation (probe calibration data, liquid parameters and device frequency and modulation data) in measurement files. The post-processing software evaluates the desired unit and format for output each time the data is visualized or exported. This allows verification of the complete software setup even after the measurement and allows correction of erroneous parameter settings. For example, if a measurement has been performed with an incorrect crest factor parameter in the device setup, the parameter can be corrected afterwards and the data can be reevaluated.

The measured data can be visualized or exported in different units or formats, depending on the selected probe type (e.g., [V/m], [A/m], [mW/g]). Some of these units are not available in certain situations or give meaningless results, e.g., a SAR-output in a non-lose media, will always be zero. Raw data can also be exported to perform the evaluation with other software packages.

5.7.2 Data Evaluation

The DASY post-processing software (SEMCAD) automatically executes the following procedures to calculate the field units from the microvolt readings at the probe connector. The parameters used in the evaluation are stored in the configuration modules of the software :

Probe parameters :	- Sensitivity	Norm _i , a ₁₀ , a ₁₁ , a ₁₂
	- Conversion factor	ConvF _i
	- Diode compression point	dcp _i
Device parameters :	- Frequency	f
	- Crest factor	cf
Media parameters :	- Conductivity	σ
	- Density	ρ

These parameters must be set correctly in the software. They can be found in the component documents or they can be imported into the software from the configuration files issued for the DASY components. In the direct measuring mode of the multi-meter option, the parameters of the actual system setup are used. In the scan visualization and export modes, the parameters stored in the corresponding document files are used.

The first step of the evaluation is a linearization of the filtered input signal to account for the compression characteristics of the detector diode. The compensation depends on the input signal, the diode type and the DC-transmission factor from the diode to the evaluation electronics. If the exciting field is pulsed, the crest factor of the signal must be known to correctly compensate for peak power.

The formula for each channel can be given as :

$$V_i = U_i + U_i^2 \cdot \frac{cf}{dcp_i}$$

with V_i = compensated signal of channel i, (i = x, y, z)
 U_i = input signal of channel i, (i = x, y, z)
 cf = crest factor of exciting field (DASY parameter)
 dcp_i = diode compression point (DASY parameter)

From the compensated input signals, the primary field data for each channel can be evaluated :

$$\text{E-field Probes : } E_i = \sqrt{\frac{V_i}{\text{Norm}_i \cdot \text{ConvF}}}$$

$$\text{H-field Probes : } H_i = \sqrt{V_i} \cdot \frac{a_{i0} + a_{i1}f + a_{i2}f^2}{f}$$

with V_i = compensated signal of channel i, (i = x, y, z)
 Norm_i = sensor sensitivity of channel i, (i = x, y, z), $\mu\text{V}/(\text{V/m})^2$ for E-field Probes
 ConvF = sensitivity enhancement in solution
 a_{ij} = sensor sensitivity factors for H-field probes
 f = carrier frequency [GHz]
 E_i = electric field strength of channel i in V/m
 H_i = magnetic field strength of channel i in A/m

The RSS value of the field components gives the total field strength (Hermitian magnitude) :

$$E_{\text{tot}} = \sqrt{E_x^2 + E_y^2 + E_z^2}$$

The primary field data are used to calculate the derived field units.

$$\text{SAR} = E_{\text{tot}}^2 \cdot \frac{\sigma}{\rho \cdot 1000}$$

with SAR = local specific absorption rate in mW/g
 E_{tot} = total field strength in V/m
 σ = conductivity in [mho/m] or [Siemens/m]
 ρ = equivalent tissue density in g/cm³

Note that the density is set to 1, to account for actual head tissue density rather than the density of the tissue simulating liquid.



5.8 Test Equipment List

Manufacturer	Name of Equipment	Type/Model	Serial Number	Calibration	
				Last Cal.	Due Date
SPEAG	Dosimetric E-Field Probe	ET3DV6	1787	May 20, 2011	May 19, 2012
SPEAG	Dosimetric E-Field Probe	ET3DV6	1788	Jan. 26, 2012	Jan. 25, 2013
SPEAG	Dosimetric E-Field Probe	EX3DV4	3792	Jun. 20, 2011	Jun. 19, 2012
SPEAG	Dosimetric E-Field Probe	EX3DV4	3819	Nov. 16, 2011	Nov. 15, 2012
SPEAG	835MHz System Validation Kit	D835V2	499	Mar. 22, 2010	Mar. 21, 2013
SPEAG	1750MHz System Validation Kit	D1750V2	1023	Jun. 16, 2011	Jun. 15, 2012
SPEAG	1900MHz System Validation Kit	D1900V2	5d041	Mar. 23, 2010	Mar. 22, 2013
SPEAG	2450MHz System Validation Kit	D2450V2	736	Jul. 25, 2011	Jul. 24, 2012
SPEAG	Data Acquisition Electronics	DAE3	577	Jun. 20, 2011	Jun. 19, 2012
SPEAG	Data Acquisition Electronics	DAE4	913	Dec. 23, 2011	Dec. 22, 2012
SPEAG	Data Acquisition Electronics	DAE4	1279	Jun. 17, 2011	Jun. 16, 2012
SPEAG	Device Holder	N/A	N/A	NCR	NCR
SPEAG	SAM Phantom	QD 000 P40 C	TP-1303	NCR	NCR
SPEAG	SAM Phantom	QD 000 P40 C	TP-1383	NCR	NCR
SPEAG	SAM Phantom	QD 000 P40 C	TP-1446	NCR	NCR
SPEAG	SAM Phantom	QD 000 P40 C	TP-1478	NCR	NCR
SPEAG	SAM Phantom	QD 000 P41 C	TP-1150	NCR	NCR
SPEAG	SAM Phantom	QD 000 P40 CD	TP-1644	NCR	NCR
SPEAG	SAM Phantom	SM 000 T01 DA	TP-1542	NCR	NCR
SPEAG	ELI4 Phantom	QD 0VA 001 BB	1026	NCR	NCR
SPEAG	ELI4 Phantom	QD 0VA 001 BA	1029	NCR	NCR
SPEAG	ELI4 Phantom	QD 0VA 002 AA	TP-1127	NCR	NCR
SPEAG	ELI4 Phantom	QD 0VA 002 AA	TP-1131	NCR	NCR



Manufacturer	Name of Equipment	Type/Model	Serial Number	Calibration	
				Last Cal.	Due Date
Agilent	ENA Series Network Analyzer	E5071C	MY46100746	Jun. 10, 2011	Jun. 09, 2012
Agilent	ESG Vector Series Signal Generator	E4438C	MY49070755	Oct. 17, 2011	Oct. 16, 2012
Anritsu	Power Meter	ML2495A	932001	Sep. 21, 2011	Sep. 20, 2012
Anritsu	Radio Communication Analyzer	MT8820C	6201074414	Dec. 21, 2011	Dec. 20, 2012
Agilent	Wireless Communication Test Set	E5515C	MY48360820	Jan. 05, 2012	Jan. 04, 2014
Agilent	Wireless Communication Test Set	E5515C	GB46311322	Mar. 23, 2011	Mar. 22, 2013
Agilent	Wireless Communication Test Set	E5515C	MY50264370	Apr. 19, 2011	Apr. 18, 2013
Agilent	Wireless Communication Test Set	E5515C	MY50266977	Nov. 13, 2011	Nov. 12, 2013
R&S	Universal Digital Radio communication Tester	CMU200	117995	Jul. 28, 2011	Jul. 27, 2012
R&S	Spectrum Analyzer	FSP7	101131	Jul. 29, 2011	Jul. 28, 2012
R&S	Spectrum Analyzer	FSP30	101329	May 03, 2011	May 02, 2012

Table 5.1 Test Equipment List

Note:

1. The calibration certificate of DASY can be referred to appendix C of this report.
2. Referring to KDB450824 D02, the dipole calibration interval can be extended to 3 years with justification. The dipoles are also not physically damaged, or repaired during the interval.
3. The justification data of dipole D835V2, SN: 499, D1900V2, SN: 5d041 can be found in appendix C. The return loss is < -20dB, within 20% of prior calibration, the impedance is within 5 ohm of prior calibration.

6. Tissue Simulating Liquids

For the measurement of the field distribution inside the SAM phantom with DASY, the phantom must be filled with around 25 liters of homogeneous body tissue simulating liquid. For head SAR testing, the liquid height from the ear reference point (ERP) of the phantom to the liquid top surface is larger than 15 cm, which is shown in Fig. 6.1. For body SAR testing, the liquid height from the center of the flat phantom to the liquid top surface is larger than 15 cm, which is shown in Fig. 6.2.

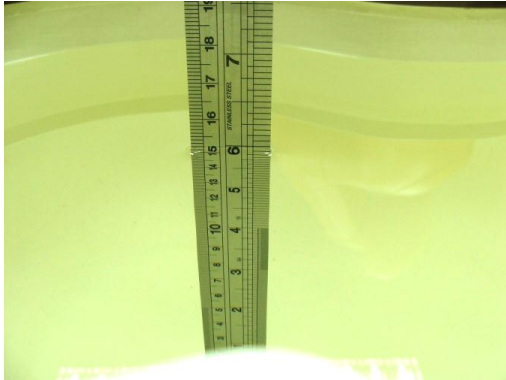


Fig 6.1 Photo of Liquid Height for Head SAR

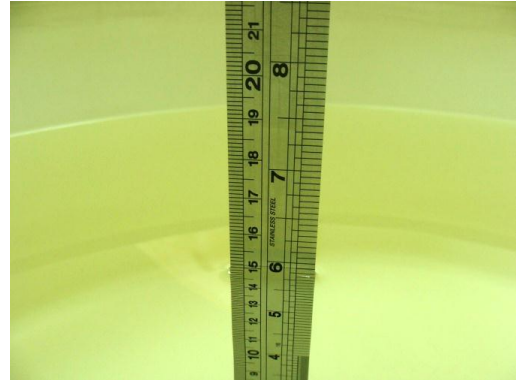


Fig 6.2 Photo of Liquid Height for Body SAR

The following table gives the recipes for tissue simulating liquid.

Frequency (MHz)	Water (%)	Sugar (%)	Cellulose (%)	Salt (%)	Preventol (%)	DGBE (%)	Conductivity (σ)	Permittivity (ϵ_r)
For Body								
835	50.8	48.2	0	0.9	0.1	0	0.97	55.2
1800, 1900, 2000	70.2	0	0	0.4	0	29.4	1.52	53.3
2450	68.6	0	0	0	0	31.4	1.95	52.7

Table 6.1 Recipes of Tissue Simulating Liquid



The dielectric parameters of the liquids were verified prior to the SAR evaluation using an Agilent 85070D Dielectric Probe Kit and an Agilent Network Analyzer.

The following table shows the measuring results for simulating liquid.

Freq. (MHz)	Liquid Type	Temp. (°C)	Conductivity (σ)	Permittivity (ϵ_r)	Conductivity Target (σ)	Permittivity Target (ϵ_r)	Delta (σ) (%)	Delta (ϵ_r) (%)	Limit (%)	Date
835	Body	21.4	0.963	54.5	0.97	55.2	-0.72	-1.27	± 5	Feb. 27, 2012
1750	Body	21.6	1.55	51.7	1.52	53.3	1.97	-3.00	± 5	Apr. 23, 2012
1900	Body	21.6	1.53	52.7	1.52	53.3	0.66	-1.13	± 5	Apr. 16, 2012
1900	Body	21.7	1.55	53.2	1.52	53.3	1.97	-0.19	± 5	Apr. 23, 2012
2450	Body	21.5	1.966	52.714	1.95	52.7	0.82	0.03	± 5	Jun. 07, 2012

Table 6.2 Measuring Results for Simulating Liquid

7. Uncertainty Assessment

The component of uncertainty may generally be categorized according to the methods used to evaluate them. The evaluation of uncertainty by the statistical analysis of a series of observations is termed a Type A evaluation of uncertainty. The evaluation of uncertainty by means other than the statistical analysis of a series of observation is termed a Type B evaluation of uncertainty. Each component of uncertainty, however evaluated, is represented by an estimated standard deviation, termed standard uncertainty, which is determined by the positive square root of the estimated variance.

A Type A evaluation of standard uncertainty may be based on any valid statistical method for treating data. This includes calculating the standard deviation of the mean of a series of independent observations; using the method of least squares to fit a curve to the data in order to estimate the parameter of the curve and their standard deviations; or carrying out an analysis of variance in order to identify and quantify random effects in certain kinds of measurement.

A type B evaluation of standard uncertainty is typically based on scientific judgment using all of the relevant information available. These may include previous measurement data, experience and knowledge of the behavior and properties of relevant materials and instruments, manufacture’s specification, data provided in calibration reports and uncertainties assigned to reference data taken from handbooks. Broadly speaking, the uncertainty is either obtained from an outdoor source or obtained from an assumed distribution, such as the normal distribution, rectangular or triangular distributions indicated in Table 7.1

Uncertainty Distributions	Normal	Rectangular	Triangular	U-Shape
Multi-plying Factor ^(a)	1/k ^(b)	1/√3	1/√6	1/√2

(a) standard uncertainty is determined as the product of the multiplying factor and the estimated range of variations in the measured quantity

(b) κ is the coverage factor

Table 7.1 Standard Uncertainty for Assumed Distribution

The combined standard uncertainty of the measurement result represents the estimated standard deviation of the result. It is obtained by combining the individual standard uncertainties of both Type A and Type B evaluation using the usual “root-sum-squares” (RSS) methods of combining standard deviations by taking the positive square root of the estimated variances.

Expanded uncertainty is a measure of uncertainty that defines an interval about the measurement result within which the measured value is confidently believed to lie. It is obtained by multiplying the combined standard uncertainty by a coverage factor. Typically, the coverage factor ranges from 2 to 3. Using a coverage factor allows the true value of a measured quantity to be specified with a defined probability within the specified uncertainty range. For purpose of this document, a coverage factor two is used, which corresponds to confidence interval of about 95 %. The DASY uncertainty Budget is showed in Table 7.2.



Error Description	Uncertainty Value (±%)	Probability Distribution	Divisor	Ci (1g)	Standard Uncertainty (1g)
Measurement System					
Probe Calibration	6.0	Normal	1	1	± 6.0 %
Axial Isotropy	4.7	Rectangular	√3	0.7	± 1.9 %
Hemispherical Isotropy	9.6	Rectangular	√3	0.7	± 3.9 %
Boundary Effects	1.0	Rectangular	√3	1	± 0.6 %
Linearity	4.7	Rectangular	√3	1	± 2.7 %
System Detection Limits	1.0	Rectangular	√3	1	± 0.6 %
Readout Electronics	0.3	Normal	1	1	± 0.3 %
Response Time	0.8	Rectangular	√3	1	± 0.5 %
Integration Time	2.6	Rectangular	√3	1	± 1.5 %
RF Ambient Noise	3.0	Rectangular	√3	1	± 1.7 %
RF Ambient Reflections	3.0	Rectangular	√3	1	± 1.7 %
Probe Positioner	0.4	Rectangular	√3	1	± 0.2 %
Probe Positioning	2.9	Rectangular	√3	1	± 1.7 %
Max. SAR Eval.	1.0	Rectangular	√3	1	± 0.6 %
Test Sample Related					
Device Positioning	2.9	Normal	1	1	± 2.9 %
Device Holder	3.6	Normal	1	1	± 3.6 %
Power Drift	5.0	Rectangular	√3	1	± 2.9 %
Phantom and Setup					
Phantom Uncertainty	4.0	Rectangular	√3	1	± 2.3 %
Liquid Conductivity (Target)	5.0	Rectangular	√3	0.64	± 1.8 %
Liquid Conductivity (Meas.)	2.5	Normal	1	0.64	± 1.6 %
Liquid Permittivity (Target)	5.0	Rectangular	√3	0.6	± 1.7 %
Liquid Permittivity (Meas.)	2.5	Normal	1	0.6	± 1.5 %
Combined Standard Uncertainty					± 11.0 %
Coverage Factor for 95 %					K = 2
Expanded Uncertainty					± 22.0 %

Table 7.2 Uncertainty Budget of DASYS for frequency range 300 MHz to 3 GHz

8. SAR Measurement Evaluation

Each DASY system is equipped with one or more system validation kits. These units, together with the predefined measurement procedures within the DASY software, enable the user to conduct the system performance check and system validation. System validation kit includes a dipole, tripod holder to fix it underneath the flat phantom and a corresponding distance holder.

8.1 Purpose of System Performance check

The system performance check verifies that the system operates within its specifications. System and operator errors can be detected and corrected. It is recommended that the system performance check be performed prior to any usage of the system in order to guarantee reproducible results. The system performance check uses normal SAR measurements in a simplified setup with a well characterized source. This setup was selected to give a high sensitivity to all parameters that might fail or vary over time. The system check does not intend to replace the calibration of the components, but indicates situations where the system uncertainty is exceeded due to drift or failure.

8.2 System Setup

In the simplified setup for system evaluation, the DUT is replaced by a calibrated dipole and the power source is replaced by a continuous wave that comes from a signal generator. The calibrated dipole must be placed beneath the flat phantom section of the SAM twin phantom with the correct distance holder. The distance holder should touch the phantom surface with a light pressure at the reference marking and be oriented parallel to the long side of the phantom. The equipment setup is shown below:

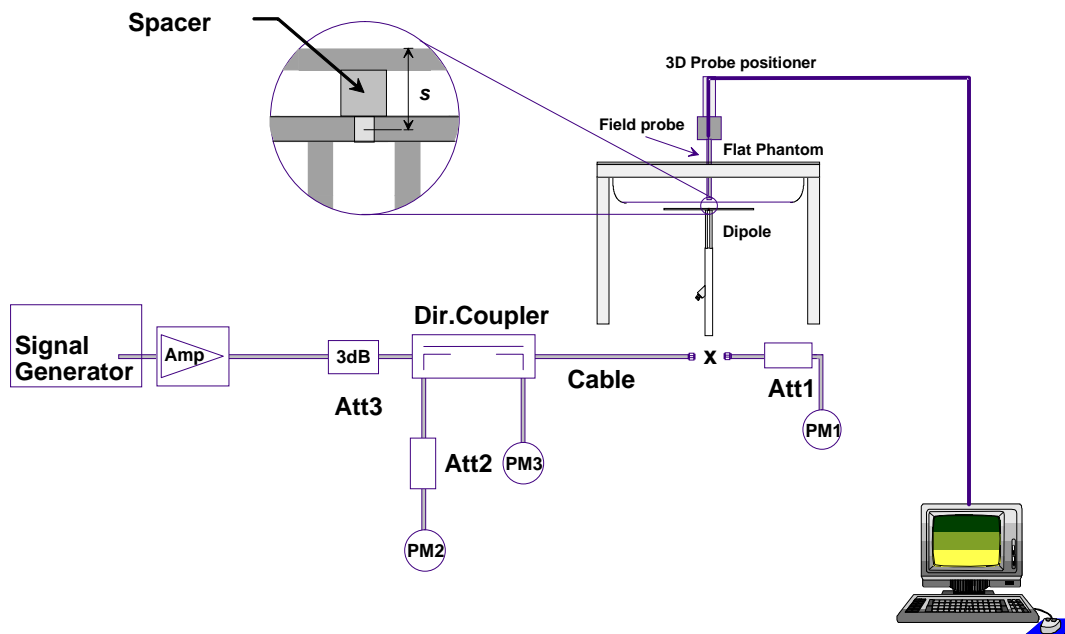


Fig 8.1 System Setup for System Evaluation

1. Signal Generator
2. Amplifier
3. Directional Coupler
4. Power Meter
5. Calibrated Dipole

The output power on dipole port must be calibrated to 24 dBm (250 mW) before dipole is connected.

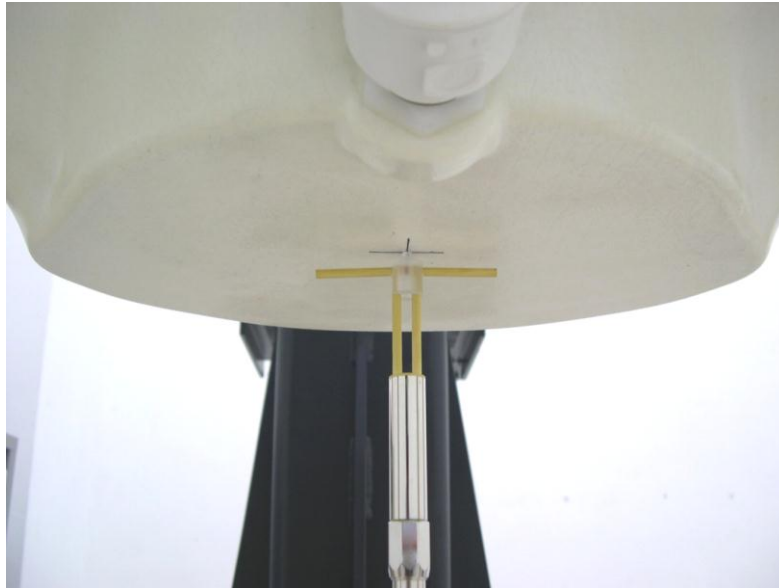


Fig 8.2 Photo of Dipole Setup



8.3 Validation Results

Comparing to the original SAR value provided by SPEAG, the validation data should be within its specification of 10 %. Table 8.1 shows the target SAR and measured SAR after normalized to 1W input power. The table below indicates the system performance check can meet the variation criterion and the plots can be referred to Appendix A of this report.

Measurement Date	Frequency (MHz)	Liquid Type	Targeted SAR _{1g} (W/kg)	Measured SAR _{1g} (W/kg)	Normalized SAR _{1g} (W/kg)	Deviation (%)
Feb. 27, 2012	835	Body	9.82	2.39	9.56	-2.65
Apr. 23, 2012	1750	Body	36.8	8.86	35.44	-3.70
Apr. 16, 2012	1900	Body	40	9.65	38.60	-3.50
Apr. 23, 2012	1900	Body	40	10.1	40.40	1.00
Jun. 07, 2012	2450	Body	52.3	12.2	48.80	-6.69

Table 8.1 Target and Measurement SAR after Normalized

9. DUT Testing Position

This DUT was tested in four different USB configurations. They are “direct laptop plug-in for configuration 1 and 3”, “USB cable plug-in for configuration 2 and 4”, and “USB cable plug-in for Tip Mode (the tip of the DUT)” shown as below. Both direct laptop plug-in and USB cable plug-in test configurations are tested with 5 cm separation between the particular dongle orientation and the flat phantom. Please refer to Appendix E for the test setup photos.





			
Configuration 1 (Horizontal Up)	Configuration 2 (Horizontal Down)	Configuration 3 (Vertical Front)	Configuration 4 (Vertical Back)

Fig 9.1 Illustration for USB Connector Orientations



10. Measurement Procedures

The measurement procedures are as follows:

- (a) Use base station simulator (if applicable) or engineering software to transmit RF power continuously (continuous Tx) in the highest power channel.
- (b) Keep DUT to radiate maximum output power or 100% duty factor (if applicable)
- (c) Measure output power through RF cable and power meter.
- (d) Place the DUT in the positions as Appendix E demonstrates.
- (e) Set scan area, grid size and other setting on the DASY software.
- (f) Measure SAR results for the highest power channel on each testing position.
- (g) Find out the largest SAR result on these testing positions of each band
- (h) Measure SAR results for other channels in worst SAR testing position if the SAR of highest power channel is larger than 0.8 W/kg

According to the test standard, the recommended procedure for assessing the peak spatial-average SAR value consists of the following steps:

- (a) Power reference measurement
- (b) Area scan
- (c) Zoom scan
- (d) Power drift measurement

10.1 Spatial Peak SAR Evaluation

The procedure for spatial peak SAR evaluation has been implemented according to the test standard. It can be conducted for 1g and 10g, as well as for user-specific masses. The DASY software includes all numerical procedures necessary to evaluate the spatial peak SAR value.

The base for the evaluation is a "cube" measurement. The measured volume must include the 1g and 10g cubes with the highest averaged SAR values. For that purpose, the center of the measured volume is aligned to the interpolated peak SAR value of a previously performed area scan.

The entire evaluation of the spatial peak values is performed within the post-processing engine (SEMCAD). The system always gives the maximum values for the 1g and 10g cubes. The algorithm to find the cube with highest averaged SAR is divided into the following stages:

- (a) Extraction of the measured data (grid and values) from the Zoom Scan
- (b) Calculation of the SAR value at every measurement point based on all stored data (A/D values and measurement parameters)
- (c) Generation of a high-resolution mesh within the measured volume
- (d) Interpolation of all measured values from the measurement grid to the high-resolution grid
- (e) Extrapolation of the entire 3-D field distribution to the phantom surface over the distance from sensor to surface
- (f) Calculation of the averaged SAR within masses of 1g and 10g



10.2 Area & Zoom Scan Procedures

First Area Scan is used to locate the approximate location(s) of the local peak SAR value(s). The measurement grid within an Area Scan is defined by the grid extent, grid step size and grid offset. Next, in order to determine the EM field distribution in a three-dimensional spatial extension, Zoom Scan is required. The Zoom Scan measures 5x5x7 points with step size 8, 8 and 5 mm for 300 MHz to 3 GHz, and 8x8x8 points with step size 4, 4 and 2.5 mm for 3 GHz to 6 GHz. The Zoom Scan is performed around the highest E-field value to determine the averaged SAR-distribution over 10 g.

10.3 Volume Scan Procedures

The volume scan is used for assess overlapping SAR distributions for antennas transmitting in different frequency bands. It is equivalent to an oversized zoom scan used in standalone measurements. The measurement volume will be used to enclose all the simultaneous transmitting antennas. For antennas transmitting simultaneously in different frequency bands, the volume scan is measured separately in each frequency band. In order to sum correctly to compute the 1g aggregate SAR, the DUT remain in the same test position for all measurements and all volume scan use the same spatial resolution and grid spacing (step-size is 4, 4 and 2.5 mm). When all volume scan were completed, the software, SEMCAD postprocessor can combine and subsequently superpose these measurement data to calculating the multiband SAR.

10.4 SAR Averaged Methods

In DASy, the interpolation and extrapolation are both based on the modified Quadratic Shepard's method. The interpolation scheme combines a least-square fitted function method and a weighted average method which are the two basic types of computational interpolation and approximation.

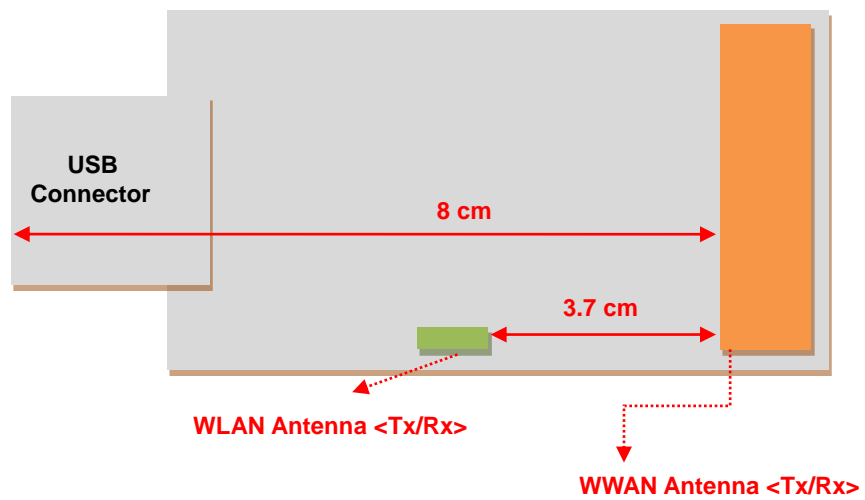
Extrapolation routines are used to obtain SAR values between the lowest measurement points and the inner phantom surface. The extrapolation distance is determined by the surface detection distance and the probe sensor offset. The uncertainty increases with the extrapolation distance. To keep the uncertainty within 1% for the 1 g and 10 g cubes, the extrapolation distance should not be larger than 5 mm.

10.5 Power Drift Monitoring

All SAR testing is under the DUT install full charged battery and transmit maximum output power. In DASy measurement software, the power reference measurement and power drift measurement procedures are used for monitoring the power drift of DUT during SAR test. Both these procedures measure the field at a specified reference position before and after the SAR testing. The software will calculate the field difference in dB. If the power drift more than 5%, the SAR will be retested.

11. SAR Test Configurations

11.1 Exposure Positions Consideration



Antenna	Length	Width
WLAN Antenna <Tx / Rx>	0.6 cm	0.2 cm
WWAN Antenna <Tx / Rx>	2.5 cm	1.3 cm



12. SAR Test Results

12.1 Conducted Power (Unit: dBm)

<GPRS / EDGE>

Band	Burst Average Power					
	GSM850			GSM1900		
Channel	128	189	251	512	661	810
Frequency (MHz)	824.2	836.4	848.8	1850.2	1880.0	1909.8
GPRS 8 (1 Uplink) – CS1	32.73	32.64	32.67	29.16	29.27	29.23
GPRS 10 (2 Uplink) – CS1	31.09	31.00	31.04	26.14	26.23	26.32
GPRS 11 (3 Uplink) – CS1	29.62	29.58	29.66	24.59	24.49	24.53
GPRS 12 (4 Uplink) – CS1	28.12	28.04	28.04	23.08	23.16	23.28
EDGE 8 (GMSK, 1 Uplink) – MCS1	32.70	32.60	32.64	29.05	29.17	29.23
EDGE 10 (GMSK, 2 Uplink) – MCS1	31.05	30.97	31.00	26.11	26.25	26.30
EDGE 11 (GMSK, 3 Uplink) – MCS1	29.65	29.55	29.54	24.41	24.51	24.55
EDGE 12 (GMSK, 4 Uplink) – MCS1	28.02	27.94	27.95	23.07	23.17	23.26
EDGE 8 (8PSK, 1 Uplink) – MCS9	26.72	26.65	26.69	27.06	27.03	27.05
EDGE 10 (8PSK, 2 Uplink) – MCS9	26.72	26.65	26.68	25.17	25.27	25.37
EDGE 11 (8PSK, 3 Uplink) – MCS9	25.93	25.86	25.99	24.20	24.30	24.38
EDGE 12 (8PSK, 4 Uplink) – MCS9	24.74	24.68	24.71	21.26	21.39	21.45

Note: Maximum burst average power in the table above.



Source-Based Time-Averaged Power						
Band	GSM850			GSM1900		
Channel	128	189	251	512	661	810
Frequency (MHz)	824.2	836.4	848.8	1850.2	1880.0	1909.8
GPRS 8 (1 Uplink) – CS1	23.73	23.64	23.67	20.16	20.27	20.23
GPRS 10 (2 Uplink) – CS1	25.09	25.00	25.04	20.14	20.23	20.32
GPRS 11 (3 Uplink) – CS1	25.36	25.32	25.40	20.33	20.23	20.27
GPRS 12 (4 Uplink) – CS1	25.12	25.04	25.04	20.08	20.16	20.28
EDGE 8 (GMSK, 1 Uplink) – MCS1	23.70	23.60	23.64	20.05	20.17	20.23
EDGE 10 (GMSK, 2 Uplink) – MCS1	25.05	24.97	25.00	20.11	20.25	20.30
EDGE 11 (GMSK, 3 Uplink) – MCS1	25.39	25.29	25.28	20.15	20.25	20.29
EDGE 12 (GMSK, 4 Uplink) – MCS1	25.02	24.94	24.95	20.07	20.17	20.26
EDGE 8 (8PSK, 1 Uplink) – MCS9	17.72	17.65	17.69	18.06	18.03	18.05
EDGE 10 (8PSK, 2 Uplink) – MCS9	20.72	20.65	20.68	19.17	19.27	19.37
EDGE 11 (8PSK, 3 Uplink) – MCS9	21.67	21.60	21.73	19.94	20.04	20.12
EDGE 12 (8PSK, 4 Uplink) – MCS9	21.74	21.68	21.71	18.26	18.39	18.45

Remark: The source-based time-averaged power is linearly scaled the maximum burst averaged power based on time slots. The calculated method are shown as below:
Source based time averaged power = Maximum burst averaged power (1 Uplink) - 9 dB
Source based time averaged power = Maximum burst averaged power (2 Uplink) - 6 dB
Source based time averaged power = Maximum burst averaged power (3 Uplink) - 4.26 dB
Source based time averaged power = Maximum burst averaged power (4 Uplink) - 3 dB

Note:

1. For Body SAR testing, GPRS, EDGE should be evaluated, therefore the DUT was set in GPRS 11 for GSM850 and set in GPRS 11 for GSM1900 due to its highest source-based time-average power.
2. Per KDB 447498, the maximum output power channel is used for SAR testing and for further SAR test reduction.



<WCDMA>

Band	WCDMA Band V			WCDMA Band II		
	4132	4182	4233	9262	9400	9538
Channel	4132	4182	4233	9262	9400	9538
Frequency (MHz)	826.4	836.4	846.6	1852.4	1880.0	1907.6
RMC 12.2K	22.27	22.24	22.50	21.60	21.52	21.55
HSDPA Subtest-1	21.63	21.67	21.73	20.95	21.14	21.10
HSDPA Subtest-2	21.53	21.61	21.64	21.04	21.19	21.13
HSDPA Subtest-3	21.03	21.14	21.16	20.53	20.70	20.63
HSDPA Subtest-4	21.01	21.14	21.18	20.54	20.69	20.62
HSUPA Subtest-1	21.52	21.47	21.70	21.06	21.23	21.16
HSUPA Subtest-2	19.41	19.35	19.50	19.00	19.25	19.18
HSUPA Subtest-3	20.36	20.23	20.47	20.15	20.27	20.24
HSUPA Subtest-4	19.31	19.28	19.46	19.10	19.13	19.18
HSUPA Subtest-5	21.36	21.34	21.41	20.98	20.72	20.99
HSPA Subtest-1	20.50	20.40	20.60	19.92	20.15	20.13

		MPR					
3GPP Requirement		WCDMA band V			WCDMA band II		
		0	HSDPA Subtest-1	0.00	0.00	0.00	0.00
0	HSDPA Subtest-2	0.10	0.06	0.09	-0.09	-0.05	-0.03
0.5	HSDPA Subtest-3	0.60	0.53	0.57	0.42	0.44	0.47
0.5	HSDPA Subtest-4	0.62	0.53	0.55	0.41	0.45	0.48
0	HSUPA Subtest-1	-0.16	-0.13	-0.29	-0.08	-0.51	-0.17
2	HSUPA Subtest-2	1.95	1.99	1.91	1.98	1.47	1.81
1	HSUPA Subtest-3	1.00	1.11	0.94	0.83	0.45	0.75
2	HSUPA Subtest-4	2.05	2.06	1.95	1.88	1.59	1.81
0	HSUPA Subtest-5	0.00	0.00	0.00	0.00	0.00	0.00
2.5	HSPA Subtest-1	0.86	0.94	0.81	0.88	0.87	0.94



Band	WCDMA Band IV		
Channel	1312	1413	1513
Frequency (MHz)	1712.4	1732.6	1752.6
RMC 12.2K	22.35	22.40	22.38
HSDPA Subtest-1	21.11	21.55	21.47
HSDPA Subtest-2	21.21	21.52	21.47
HSDPA Subtest-3	20.72	21.04	20.97
HSDPA Subtest-4	20.71	21.05	20.98
HSUPA Subtest-1	21.47	21.96	21.68
HSUPA Subtest-2	19.47	20.02	19.82
HSUPA Subtest-3	20.53	21.02	20.86
HSUPA Subtest-4	19.53	20.01	19.80
HSUPA Subtest-5	20.94	21.43	21.33
HSPA Subtest-1	20.42	20.72	20.58

MPR				
3GPP Requirement		WCDMA band IV		
0	HSDPA Subtest-1	0.00	0.00	0.00
0	HSDPA Subtest-2	-0.10	0.03	0.00
0.5	HSDPA Subtest-3	0.39	0.51	0.50
0.5	HSDPA Subtest-4	0.40	0.50	0.49
0	HSUPA Subtest-1	-0.53	-0.53	-0.35
2	HSUPA Subtest-2	1.47	1.41	1.51
1	HSUPA Subtest-3	0.41	0.41	0.47
2	HSUPA Subtest-4	1.41	1.42	1.53
0	HSUPA Subtest-5	0.00	0.00	0.00
2.5	HSPA Subtest-1	0.52	0.71	0.88

Note:

1. For Body SAR, per KDB 941225 D01, RMC 12.2kbps setting is used to evaluate SAR. If HSDPA subset-1 and HSUPA subset-5 output power is < 1/4 dB higher than RMC, HSDPA and HSUPA and HSPA16QAM SAR evaluation can be excluded.
2. DUT is declared to follow the MPR of 3GPP Table 5.2B.1 specification, and the specification will set during the production. Since there is tolerance in measuring 3G output power, the difference between the measured value and the specification is treated as tolerance. According to KDB 941225 D02 v02, 1)b), the MPR implementation information is provided here.
3. The HSPA 16QAM test configuration follows 3GPP TS34.121(Please refer to Appendix F for the measurement procedure.)



<WLAN>

WLAN 2.4G 802.11b Average Power (dBm)						
Power vs Channel			Power vs Data Rate			
Channel	Frequency (MHz)	Data Rate (bps)	Channel	Data Rate (bps)		
		1M		2M	5.5M	11M
CH 01	2412	9.59	CH 01	9.49	9.50	9.43
CH 06	2437	9.47				
CH 11	2462	9.49				

WLAN 2.4G 802.11g Average Power (dBm)										
Power vs Channel			Power vs Data Rate							
Channel	Frequency (MHz)	Data Rate (bps)	Channel	Data Rate (bps)						
		6M		9M	12M	18M	24M	36M	48M	54M
CH 01	2412	9.44	CH 01	9.23	9.15	9.27	9.21	8.89	9.14	8.78
CH 06	2437	9.28								
CH 11	2462	9.29								

WLAN 2.4G 802.11n (BW 20MHz) Average Power (dBm)										
Power vs Channel			Power vs Data Rate							
Channel	Frequency (MHz)	Data Rate (bps)	Channel	Data Rate (bps)						
		MCS0		MCS1	MCS2	MCS3	MCS4	MCS5	MCS6	MCS7
CH 01	2412	9.49	CH 01	9.45	9.35	9.34	9.22	9.10	9.07	8.94
CH 06	2437	9.22								
CH 11	2462	9.24								

WLAN 2.4G 802.11n (BW 40MHz) Average Power (dBm)										
Power vs Channel			Power vs Data Rate							
Channel	Frequency (MHz)	Data Rate (bps)	Channel	Data Rate (bps)						
		MCS0		MCS1	MCS2	MCS3	MCS4	MCS5	MCS6	MCS7
CH 03	2422	9.61	CH 06	9.30	9.31	9.32	9.33	9.11	9.19	9.13
CH 06	2437	9.75								
CH 09	2452	9.23								

Note:

1. Per KDB 248227, choose the highest output power channel to test SAR and determine further SAR exclusion
2. Per KDB 248227, 11g and 11n output power is less than 1/4 dB higher than 11b mode, thus the SAR can be excluded.

**12.2 Test Records for Body SAR Test**

<2G>

Plot No.	Band	Mode	Test Position	Gap (cm)	Ch.	Freq. (MHz)	Output Power (dBm)	Power Drift	SAR _{1g} (W/kg)
1	GSM850	GPRS11	Horizontal Up (Laptop)	0.5	251	848.8	29.66	-0.145	0.906
2	GSM850	GPRS11	Horizontal Down (USB Cable)	0.5	251	848.8	29.66	-0.032	0.626
3	GSM850	GPRS11	Vertical Front (Laptop)	0.5	251	848.8	29.66	-0.121	0.34
4	GSM850	GPRS11	Vertical Back (USB Cable)	0.5	251	848.8	29.66	-0.044	0.402
5	GSM850	GPRS11	Tip Mode (USB Cable)	0.5	251	848.8	29.66	-0.074	0.102
28	GSM850	GPRS11	Horizontal Up (Laptop)	0.5	128	824.2	29.62	-0.038	0.861
29	GSM850	GPRS11	Horizontal Up (Laptop)	0.5	189	836.4	29.58	-0.156	0.85
6	GSM1900	GPRS11	Horizontal Up (Laptop)	0.5	512	1850.2	24.59	-0.101	1.18
7	GSM1900	GPRS11	Horizontal Down (USB Cable)	0.5	512	1850.2	24.59	-0.073	1.09
8	GSM1900	GPRS11	Vertical Front (Laptop)	0.5	512	1850.2	24.59	0.051	0.932
9	GSM1900	GPRS11	Vertical Back (USB Cable)	0.5	512	1850.2	24.59	-0.158	0.557
10	GSM1900	GPRS11	Tip Mode (USB Cable)	0.5	512	1850.2	24.59	-0.12	0.171
30	GSM1900	GPRS11	Horizontal Up (Laptop)	0.5	661	1880	24.49	-0.138	1.12
31	GSM1900	GPRS11	Horizontal Up (Laptop)	0.5	810	1909.8	24.53	-0.038	1.06
32	GSM1900	GPRS11	Horizontal Down (USB Cable)	0.5	661	1880	24.49	-0.023	1.12
33	GSM1900	GPRS11	Horizontal Down (USB Cable)	0.5	810	1909.8	24.53	-0.048	1.15
34	GSM1900	GPRS11	Vertical Front (Laptop)	0.5	661	1880	24.49	0.006	0.98
35	GSM1900	GPRS11	Vertical Front (Laptop)	0.5	810	1909.8	24.53	0.06	0.95

Note: Per KDB 447498, if the highest output channel SAR for each exposure position ≤ 0.8 W/kg other channels SAR tests are not necessary.



<3G>

Plot No.	Band	Mode	Test Position	Gap (cm)	Ch.	Freq. (MHz)	Output Power (dBm)	Power Drift	SAR _{1g} (W/kg)
11	WCDMA V	RMC 12.2K	Horizontal Up (Laptop)	0.5	4233	846.6	22.5	-0.148	0.555
12	WCDMA V	RMC 12.2K	Horizontal Down (USB Cable)	0.5	4233	846.6	22.5	-0.12	0.351
13	WCDMA V	RMC 12.2K	Vertical Front (Laptop)	0.5	4233	846.6	22.5	-0.133	0.194
14	WCDMA V	RMC 12.2K	Vertical Back (USB Cable)	0.5	4233	846.6	22.5	-0.182	0.242
15	WCDMA V	RMC 12.2K	Tip Mode (USB Cable)	0.5	4233	846.6	22.5	-0.12	0.054
21	WCDMA IV	RMC 12.2K	Horizontal Up (Laptop)	0.5	1413	1732.6	22.4	-0.159	1.28
22	WCDMA IV	RMC 12.2K	Horizontal Down (USB Cable)	0.5	1413	1732.6	22.4	-0.107	1.37
23	WCDMA IV	RMC 12.2K	Vertical Front (Laptop)	0.5	1413	1732.6	22.4	-0.104	0.86
24	WCDMA IV	RMC 12.2K	Vertical Back (USB Cable)	0.5	1413	1732.6	22.4	-0.193	0.397
25	WCDMA IV	RMC 12.2K	Tip Mode (USB Cable)	0.5	1413	1732.6	22.4	-0.173	0.294
36	WCDMA IV	RMC 12.2K	Horizontal Up (Laptop)	0.5	1312	1712.4	22.35	-0.036	1.34
37	WCDMA IV	RMC 12.2K	Horizontal Up (Laptop)	0.5	1513	1752.6	22.38	-0.107	1.27
38	WCDMA IV	RMC 12.2K	Horizontal Down (USB Cable)	0.5	1312	1712.4	22.35	0.133	1.47
39	WCDMA IV	RMC 12.2K	Horizontal Down (USB Cable)	0.5	1513	1752.6	22.38	-0.192	1.27
40	WCDMA IV	RMC 12.2K	Vertical Front (Laptop)	0.5	1312	1712.4	22.35	0.189	0.977
41	WCDMA IV	RMC 12.2K	Vertical Front (Laptop)	0.5	1513	1752.6	22.38	-0.11	0.931
46	WCDMA II	RMC12.2K	Horizontal Up (Laptop)	0.5	9400	1880	21.52	-0.077	1.31
47	WCDMA II	RMC12.2K	Horizontal Down (USB Cable)	0.5	9400	1880	21.52	-0.149	1.38
48	WCDMA II	RMC12.2K	Vertical Front (Laptop)	0.5	9400	1880	21.52	-0.042	0.879
49	WCDMA II	RMC12.2K	Vertical Back (USB Cable)	0.5	9400	1880	21.52	-0.105	0.502
50	WCDMA II	RMC12.2K	Tip Mode (USB Cable)	0.5	9400	1880	21.52	-0.154	0.392
51	WCDMA II	RMC12.2K	Horizontal Up (Laptop)	0.5	9262	1852.4	21.6	-0.07	1.32
52	WCDMA II	RMC12.2K	Horizontal Up (Laptop)	0.5	9538	1907.6	21.55	-0.069	1.14
53	WCDMA II	RMC12.2K	Horizontal Down (USB Cable)	0.5	9262	1852.4	21.6	0.037	1.44
54	WCDMA II	RMC12.2K	Horizontal Down (USB Cable)	0.5	9538	1907.6	21.55	-0.125	1.02
55	WCDMA II	RMC12.2K	Vertical Front (Laptop)	0.5	9262	1852.4	21.6	-0.026	0.942
56	WCDMA II	RMC12.2K	Vertical Front (Laptop)	0.5	9538	1907.6	21.55	-0.012	0.607

Note: Per KDB 447498, if the highest output channel SAR for each exposure position ≤ 0.8 W/kg other channels SAR tests are not necessary.

<WLAN>

Plot No.	Band	Mode	Test Position	Gap (cm)	Ch.	Freq. (MHz)	Output Power (dBm)	Power Drift	SAR _{1g} (W/kg)
58	WLAN2.4G	802.11b	Horizontal Up (Laptop)	0.5	1	846.6	9.59	0.17	0.013
59	WLAN2.4G	802.11b	Horizontal Down (USB Cable)	0.5	1	846.6	9.59	0.10	0.014
60	WLAN2.4G	802.11b	Vertical Front (Laptop)	0.5	1	846.6	9.59	n/a	n/a
61	WLAN2.4G	802.11b	Vertical Back (USB Cable)	0.5	1	846.6	9.59	0.15	0.021
62	WLAN2.4G	802.11b	Tip Mode (USB Cable)	0.5	1	846.6	9.59	0.14	0.0023

Note: Per KDB 447498, if the highest output channel SAR for each exposure position ≤ 0.8 W/kg other channels SAR tests are not necessary.

12.3 Simultaneous Transmission SAR Analysis

No.	Applicable Simultaneous Transmission Combination
1	2G+WLAN
2	3G+WLAN

<SAR Summation table>

Position	WWAN			WLAN		Max. SAR Summation	Scale WWAN				Scale WLAN			Scaled WWAN + Scaled WLAN	
	WWAN Band	Plot No	Max. WWAN SAR (W/kg)	Plot No	Max. WLAN SAR (W/kg)		Output Power (dBm)	Tune-up Limit (dBm)	Scaling Factor	Scaled WWAN (W/kg)	Output Power (dBm)	Tune-up Limit (dBm)	Scaling Factor		Scaled WLAN (W/kg)
Horizontal Up	GSM850	1	0.906	58	0.013	0.92	29.66	30	1.081	0.980	9.59	10	1.099	0.014	0.99
	GSM1900	6	1.18	58	0.013	1.19	24.59	25	1.099	1.297	9.59	10	1.099	0.014	1.31
	WCDMA V	11	0.555	58	0.013	0.57	22.5	22.6	1.023	0.568	9.59	10	1.099	0.014	0.60
	WCDMA IV	36	1.34	58	0.013	1.35	22.35	22.5	1.035	1.387	9.59	10	1.099	0.014	1.40
Horizontal Down	GSM850	2	0.626	59	0.014	0.64	29.66	30	1.081	0.677	9.59	10	1.099	0.015	0.69
	GSM1900	33	1.15	59	0.014	1.16	24.53	25	1.114	1.281	9.59	10	1.099	0.015	1.30
	WCDMA V	12	0.351	59	0.014	0.37	22.5	22.6	1.023	0.359	9.59	10	1.099	0.015	0.38
	WCDMA IV	38	1.47	59	0.014	1.48	22.35	22.5	1.035	1.522	9.59	10	1.099	0.015	1.54
Vertical Front	GSM850	3	0.34	60	0	0.34	29.66	30	1.081	0.368	-	-	-	0	0.37
	GSM1900	34	0.98	60	0	0.98	24.49	25	1.125	1.102	-	-	-	0	1.10
	WCDMA V	13	0.194	60	0	0.19	22.5	22.6	1.023	0.199	-	-	-	0	0.20
	WCDMA IV	40	0.977	60	0	0.98	22.35	22.5	1.035	1.011	-	-	-	0	1.01
Vertical Back	GSM850	55	0.942	60	0	0.94	21.6	22	1.096	1.033	-	-	-	0	1.03
	GSM850	4	0.402	61	0.021	0.42	29.66	30	1.081	0.435	9.59	10	1.099	0.023	0.46
	GSM1900	9	0.557	61	0.021	0.58	24.59	25	1.099	0.612	9.59	10	1.099	0.023	0.64
	WCDMA V	14	0.242	61	0.021	0.26	22.5	22.6	1.023	0.248	9.59	10	1.099	0.023	0.28
Tip Mode	WCDMA IV	24	0.397	61	0.021	0.42	22.4	22.5	1.023	0.406	9.59	10	1.099	0.023	0.43
	WCDMA II	49	0.502	61	0.021	0.52	21.52	22	1.117	0.561	9.59	10	1.099	0.023	0.58
	GSM850	5	0.102	62	0.0023	0.10	29.66	30	1.081	0.110	9.59	10	1.099	0.003	0.11
	GSM1900	10	0.171	62	0.0023	0.17	24.59	25	1.099	0.188	9.59	10	1.099	0.003	0.19
Tip Mode	WCDMA V	15	0.054	62	0.0023	0.06	22.5	22.6	1.023	0.055	9.59	10	1.099	0.003	0.06
	WCDMA IV	25	0.294	62	0.0023	0.30	22.4	22.5	1.023	0.301	9.59	10	1.099	0.003	0.30
Tip Mode	WCDMA II	50	0.392	62	0.0023	0.39	21.52	22	1.117	0.438	9.59	10	1.099	0.003	0.44

Note:

- GPRS/EDGE and WCDMA/HSPA share the same WWAN transmitting antenna, and will not transmit simultaneously.
- When stand-alone 1-g SAR is not required for a transmitter or antenna, its SAR is considered zero in the 1-g SAR summing process to determine simultaneous transmission SAR evaluation requirements.
- If 1g-SAR summation < 1.6W/kg, simultaneous SAR measurement is not necessary.
- The WWAN and WLAN scaling factor is calculated according to the difference between measured output power and maximum tolerance power on this device; the results shows this device meets the RF exposure limits.

Test Engineer : Nick Yu and Jack Wu and Niels Ouyang and Ken Li



13. References

- [1] FCC 47 CFR Part 2 "Frequency Allocations and Radio Treaty Matters; General Rules and Regulations"
- [2] ANSI/IEEE Std. C95.1-1992, "IEEE Standard for Safety Levels with Respect to Human Exposure to Radio Frequency Electromagnetic Fields, 3 kHz to 300 GHz", September 1992
- [3] IEEE Std. 1528-2003, "Recommended Practice for Determining the Peak Spatial-Average Specific Absorption Rate (SAR) in the Human Head from Wireless Communications Devices: Measurement Techniques", December 2003
- [4] FCC OET Bulletin 65 (Edition 97-01) Supplement C (Edition 01-01), "Evaluating Compliance with FCC Guidelines for Human Exposure to Radiofrequency Electromagnetic Fields", June 2001
- [5] SPEAG DASY System Handbook
- [6] FCC KDB 248227 D01 v01r02, "SAR Measurement Procedures for 802.11 a/b/g Transmitters", May 2007
- [7] FCC KDB 447498 D01 v04, "Mobile and Portable Device RF Exposure Procedures and Equipment Authorization Policies", November 2009
- [8] FCC KDB 447498 D02 v02, "SAR Measurement Procedures for USB Dongle Transmitters", November 2009
- [9] FCC KDB 941225 D01 v02, "SAR Measurement Procedures for 3G Devices – CDMA 2000 / Ev-Do / WCDMA / HSDPA / HSPA", October 2007
- [10] FCC KDB 941225 D03 v01, "Recommended SAR Test Reduction Procedures for GSM / GPRS / EDGE", December 2008
- [11] FCC KDB 941225 D04 v01, "Evaluating SAR for GSM/(E)GPRS Dual Transfer Mode", January 27 2010
- [12] FCC KDB 941225 D05 v01, "SAR Test Considerations for LTE Handsets and Data Modems", December 2010
- [13] FCC KDB 941225 D06 v01, "SAR Evaluation Procedures for Portable Devices with Wireless Router Capabilities", April 2011
- [14] FCC KDB 388624 D02, "Permit But Ask List", December 2011.



Appendix A. Plots of System Performance Check

The plots are shown as follows.



Appendix B. Plots of SAR Measurement

The plots are shown as follows.



Appendix C. DASYS Calibration Certificate

The DASYS calibration certificates are shown as follows.