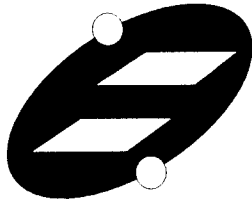


Alpha P/N : 505924090117G		申請者 : 顧崇輝	主管 : 張世宗
零組件品名 : ENG ANT 2.4G C037-510695-A			
零組件品名2 :			
原製造廠商 : (500770) 譚裕實業股份有限公司		原廠編號 : C037-510695-A	
在台代理商 : 譚裕			
聯絡人 : 李春華		電話 : 03-5714225 ex1517	
應用機種 :			
COMMENTS :			
<p>測試結果 :</p> <p>SGS 過期 9 個月PAGE 25 , 申請暫時料號</p> <p>檢驗重點:</p> <p>1.外觀</p> <p>2.尺寸</p> <p>3.型號</p>			
承辦人 : 周禎義		日期 : 2005/12/16	
結果	<input checked="" type="radio"/> 合格 <input type="radio"/> 否決 <input type="radio"/> 其他	審核	王椅楠 2005/12/16



WHA YU INDUSTRIAL CO., LTD. (HEAD OFFICE)
 TAI HWA ELECTRONIC CO., LTD.(CHINA)
 SHANGHAI HUA YU ELECTRONIC CO., LTD.(CHINA)
 AEON TECH CO., LTD. (CHINA)

SPECIFICATION FOR APPROVAL

CUSTOMER: 明泰科技股份有限公司

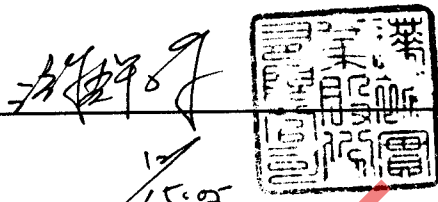
PART NAME: RF Antenna Assembly

PART NO.:

REVISION:

W. Y. P/NO.: C037-510695-A

REV.: X1

	MANUFACTURER SIGNATURE	CUSTOMER SIGNATURE
APPROVED BY :		
DATE :	15.05	

WHA YU GROUP

WHA YU INDUSTRIAL CO., LTD.(HEAD OFFICE)

譚裕實業股份有限公司

Address: No.326, Sec 2, Kung Tao 5 Road, Hsin Chu City, Taiwan, R.O.C.

Tel:+886-3-5714225(REP.)

Fax:+ 886-3-5713853 · + 886-3-5723600

TAI HWA ELECTRONIC CO., LTD. (CHINA)

台樺電業製品廠

Address: Pak Ho District, Hiu Street Town, Dong Guan City, Guangdong, China

Tel: + 86-769-5599375 · + 86-769-5912375

Fax: + 86-769-5599376

HUA HONG INTERNATIONAL LTD.

華弘國際有限公司

Rm.1103A,President Commercial Centre,608 Nathan Road,Mong Kok,Kowloon,Hong Kong

Tel: + 86-852-27712210

Fax: + 86-852-23843747

SHANGHAI HUA YU ELECTRONIC CO., LTD. (CHINA)

上海譚裕電子有限公司

Address:3586,Wai Qing Song Road, Qing Pu County, Shanghai China

Tel: + 86-21-59741348 · + 86-21-59744101~4

Fax: + 86-21-59741347

SU ZHOU AEON TECH CO., LTD. (CHINA)

蘇州華廣電通有限公司

Address:Limin North Road, LiLi Town,LiLi Industrial Park,LinHu Economic Zone

Wujiang City, Jiangsu Province, China

Tel: + 86-512-63627980

Fax: + 86-512-63627981

Contents

Item	Description	Page
1.	天線規格表 1
2.	成品圖 2
3.	測試報告 3~5
4.	Cable 規格 6~7
5.	Connector 材質特性 8

REFERENCE ONLY

RF Antenna Cable Assembly

Specification

1. Electrical Properties :

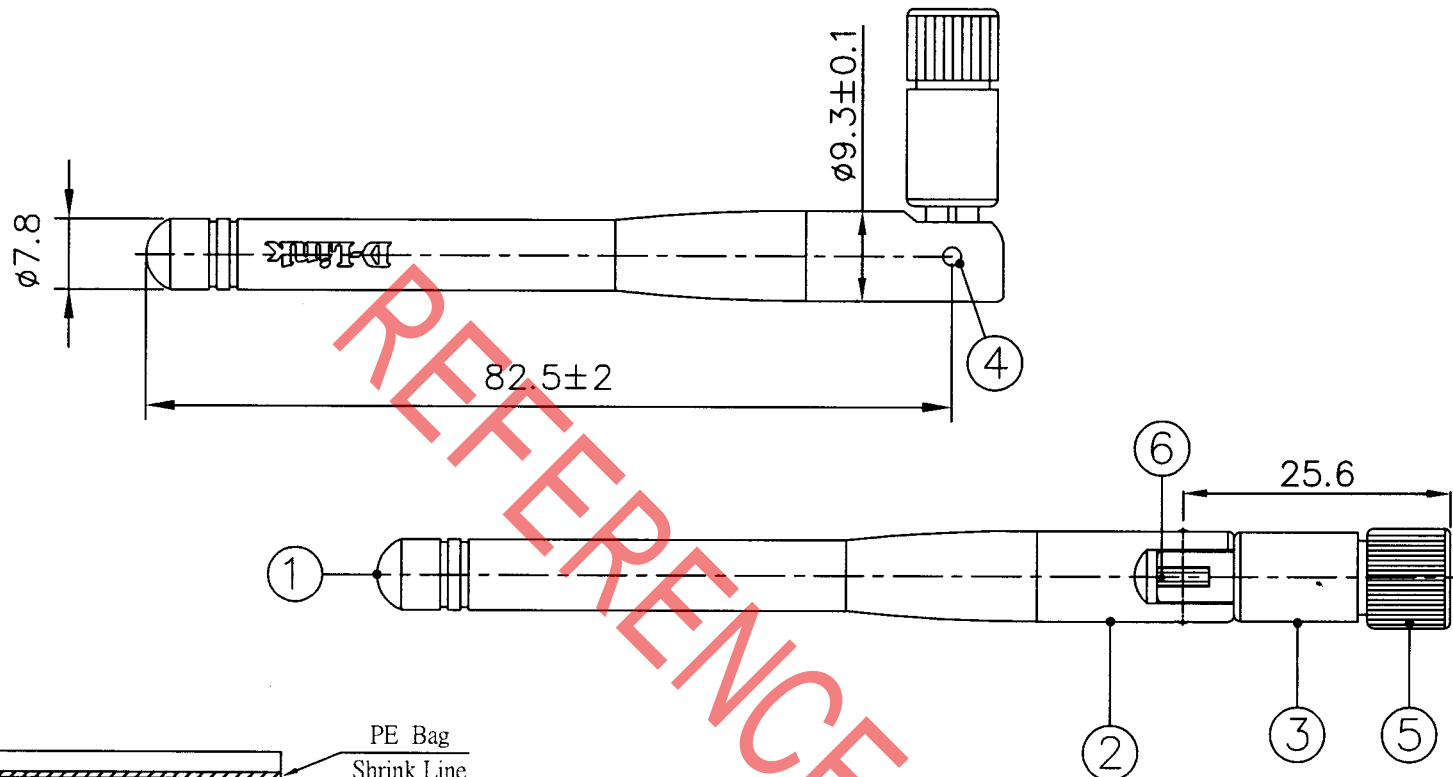
- 1.1 Frequency Range..... 2.4GHz ~ 2.5GHz
- 1.2 Impedance 50Ω Nominal
- 1.3 VSWR 1.92 Max.
- 1.4 Return Loss..... -10 dB Maximum
- 1.5 Radiation Omni-directional
- 1.6 Gain(peak)..... 1.8dBi
- 1.7 Polarization..... Linear Vertical
- 1.8 Admitted Power..... 1W

2. Physical Properties :

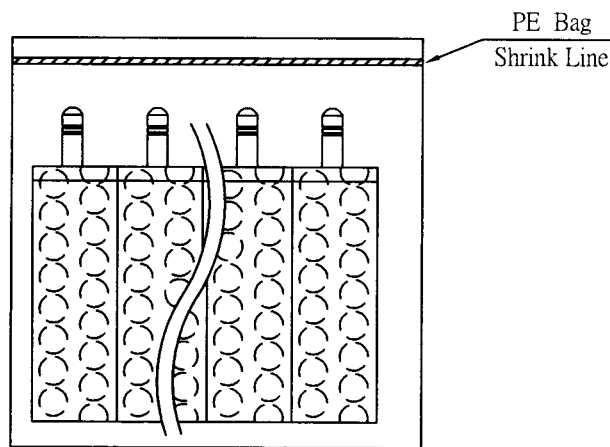
- 2.1 Cable..... RG-178 Coaxial Cable
- 2.2 Antenna Cover..... TPU
- 2.3 Antenna Base..... PC
- 2.4 Antenna Base..... PBT
- 2.5 Operating Temp. -20 ~ +65
- 2.6 Storage Temp. -30 ~ +75
- 2.7 Color Black
- 2.8 Connector..... SMA Plug Reverse

CG-

REV	DATE	DESCRIPTION
X1	12/15-2005	New Issue



REFERENCE ONLY



Packing : 20 pcs/bag

6	Cable	RG-178 , Translucent Brown ; 50 Ω	1	
5	Connector	SMA Straight Plug/Reverse	1	
4	Rivet	Brass , Zn Plated (Black)	2	
3	Antenna Base	PBT ; Color:Black	1	
2	Antenna Base	PC ; Color:Black	1	
1	Antenna Cover	TPU ; Color:Black	1	
NO	DESCRIPTION		QTY	REMARK

XX.	±5	APPROVED
X.	±1.0	<i>林芸卉</i>
.X	±0.1	CHECKED
.XX	±0.01	<i>林芸卉</i>
.XXX	±0.005	DRAWING
		<i>程淑娟</i>

CUSTOMER: 明泰科技股份有限公司		
PART NO :		
PARTNAME: RF Antenna Assembly		
W.Y P/NO : C037-510695-A		
REV	UNIT	FILE :
X1	m/m	SHEET : 1/1

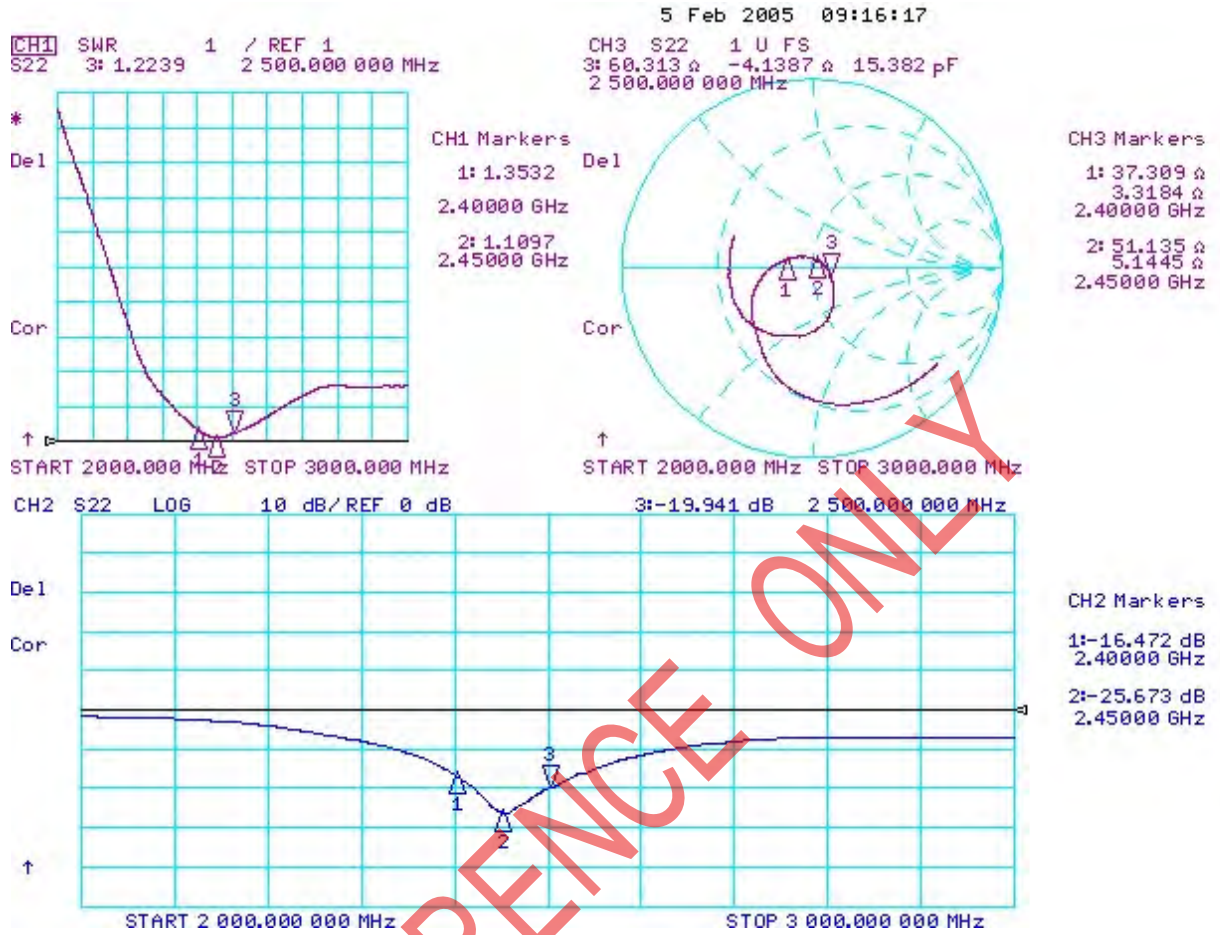
CUSTOMER'S SINGATURE


Wha Yu
INDUSTRIAL CO.,LTD.
誨裕實業股份有限公司

THIS DRAWING, AND IT'S INHERANT DESIGN CONCEPTS, ARE THE PROPERTY OF WHA YU AND AS SUCH MAY NOT BE COPIED, REPRODUCED, OR GIVEN TO THIRD PARTIES WITHOUT THE WRITTEN CONSENT OF WHA YU.

- 5/13 -
7-5059240901176(R13723) A

RF Antenna Assembly
P/NO :C037-510695-A SPEC : 2.4GHz



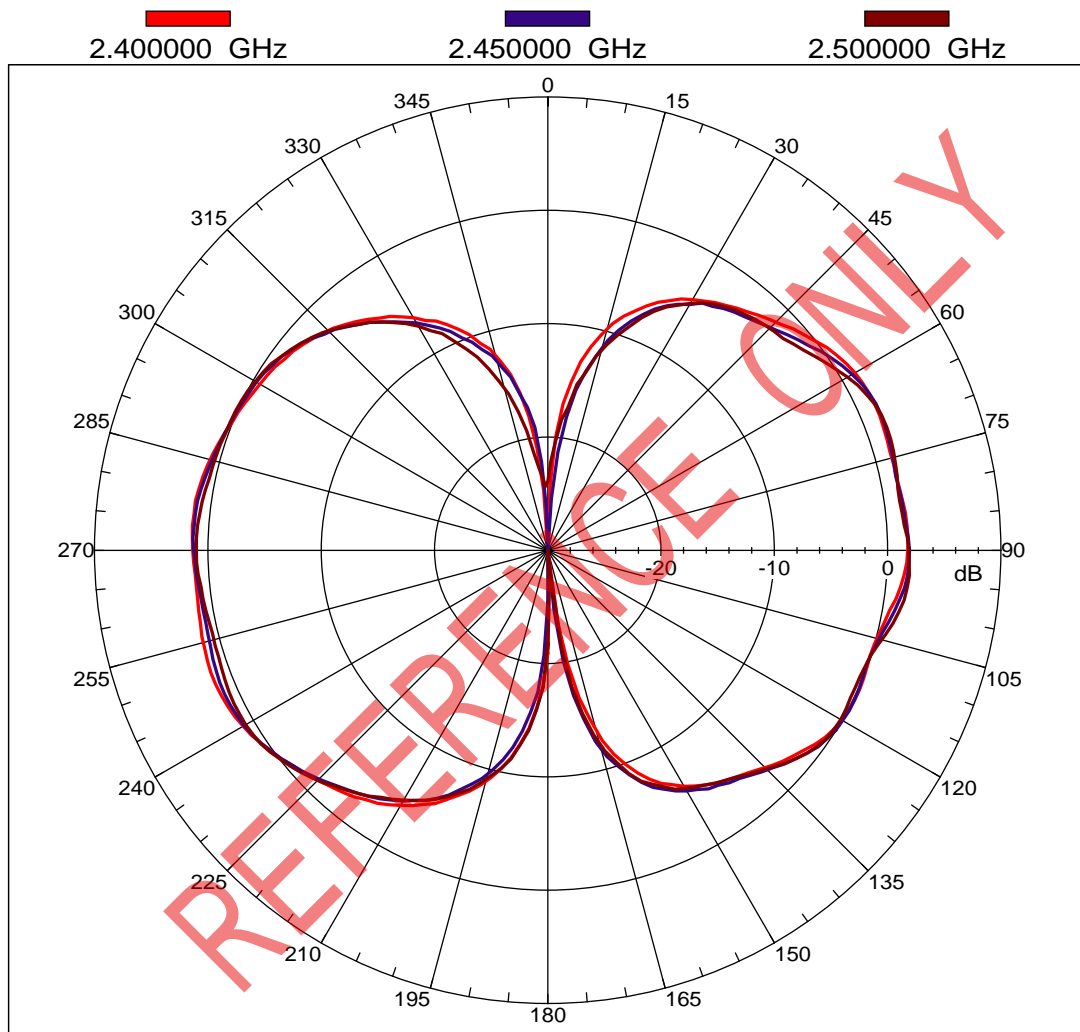
12/15/2005



譚裕實業股份有限公司

WHA YU INDUSTRIAL CO., LTD

Far-field amplitude of C037-510695-A-H.nsi

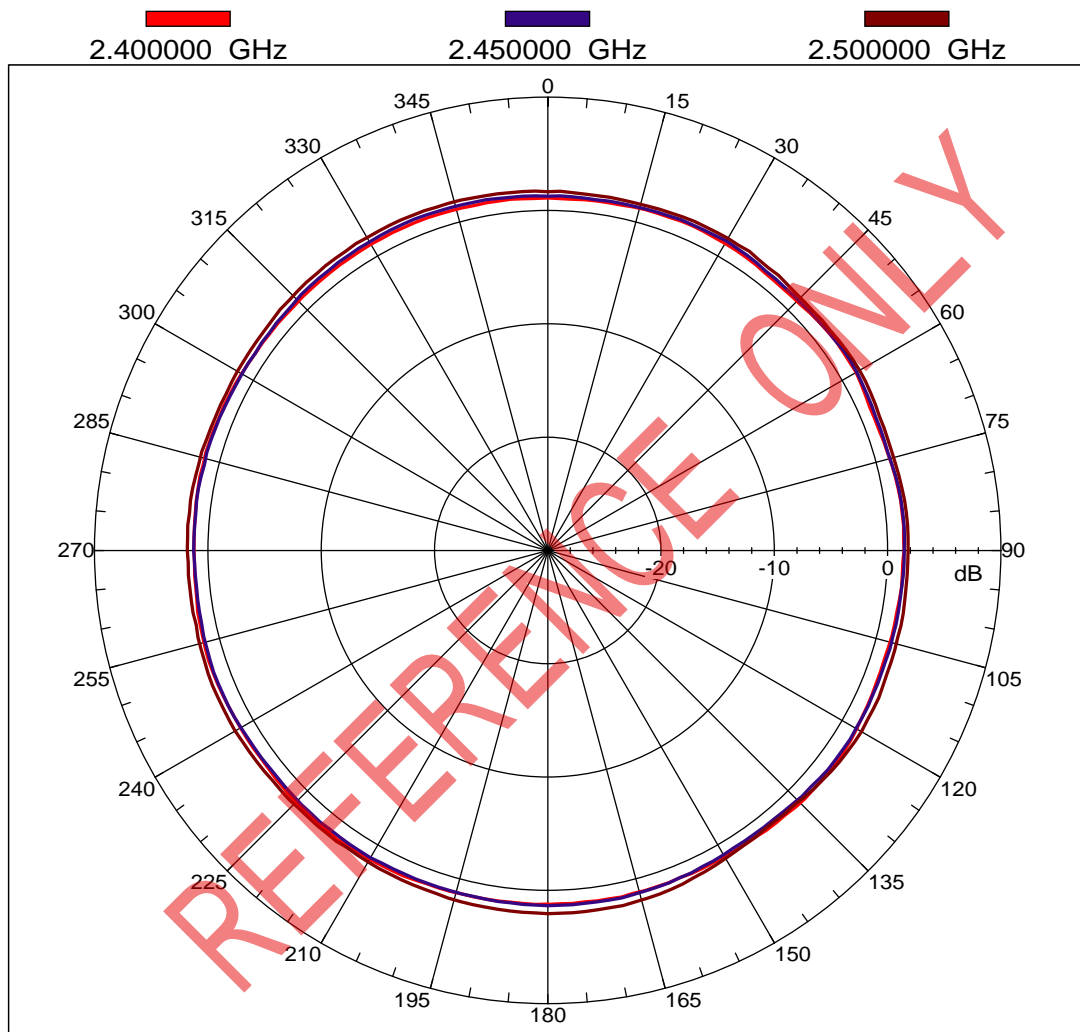




譚裕實業股份有限公司

WHA YU INDUSTRIAL CO., LTD

Far-field amplitude of C037-510695-A-V.nsi

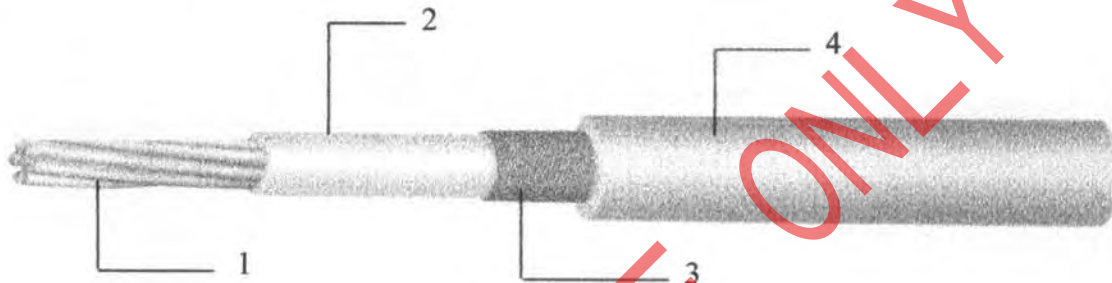


RG 178 B/U	FEP INSULATED HIGH-FREQUENCY COAXIAL CABLE	PAGE	1 / 2
PRODUCT STANDARD		ISSUED	21. Oct. 2003
		REVISED	

I - Scope

This specification presents a FEP insulated high-frequency coaxial cable AWG 30, 1.8 mm O.D. for internal wiring of electronic equipment, such as Computer / Notebook with wireless communication systems.

II - Construction



Item		Unit	Details
1. Inner Conductor	Material	—	CP-AG
	Composition	No./mm	AWG 30 or 7 × 0.1
	Dia. (approx.)	mm	0.305
2. Dielectric	Material	—	Extruded FEP
	Nom. O.D.	mm	0.84 ± 0.05
	Color	—	Natural
3. Outer Conductor	Material	—	Silver coated copper
	Composition	—	Braided (16 / 3 / 0.1)
	Dia. (approx)	mm	1.29 ± 0.07
4. Jacket	Material	—	Extruded FEP
	Dia.	mm	1.80 ± 0.08
	Color	—	Standard color is Light Orange

Note :		MADE BY	<i>Shen Bin Chao</i>
		APPROVALS	<i>Shen Bin Chao</i>

RG 178 B/U	FEP INSULATED HIGH-FREQUENCY COAXIAL CABLE	PAGE	2 / 2
PRODUCT STANDARD		ISSUED	21. Oct. 2003
		REVISED	

III – Characteristics

Item	Unit	Specified Value	Note
Temperature Rating	°C	-55 ~ +200	
Voltage Lasting	V	1000	
Dielectric strength	—	Dielectric core: No breakdown at AC 3 kv for 0.2 sec.	Spark test
		Jacket: No breakdown at AC 3 kv for 0.2 sec.	Spark test
Characteristic Impedance	Ω	50 ± 2	TDR method
Capacitance	pF / ft	29.4	
Attenuation. (Max.)	dB/100ft	16.0	100.0 MHz
		33.0	400.0 MHz
		52.0	1.0 GHz
		94.0	3.0 GHz
Approx. Weight	g / m	7.68	

Note :



MADE BY

Prebe Lin

APPROVALS

Shen Bin Chao



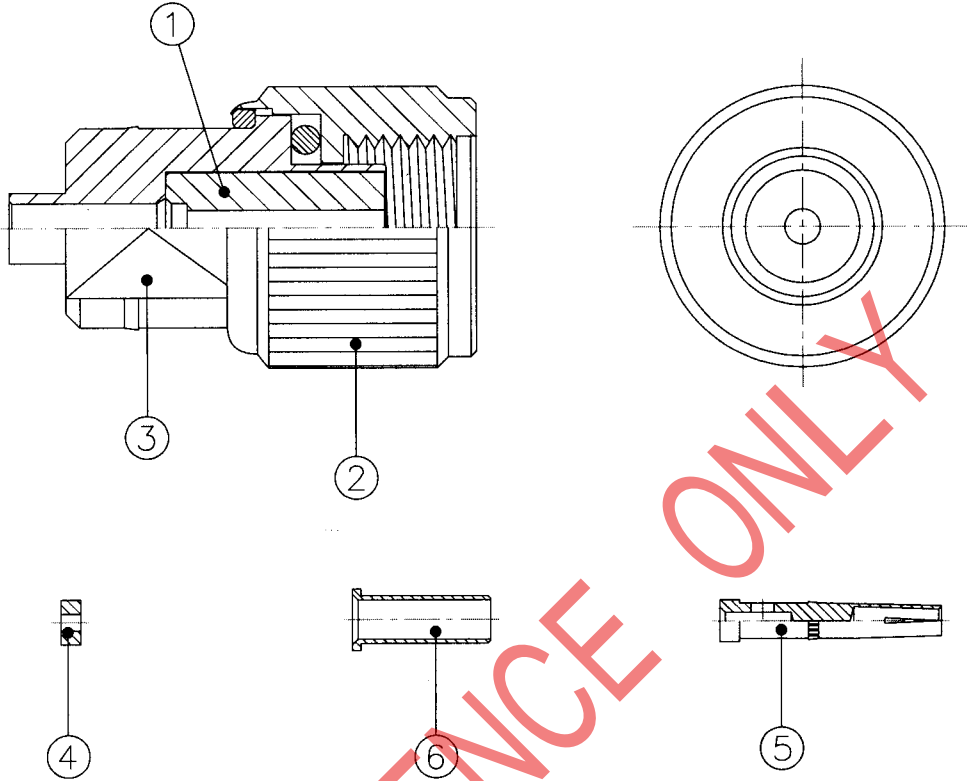
華裕實業股份有限公司

WHA YU INDUSTRIAL CO., LTD

Connector 材質證明書

華裕料號 Whyu P/N	100-2001150-AZ	產品名稱 Product Name	SMA Plug Reverse Straight For RG-178
------------------	----------------	----------------------	--------------------------------------

結構圖面



材質成份

表面處理

		材質成份							表面處理	
1	絕緣體	Teflon	PTFE							N/A
2	外殼	Brass	Cu	Pb	Fe	Fe+Sn	Zn		電著	
3	本體	Brass	Cu	Pb	Fe	Fe+Sn	Zn		鍍鎳	
4	絕緣體	Teflon	PTFE							N/A
5	中心針	Phos. Bronze	Cu	Sn	P	Zn	Pb		鍍金	
6	尾管	Brass	Cu	Pb	Fe	Fe+Sn	Zn		鍍鎳	

Remark :



POWER B.O.M LIST FOR ROHS TEST REPORTS

物質成份調查表

ITEM	品名(Description)	廠商名稱	符合RoHS原廠型號	NO.	分離之均勻材質	零件單重(mg)	分離之均勻材質單重(mg)	物質宣告書	ICP測定數據mg/kg-ppm						MTBF (h)	耐溫條件(溫度/時間)	分析報告號碼(實驗室名稱)	第三公證單位化學分析測試報告			
									鉛(Pb)	鎘(Cd)	汞(Hg)	六價鉻(Cr+6)	PBB	PBDE							
1	RF Cable Assembly	C037-510695-A		1-1	Cable	10000	360.														
				1-2	Antenna Body		2,800.	ND	ND	ND	ND	ND	ND	ND	ND	ND	ND	CE/2005/84353(SGS)			
				1-3	Antenna Base		700.	ND	ND	ND	ND	ND	ND	ND	ND	ND	ND	CE/2005/B4713(SGS)			
				1-4	Antenna Base		800.	ND	ND	ND	ND	ND	ND	ND	ND	ND	ND	CE/2005/71420(SGS)			
				1-5	Rivet		100.	24,600.	22.	ND	ND	ND	ND	ND	ND	ND	ND	GZSCR05060707862/LP(SGS)			
				1-6	Connector		4,820.	8.	ND	ND	ND	ND	ND	ND	ND	ND	ND	ND	SZTYR050102512/LP(SGS)		
								ND	ND	ND	ND	ND	ND	ND	ND	ND	ND	ND	SZTYR050305623/LP(SGS)		
								ND	ND	ND	ND	ND	ND	ND	ND	ND	ND	ND	ND	SZTYR050415200/LP(SGS)	
								ND	ND	ND	ND	ND	ND	ND	ND	ND	ND	ND	ND	GZSCR041250485/LP(SGS)	
								24,600.	22.	ND	ND	ND	ND	ND	ND	ND	ND	ND	ND	SZTYR050102512/LP(SGS)	
				1-7	Ground Tube		1,330.	ND	ND	ND	ND	ND	ND	ND	ND	ND	ND	SZTYR050410518/LP(SGS)			
											31,977.7	60.8	ND	ND	ND	ND	ND	ND	CE/2005/96122(SGS)		
											34,463.3	42.	ND	ND	ND	ND	ND	ND	CE/2005/96120(SGS)		
								ND	ND	ND	ND	ND	ND	CE/2005/96111(SGS)							

REFERENCE ONLY

Item	ALPHA P/N	原廠型號	品名(Description)	VENDOR CODE	原廠商	代理商	NO.	分離之內件材質 (Homogeneous Material) Sub-parts	分離之內件材質重量	零件重量 (mg)	物質宣告書 (Material Declaration)	ICP測試數據 mg/kg-ppm						分析報告號碼及(實驗室名稱)	第三公證單位化學分析報告 Attached test report
												鉛(Pb)	鎘(Cd)	汞(Hg)	六價鉻 (Cr+6)	PBB	PBDE		
1		C037-510695-A	RF Antenna Assembly		WHAY		1-1	Cable	360.	10,000		ND	ND	ND	ND	ND	ND	CE/2005/84353	
							1-2	Antenna Body	2,800.		ND	ND	ND	ND	ND	ND	CE/2005/84713		
							1-3	Antenna Base	700.		ND	ND	ND	ND	ND	ND	CE/2005/71420		
							1-4	Antenna Base	800.		ND	ND	ND	ND	ND	ND	GZ/SCR05060707862/LP		
							1-5	Rivet	100.		34,600.	22	ND	ND	ND	ND	SZTYR050102512/LP		
											8	ND	ND	ND	ND	ND	SZTYR050305623/LP		
											ND	ND	ND	ND	ND	ND	SE51773/CHEM		
											ND	ND	ND	ND	ND	ND	SZTYR05041520/LP		
							1-6	Connector	4,820.		ND	ND	ND	ND	ND	ND	GZ/SCR041250485/LP		
											24,600.	22	ND	ND	ND	ND	SZTYR050102512/LP		
			ND	ND	ND	ND	ND	ND	SZTYR050410518/LP										
			31,977.7	60.8	ND	ND	ND	ND	CE/2005/96122										
1-7	Ground Tube	1,330.	34,463.3	42	ND	ND	ND	ND	CE/2005/96120										
			ND	ND	ND	ND	ND	ND	CE/2005/96111										

REFERENCE ONLY