

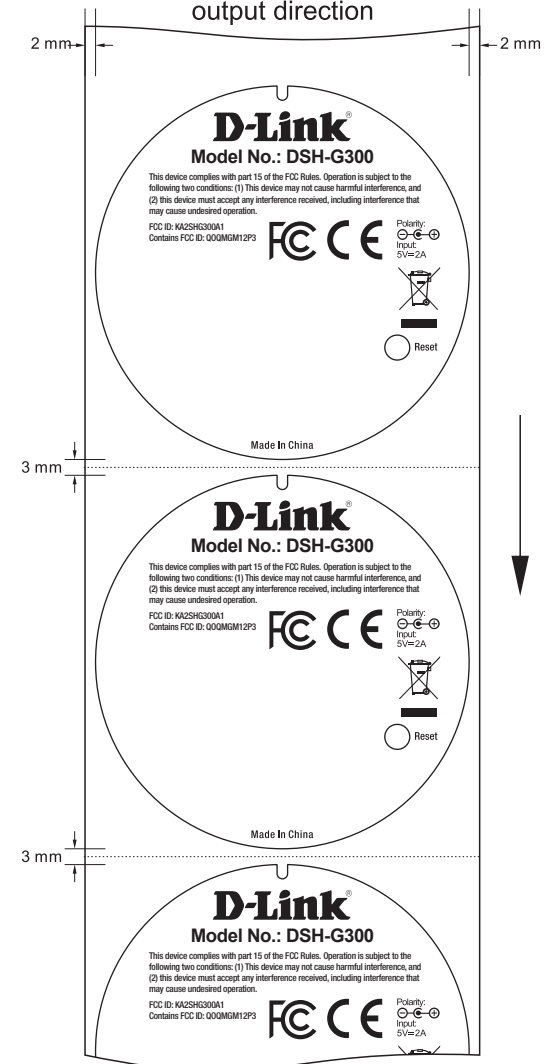
外印印刷稿
for printing



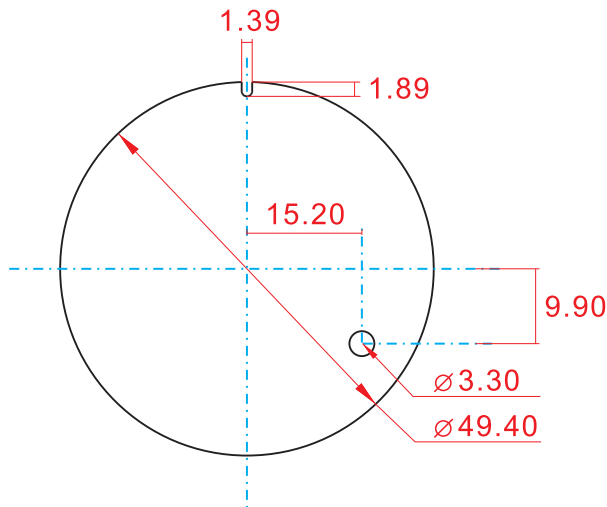
廠內碳打參考
for reference in house



正向出紙
output direction



尺寸圖
Label dimension



ALPHA		Title: DSH-G300 Device Label			(DG廠)
Drawn by: Ario Hsieh	Date: 2017/07/14	Material: 50#白亮特多龍(PET) Glossy White Polyester Film	Part No.: 9700000856DLG	Rev.:	Task ID: ART-HQ1707000008
Checked by: Joyce Chiou	Date: 2017/07/14	Coated: 25#霧面特多龍(PET) Matte Clear Polyester Film	Unit: mm	Cutting and Printing Tolerance: ±0.15mm Contents Tolerance: ±0.25mm	
Approved by: Joyce Chiou	Date: 2017/07/14	Adhesive: 壓克力膠 Acrylic	Scale: 1:1	<input checked="" type="checkbox"/> Modified drawing <input type="checkbox"/> Original drawing	

Color:





label location