

Antenna Type / Gain: Dipole Antenna

Chain 0:

5150~5250: Gain: 5.30 dBi

5250~5350: Gain: 5.30 dBi

5470~5725: Gain: 5.30 dBi

5725~5850: Gain: 4.80 dBi

Chain 1:

5150~5250: Gain: 4.90 dBi

5250~5350: Gain: 4.90 dBi

5470~5725: Gain: 4.90 dBi

5725~5850: Gain: 4.30 dBi

Power Directional Gain:

5150~5250: Gain: 8.11 dBi

5250~5350: Gain: 8.11 dBi

5470~5725: Gain: 8.11 dBi

5725~5850: Gain: 7.56dBi

Brand /Model : Chain 0: LYNWARE / AOX21X-091050-00  
Chain 1: LYNWARE / AOX21X-091051-00

# 實照



F

E

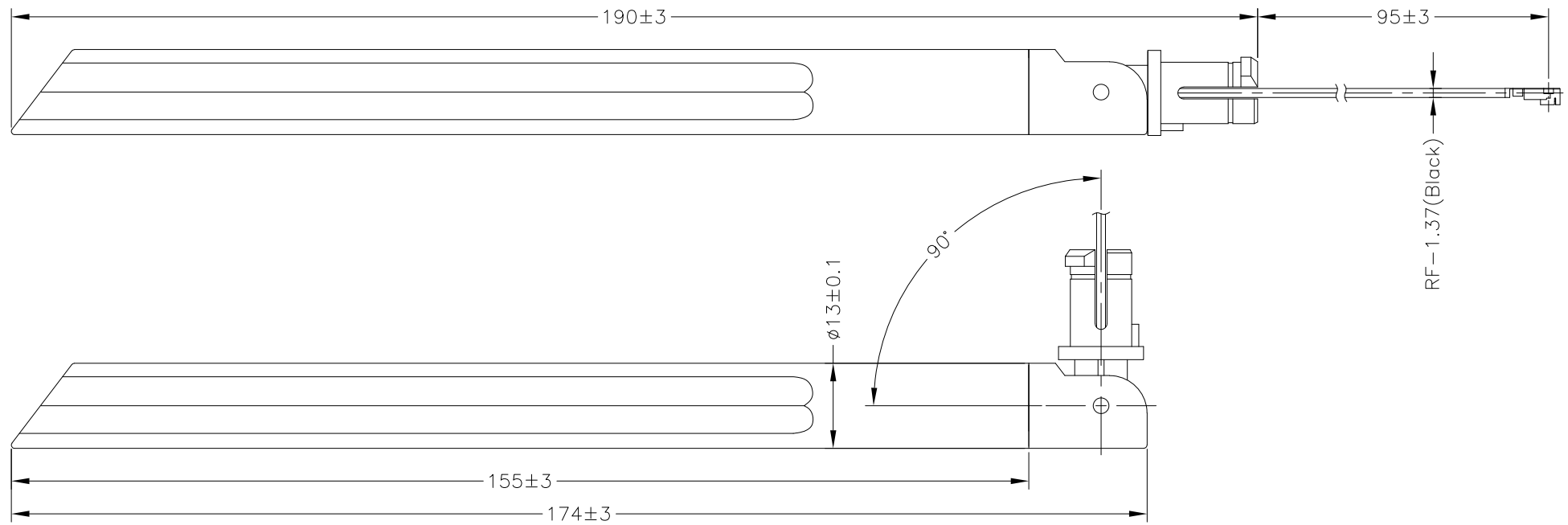
D

C

B

A

Rev	Zone	Description	ENG	Approved	Date



- 備註:  
 1.MHF compatible有方向性,請依照圖面方向生產.  
 2.外觀顏色:白色

TOLERANCE		CUSTOMER	PART NO.	DESCRIPTION:	DWG NO.	REV.
XXX.	±1.0	----	----	Antenna	ADX21X-091050-00	A0
XX.	±0.5	PROJECTION	UNIT	SCALE	SIZE	SHEET
X.	±0.3		mm	1:1	A4	1/1
.X	±0.1	APPROVED:	DESIGNED:	DRAWN:	Anna	
No.	Description	Specification	Qty	.XX	±0.05	-----



F

E

D

C

B

A

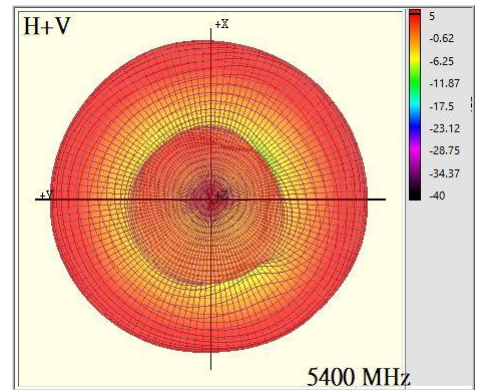
**Features**

- Single band IEEE 802.11 a/n/ac/ax standard
- Case mounting or on board mount
- High efficiency
- Quick integration

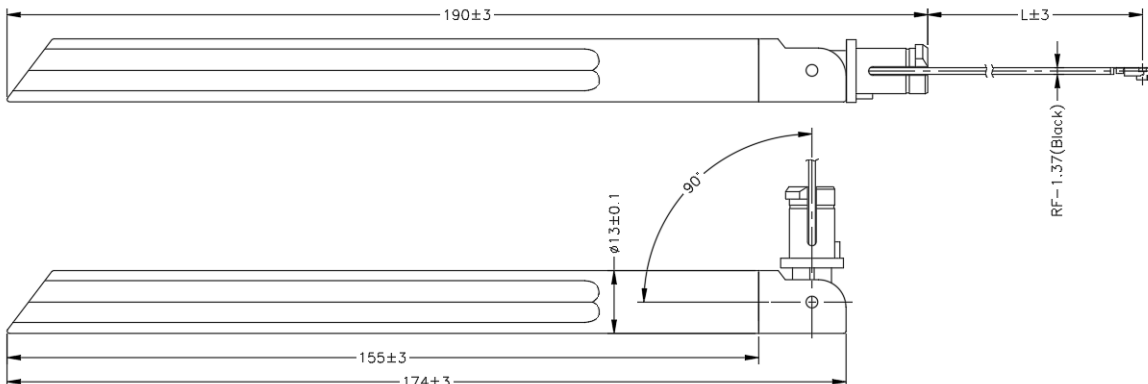


**Specification**

Frequency (MHz)	4900 ~ 5825
Peak Gain (dBi)	5.4
VSWR	2.0:1
Power (Watts)	1
Impedance (Ohms)	50
Dimension (mm)	Ø13 x 190
Color	White
Connector	MHF compatible
Cable length (mm)	95
Operating Temp (°C)	-40°C ~ +85°C



**Mechanical Dimensions**



# 實照



F

E

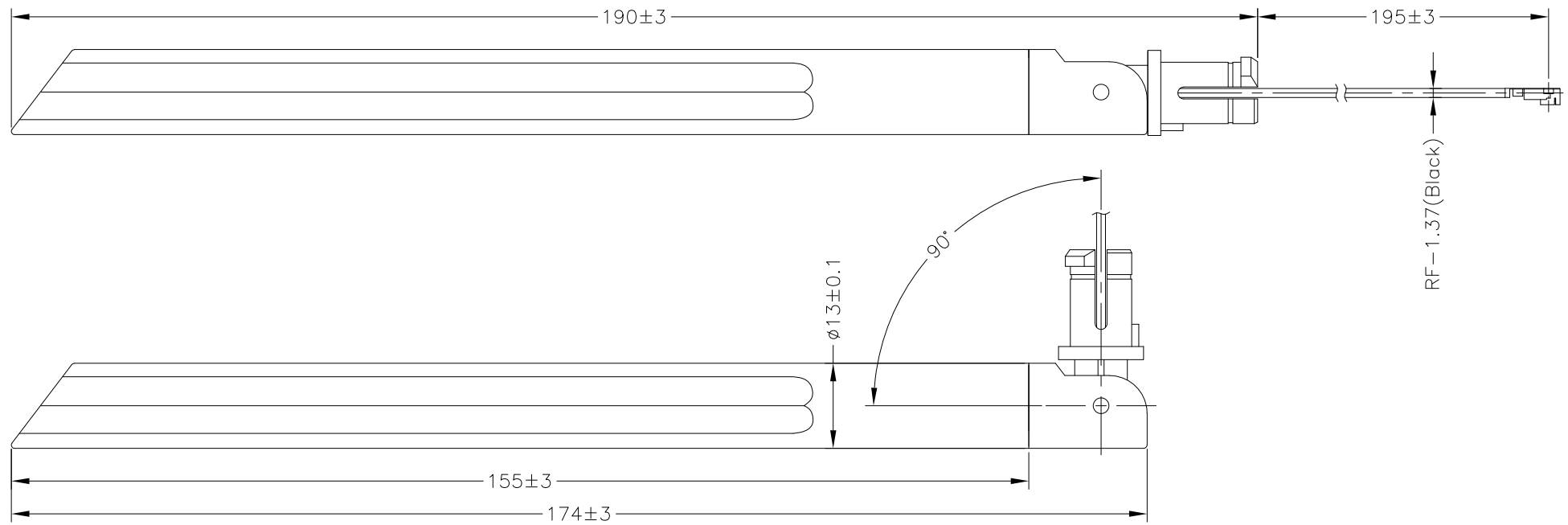
D

C

B

A

Rev	Zone	Description	ENG	Approved	Date



- 備註:
- MHF compatible有方向性, 請依照圖面方向生產.
  - 外觀顏色: 白色

TOLERANCE	CUSTOMER	PART NO.	DESCRIPTION:		DWG NO.	REV.
			XXX.	±1.0		
XX.	±0.5	PROJECTION	UNIT	SCALE	SIZE	SHEET
X.	±0.3		mm	1:1	A4	1/1
.X	±0.1	APPROVED:	DESIGNED:	DRAWN:		
.XX	±0.05	-----	-----	Anna		



No.	Description	Specification	Qty

F

E

D

C

B

A

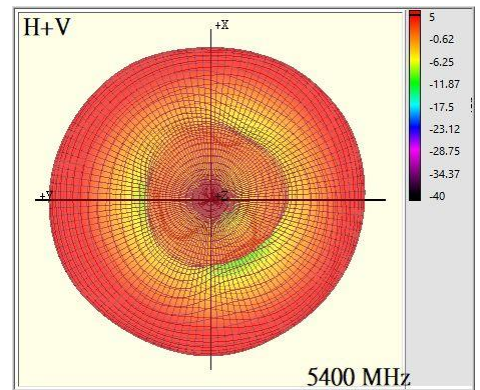
**Features**

- Single band IEEE 802.11 a/n/ac/ax standard
- Case mounting or on board mount
- High efficiency
- Quick integration



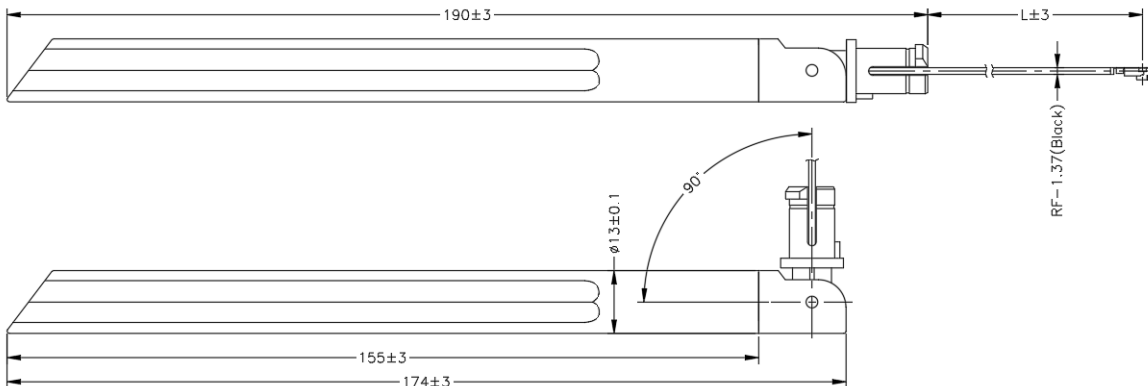
**Specification**

Frequency (MHz)	4900 ~ 5825
Peak Gain (dBi)	5
VSWR	2.0:1
Power (Watts)	1
Impedance (Ohms)	50
Dimension (mm)	Ø13 x 190
Color	White
Connector	MHF compatible
Cable length (mm)	195
Operating Temp (°C)	-40°C ~ +85°C



5GHz

**Mechanical Dimensions**



# Return Loss

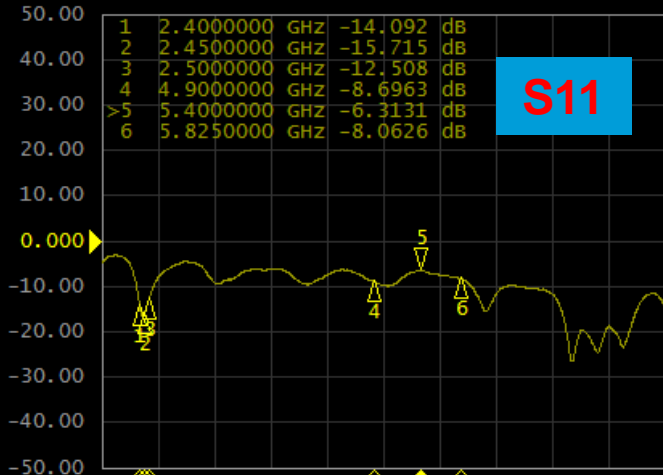
LYNwave

E5071C Network Analyzer

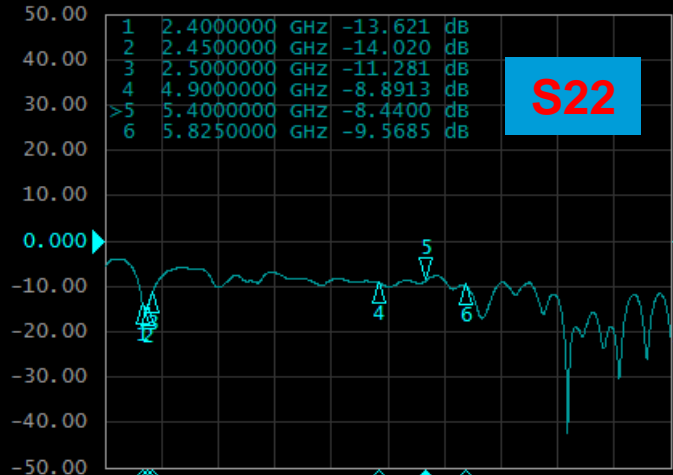
1 Active Ch/Trace 2 Response 3 Stimulus 4 Mkr/Analysis 5 Instr State

Resize

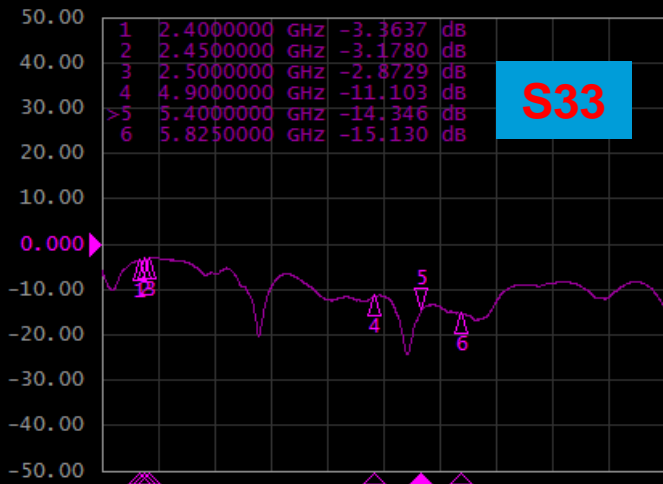
Tr1 S11 Log Mag 10.00dB/ Ref 0.000dB [F2 M]



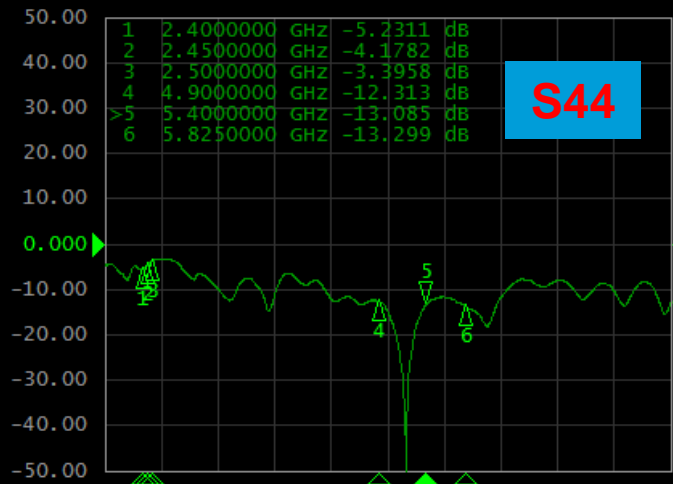
Tr2 S11 Log Mag 10.00dB/ Ref 0.000dB [F2 M]



Tr3 S11 Log Mag 10.00dB/ Ref 0.000dB [F2 M]



Tr4 S11 Log Mag 10.00dB/ Ref 0.000dB [F2 M]



System

Print

Invert Image  
ON

Dump  
Screen Image...

Multiport Test Set  
Setup

Misc Setup

Backlight  
ON

Firmware  
Revision

Service Menu

Help

Return

1 Start 2 GHz

IFBW 70 kHz

Stop 8 GHz Cor



# Isolation

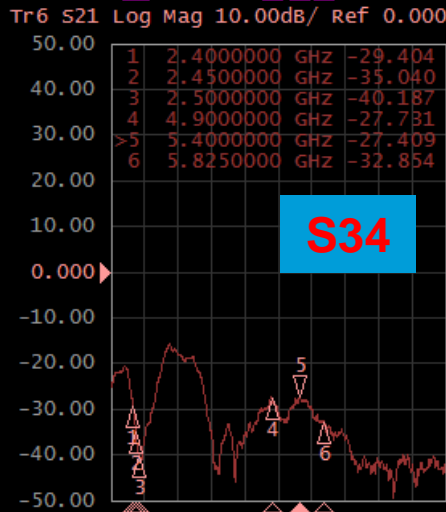
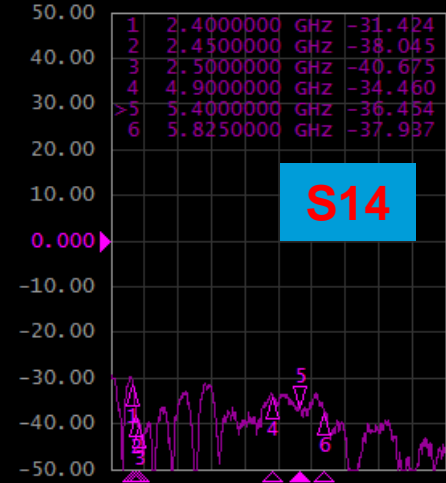
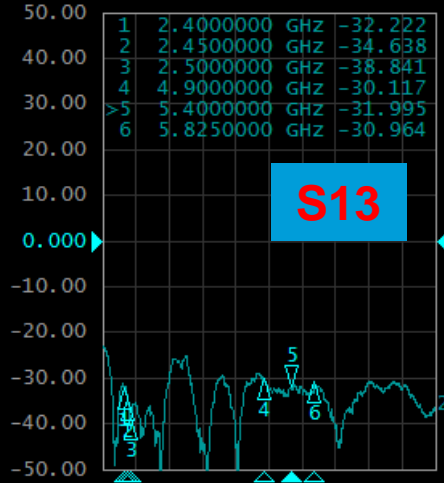
LYNwave

E5071C Network Analyzer

1 Active Ch/Trace 2 Response 3 Stimulus 4 Mkr/Analysis 5 Instr State

Resize

▶ Tr1 S21 Log Mag 10.00dB/ Ref 0.000d Tr2 S21 Log Mag 10.00dB/ Ref 0.000d Tr3 S21 Log Mag 10.00dB/ Ref 0.000d



1 Start 2 GHz

IFBW 70 kHz

Stop 8 GHz Cor

System

Print

Invert Image  
ON

Dump  
Screen Image...

Multiport Test Set  
Setup

Misc Setup

Backlight  
ON

Firmware  
Revision

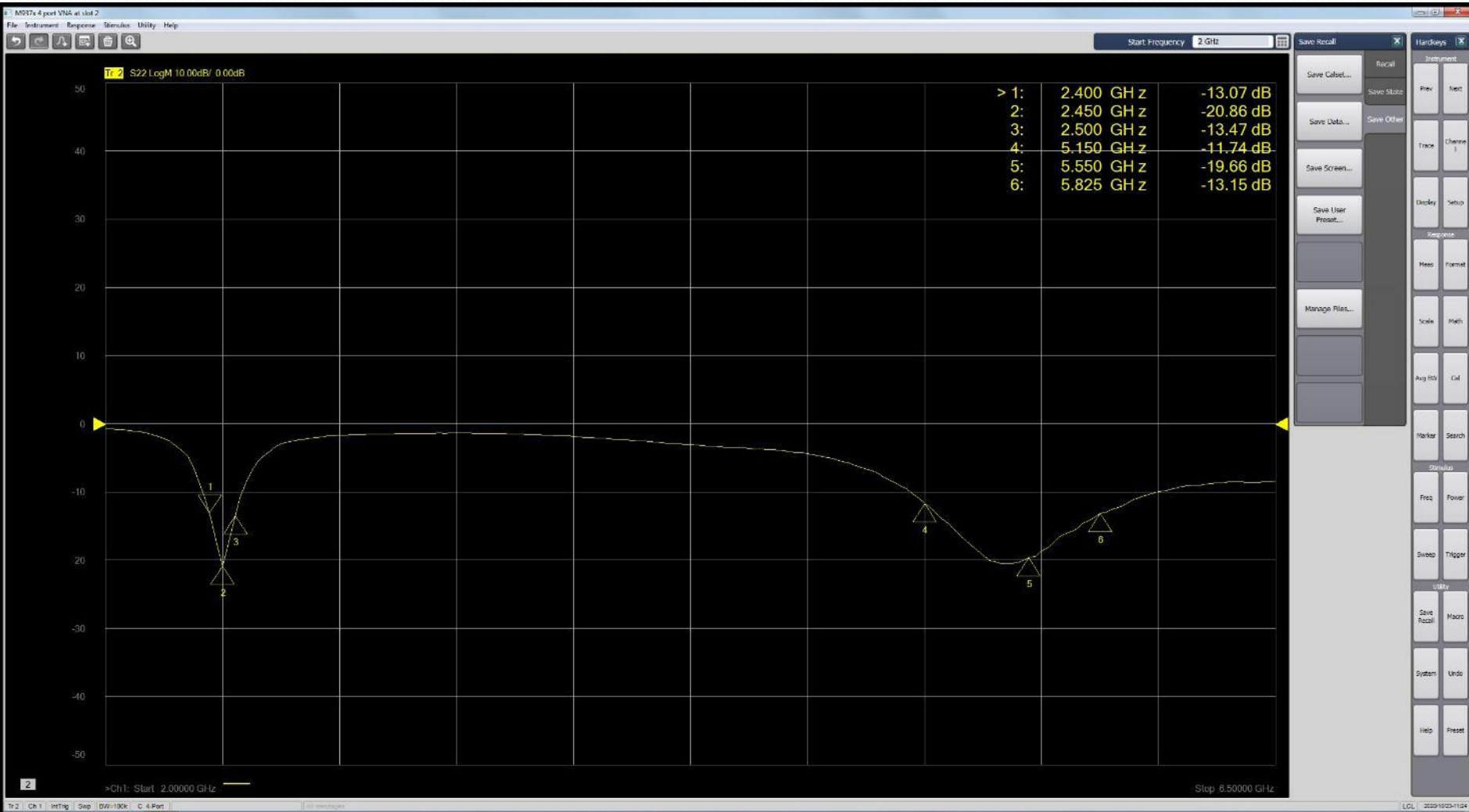
Service Menu

Help

Return

# DFS S-parameter

LYNwave

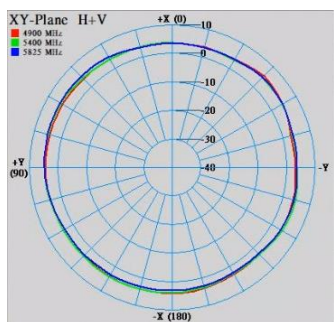


# Ant.3\_5GHz 2D.3D Radiation Pattern

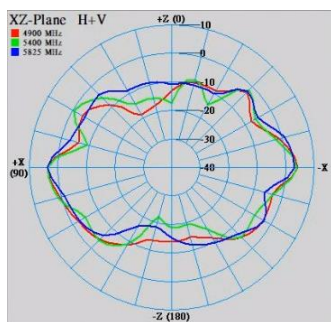
Frequency(MHz) : 2D. 5150~5825  
3D. 5550

Radiation Pattern :

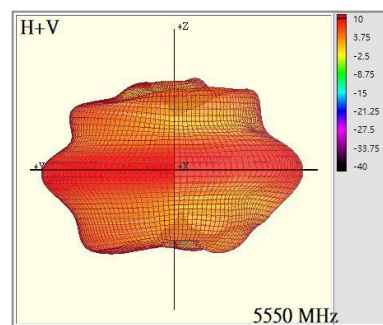
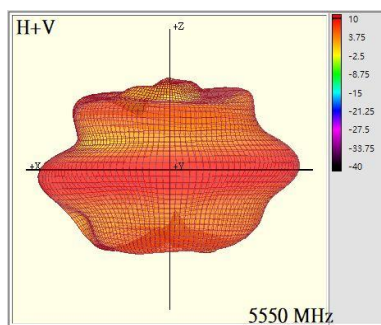
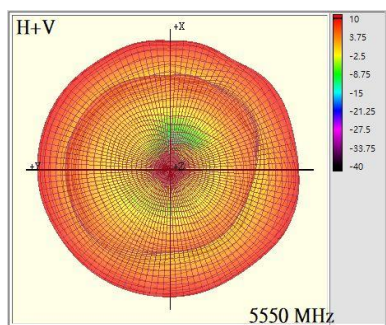
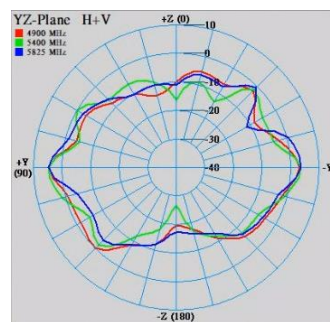
Azimuth Plane



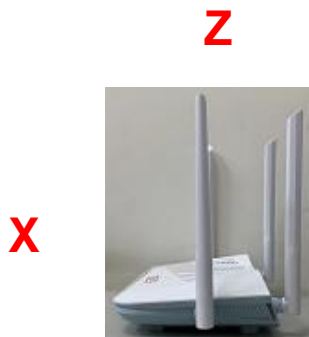
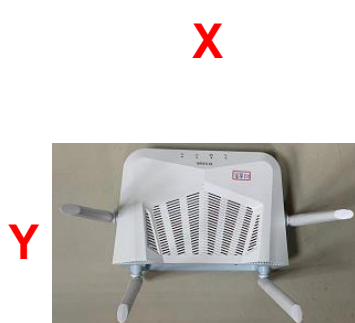
Elevation Plane  
phi = 0



Elevation Plane  
phi = 90



Setup :

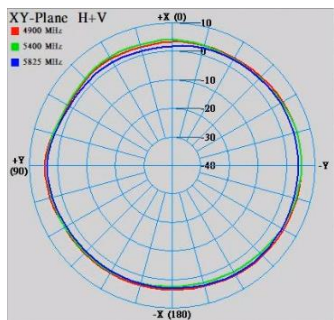


# Ant.4\_5GHz 2D.3D Radiation Pattern

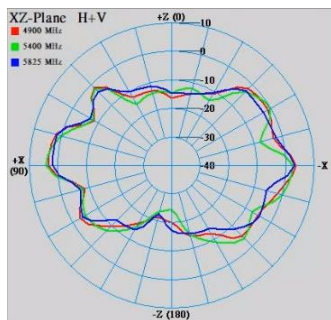
Frequency(MHz) : 2D. 5150~5825  
3D. 5550

Radiation Pattern :

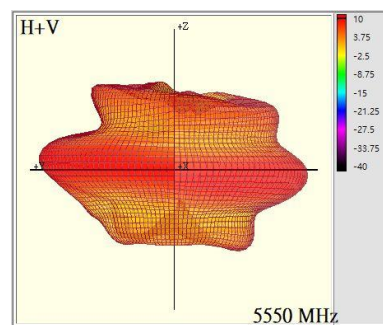
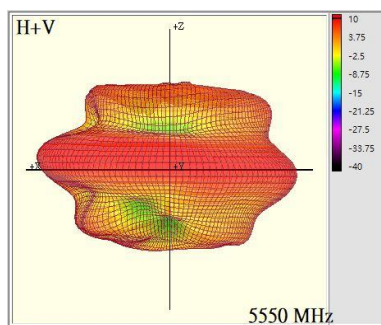
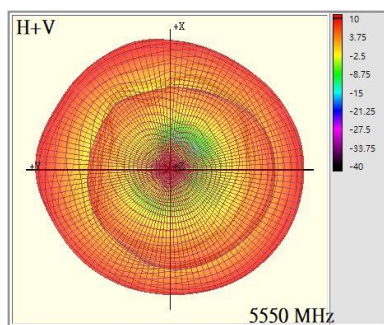
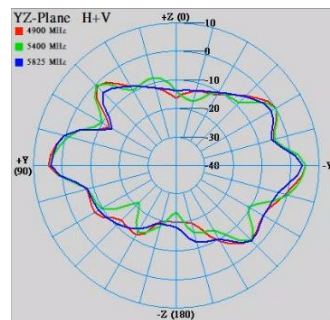
Azimuth Plane



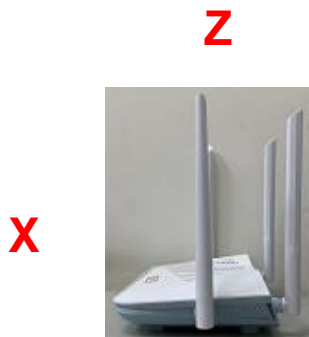
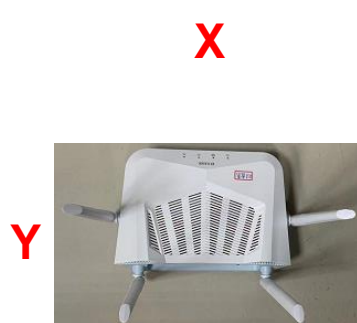
Elevation Plane  
phi = 0



Elevation Plane  
phi = 90

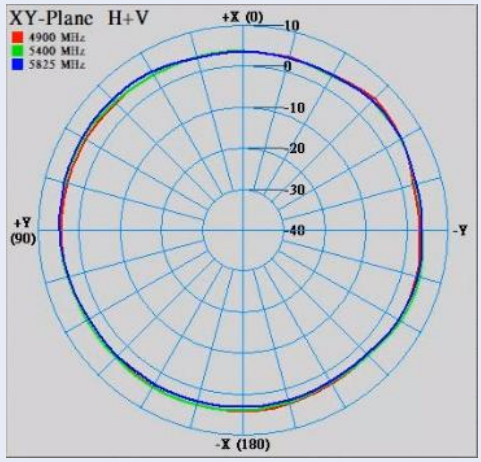
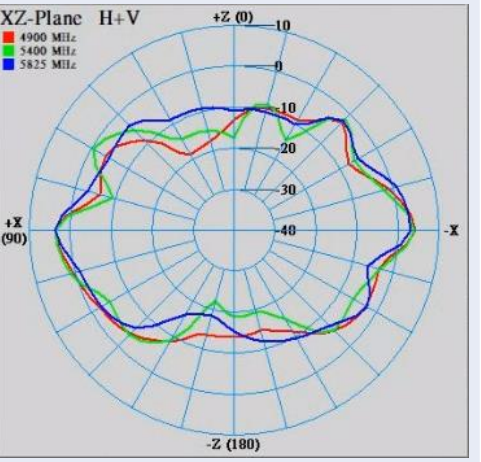
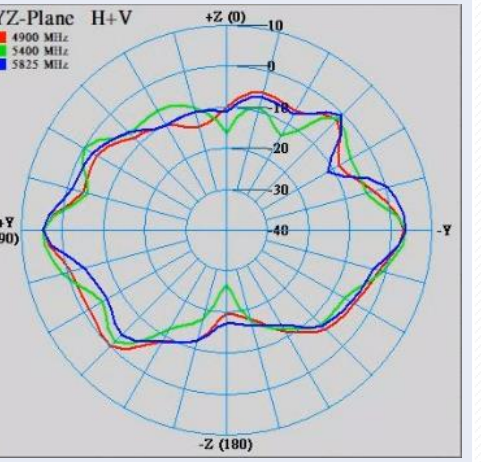

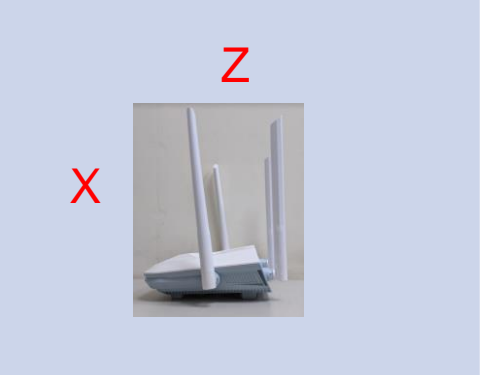



Setup :



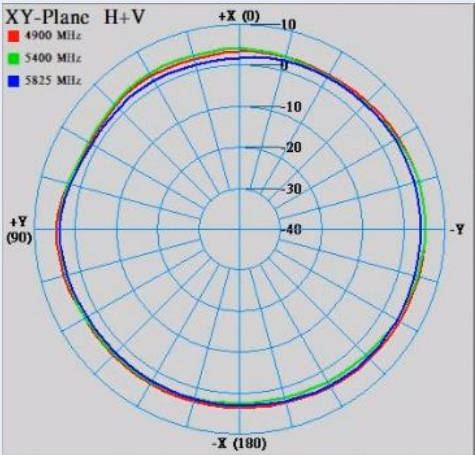
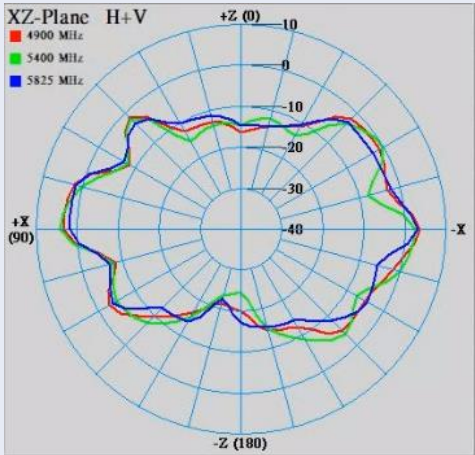
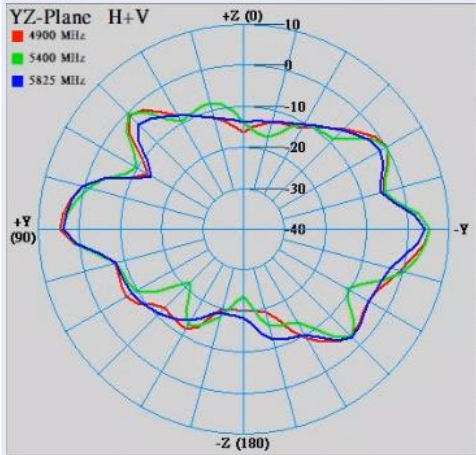



# Ant.3 5GHz 2D Radiation Pattern

LYNwave

Frequency(MHz)	4900~5825		
Plane	XY	XZ	YZ
Radiation Pattern	 <p>XY-Plane H+V</p> <p>Legend: 4900 MHz (Red), 5400 MHz (Green), 5825 MHz (Blue)</p> <p>Angles: +X (0), -X (180), +Y (90), -Y (270)</p>	 <p>XZ-Plane H+V</p> <p>Legend: 4900 MHz (Red), 5400 MHz (Green), 5825 MHz (Blue)</p> <p>Angles: +Z (0), -Z (180), +X (90), -X (270)</p>	 <p>YZ-Plane H+V</p> <p>Legend: 4900 MHz (Red), 5400 MHz (Green), 5825 MHz (Blue)</p> <p>Angles: +Z (0), -Z (180), +Y (90), -Y (270)</p>
Setup	 <p>X</p> <p>Y</p>	 <p>Z</p> <p>X</p>	 <p>Z</p> <p>Y</p>

# Ant.4 5GHz 2D Radiation Pattern

LYNwave

Frequency(MHz)	4900~5825		
Plane	XY	XZ	YZ
Radiation Pattern			
Setup			

# Gain Table

	Ant.3		
Frequency (MHz)	4900	5400	5825
Peak Gain(dBi)	4.8	5.3	4.8
Efficiency(%)	72	78	73
	Ant.4		
Frequency (MHz)	4900	5400	5825
Peak Gain(dBi)	4.4	4.9	4.3
Efficiency(%)	71	72	77