

WIFI 2.4G

Antenna Type /Gain : PCB Antenna

Chain 0: Gain: 2.54 dBi

Chain 1: Gain: 2.56 dBi

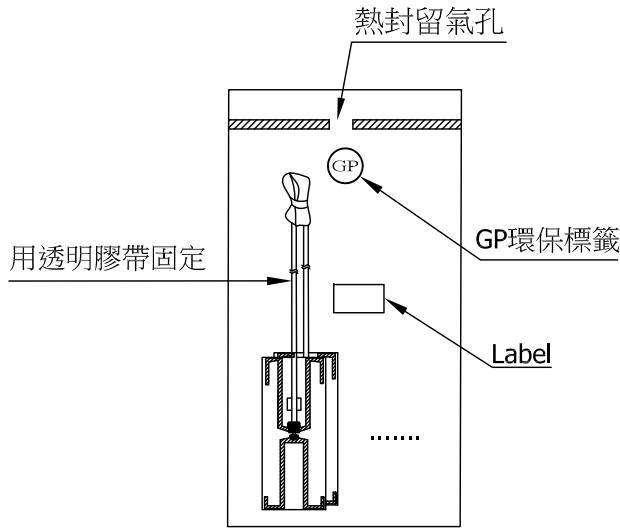
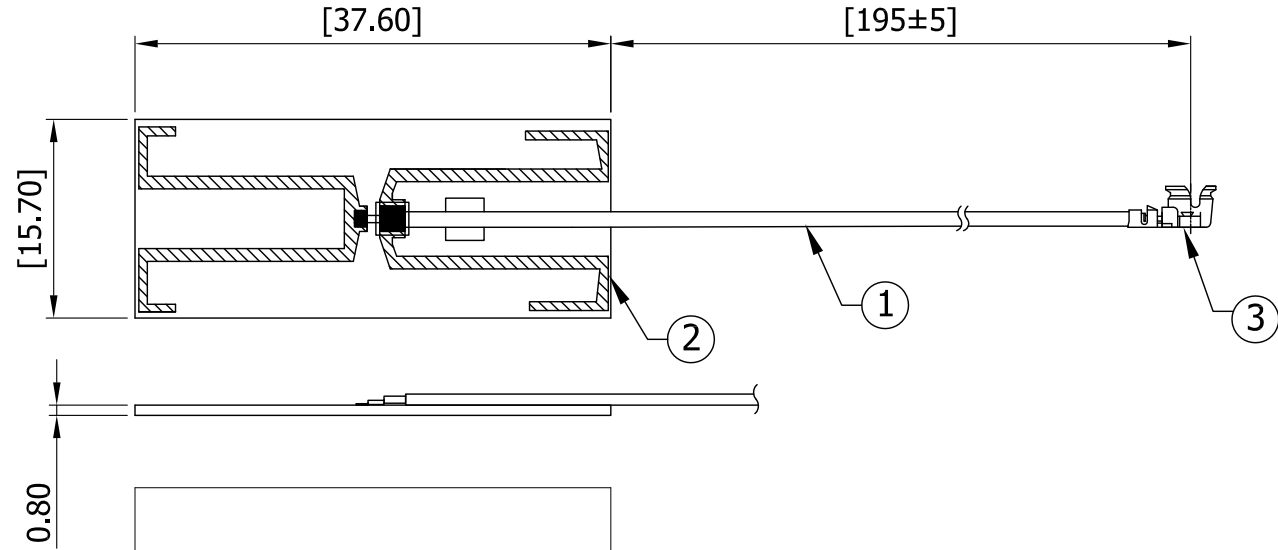
Power Directional Gain: 5.56 dBi

Antenna Brand/Model : Chain 0: WHA YU GROUP / C1958-510024-A

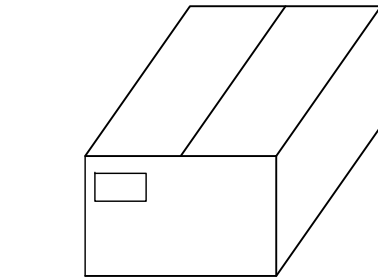
Chain 1: WHA YU GROUP / C1958-510025-A

CG-

REV	DATE	DESCRIPTION
X1	01/24-2022	New Issue



Packing : 25 pcs/bag
2000pcs/carton



外箱標籤貼於側麥左上角1PCS

備註：本產品以珍珠棉帶包裝端子，PE袋包裝成品，包裝箱內以間隔板隔開。

NO	DESCRIPTION	Q'TY	REMARK
3	Connector KS-MHF Connector(KS-MHF-37-N-01)	1	
2	PCB FR4 ; 31mil ; 1/2 Oz	1	Black Plated
1	Cable Φ1.37mm Low Loss Cable,Gray[灰色]	1	L=215mm

CUSTOMER'S SINGATURE

XX.	±5.0	APPROVED Spring
X.	±3.0	
.X	±1.0	CHECKED
.XX	±0.3	
.XXX	±0.1	DRAWING 白玉俠
⊕	≡	

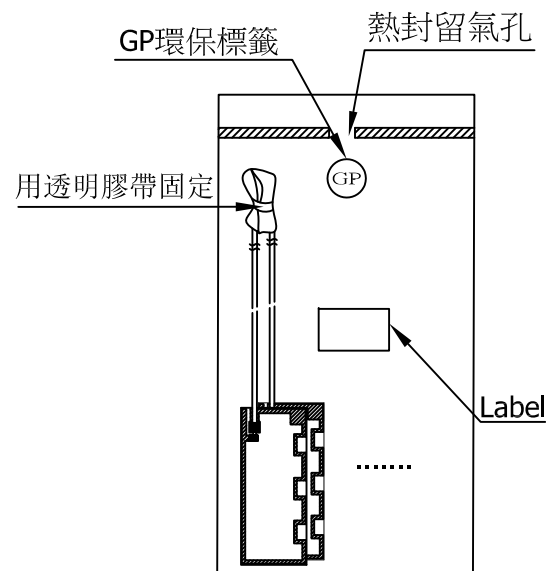
CUSTOMER: 易通展		
PART NO : MABAIF2195XXX2WG		
PART NAME: RF Antenna Assembly		
W.Y P/NO : C1958-510025-A		
REV	UNIT	FILE : SRF2022598
X1	mm	SHEET : 1/1

M.gear Wha Yu Group

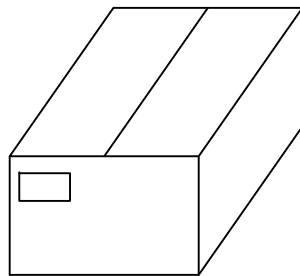
THIS DRAWING, AND IT'S INHERANT DESIGN CONCEPTS, ARE THE PROPERTY OF WHA YU AND AS SUCH MAY NOT BE COPIED, REPRODUCED, OR GIVEN TO THIRD PARTIES WITHOUT THE WRITTEN CONSENT OF WHA YU.

CG-

REV	DATE	DESCRIPTION
X1	01/24-2022	New Issue
X2	04/19-2022	變更線長

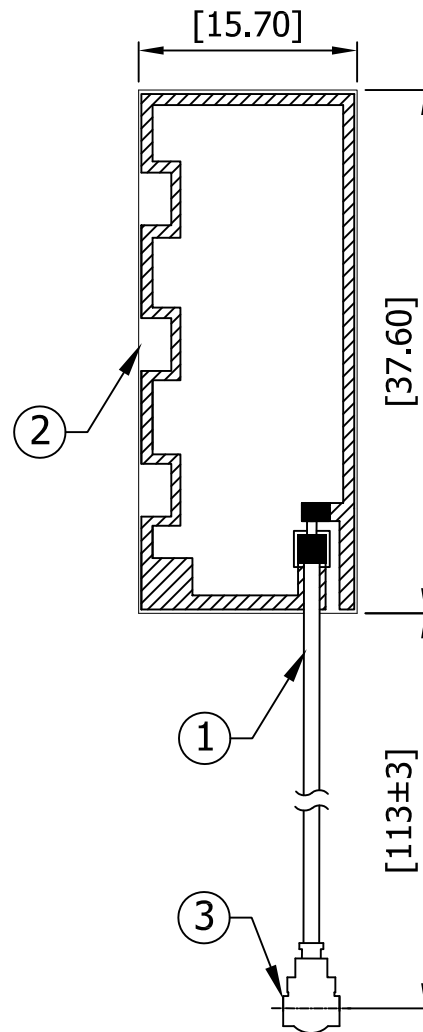
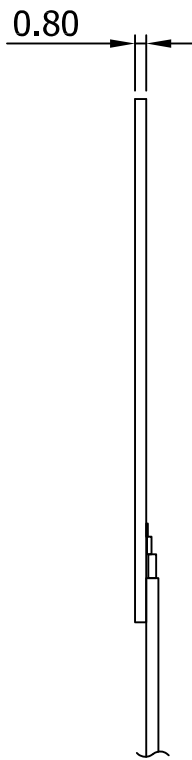


Packing : 25 pcs/bag
2500pcs/carton



外箱標籤貼於側麥左上角1PCS

備註：本產品以珍珠棉帶包裝端子，PE袋包裝成品，包裝箱內以間隔板隔開。



3	Connector	CCT MHF Connector(ANCZ1131-111-W)	1	
2	PCB	FR4 ; 31mil ; 1/2 Oz	1	Black Plated
1	Cable	Φ1.13mm Low Loss Coaxial Cable;Gray[灰色]	1	L=120mm
NO	DESCRIPTION		Q'TY	REMARK

CUSTOMER'S SINGATURE

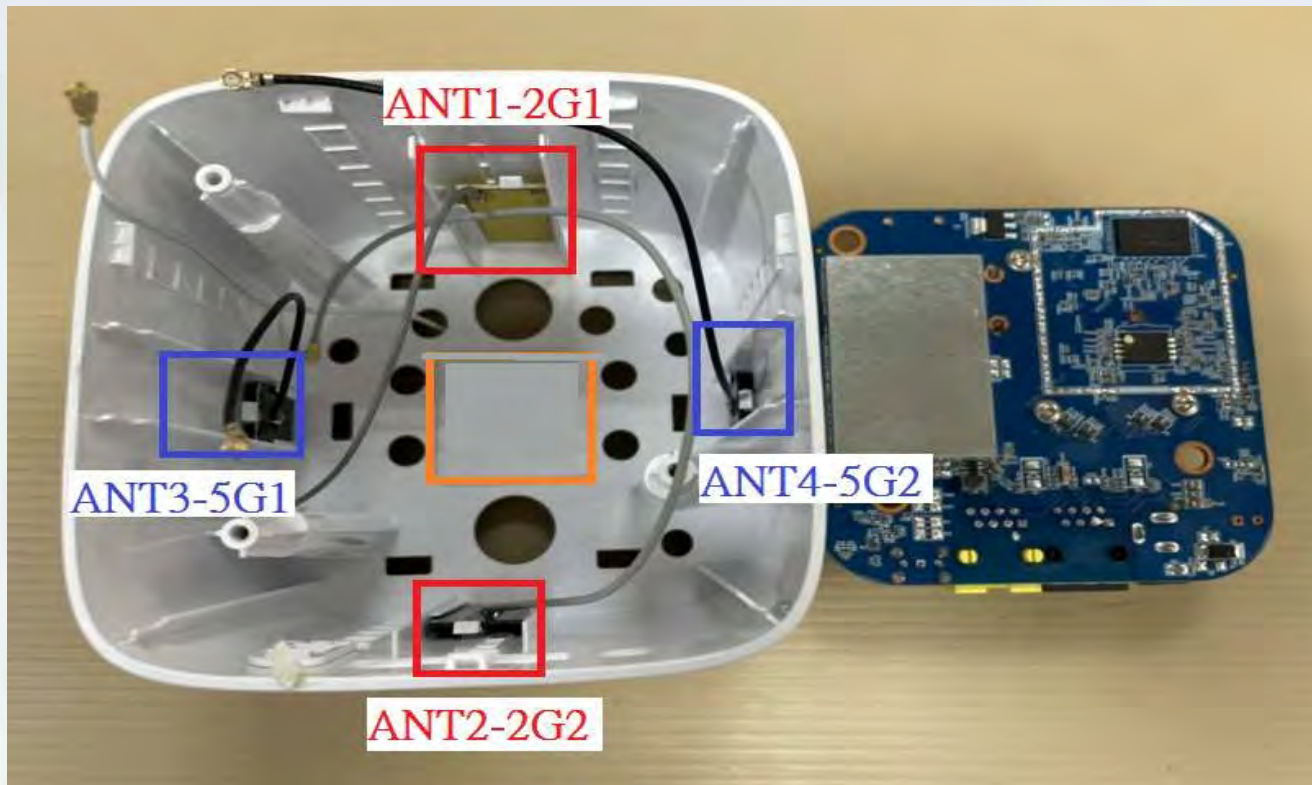
XX.	±5.0	APPROVED
X.	±3.0	Spring
.X	±1.0	CHECKED
.XX	±0.3	
.XXX	±0.1	DRAWING
⊕	⊖	白玉俠

CUSTOMER: 易通展		
PART NO : MABAIF2093XXX1WG		
PART NAME: RF Antenna Assembly		
W.Y P/NO : C1958-510024-A		
REV	UNIT	FILE : SRF2022598
X2	mm	SHEET : 1/1

M.gear Wha Yu Group

THIS DRAWING, AND IT'S INHERANT DESIGN CONCEPTS, ARE THE PROPERTY OF WHA YU AND AS SUCH MAY NOT BE COPIED, REPRODUCED, OR GIVEN TO THIRD PARTIES WITHOUT THE WRITTEN CONSENT OF WHA YU.

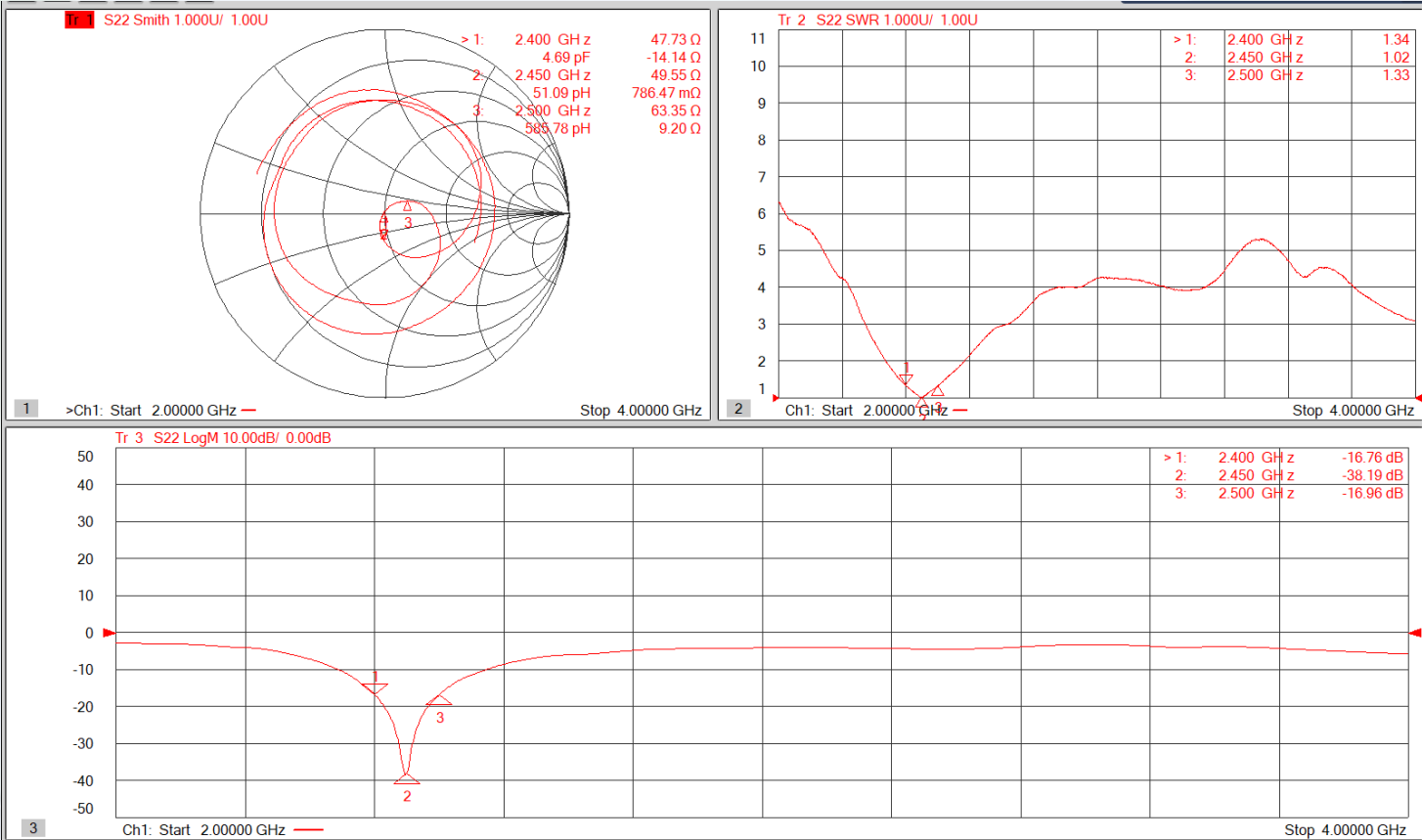
Antenna Placement & Solution



Antenna	Size (L * W * H) mm ³	Cable Length (mm)	Cable Type
2G1	37.6*15.7*0.8	總長120/外露113(灰)	1.13 low loss
2G2	37.6*15.7*0.8	總長215 /外露195(灰)	1.37 low loss
5G1	20.6*12*0.8	總長 104 /外露92	1.37 low loss
5G2	20.6*12*0.8	(黑)總長136 /外露124	1.37 low loss
			1.13 Normal

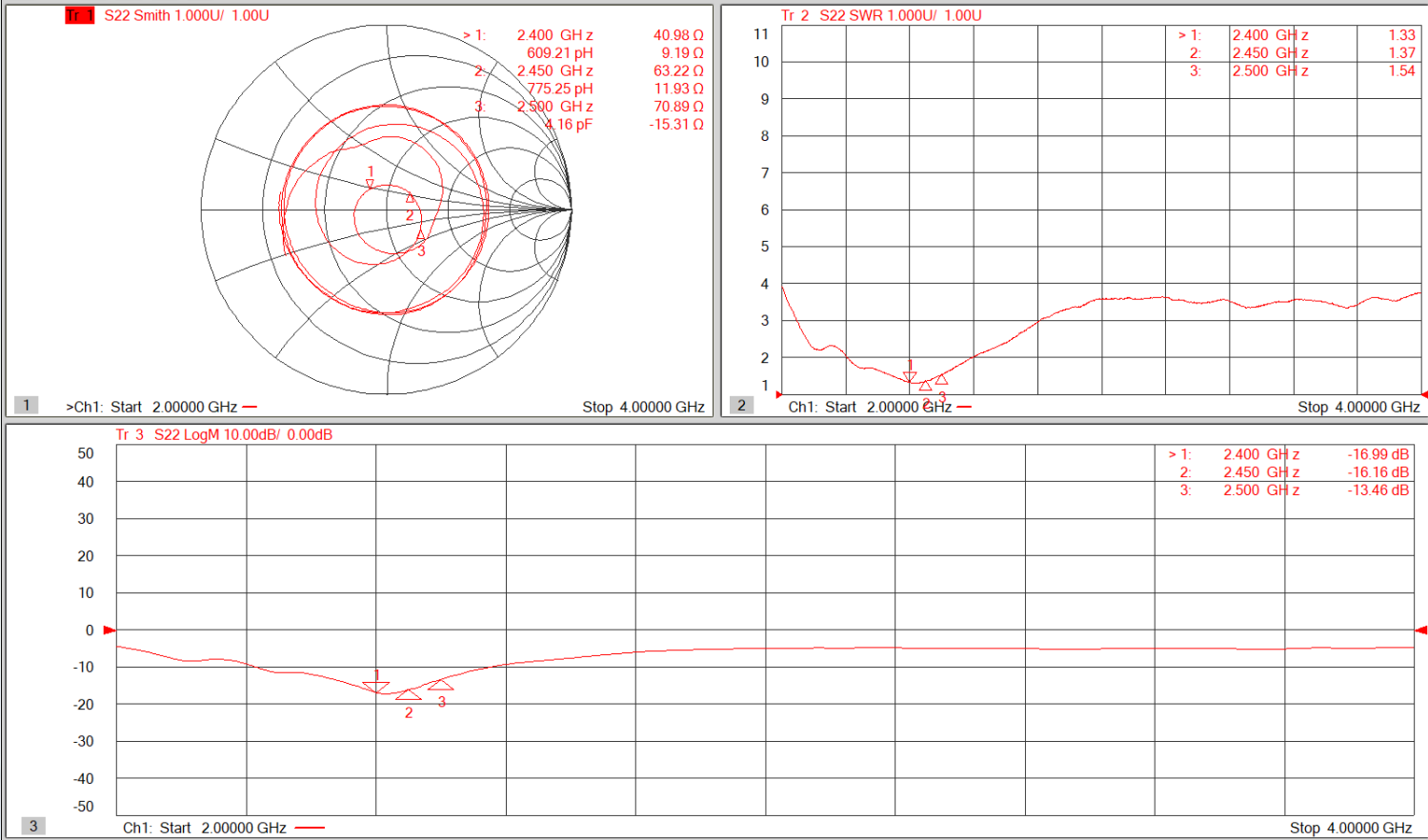
Return Loss Results

2G1 (2400MHz – 2500MHz) (Criterion:>10 dB)



Return Loss Results

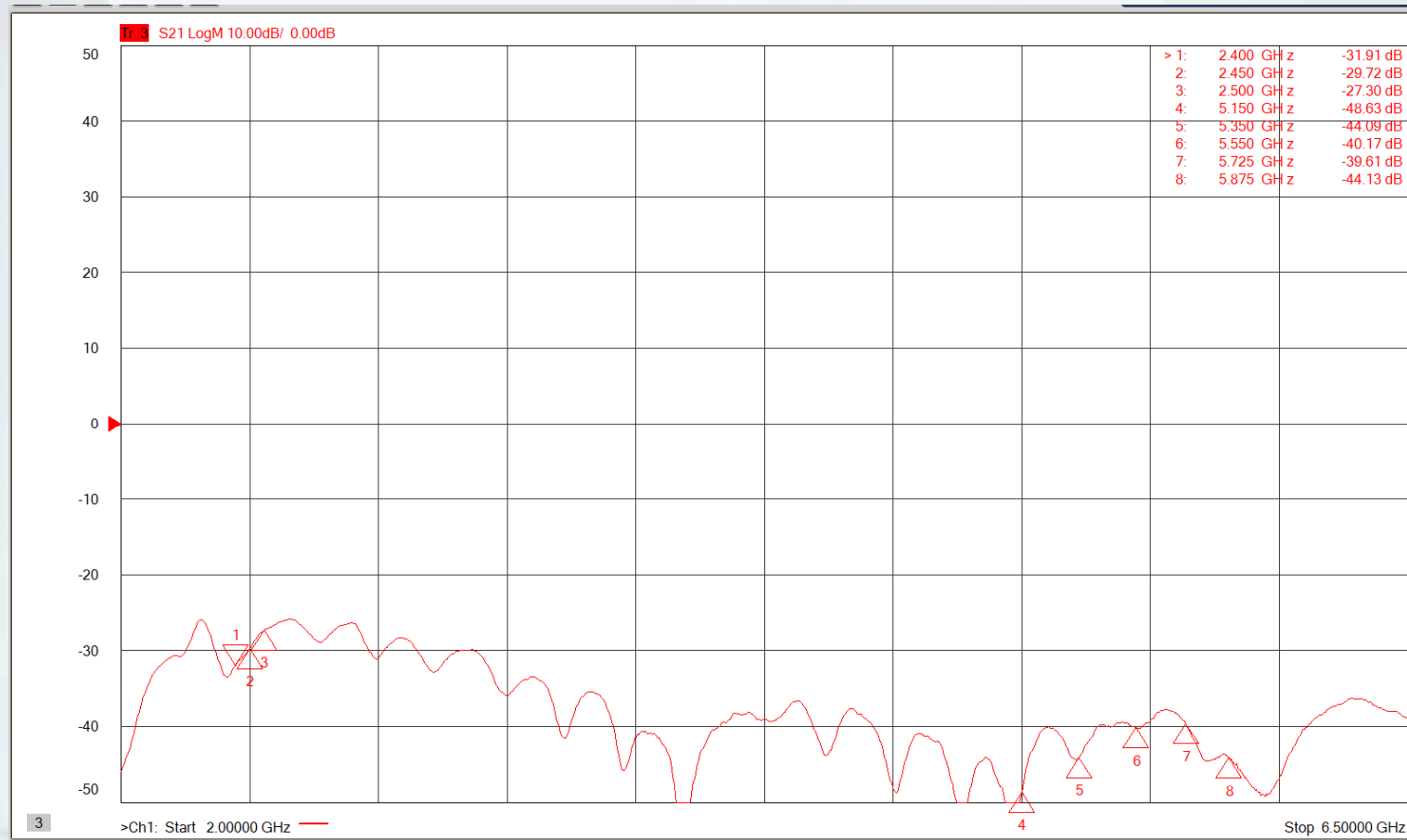
2G2 (2400MHz – 2500MHz) (Criterion:>10 dB)



WHA YU INDUSTRIAL CO., LTD.
 TEL : 886-3-5714225 FAX : 886-3-5713853 / 5723609
 Website : www.whayu.com
 E-mail : market@whayu.com

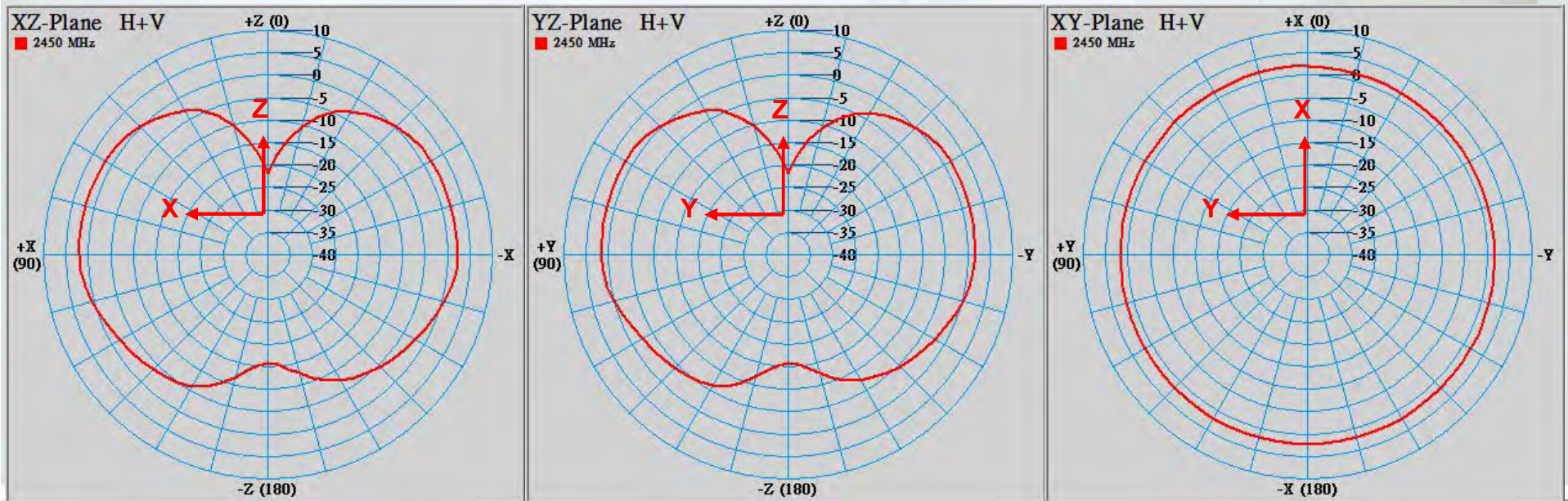
Isolation Results

2G1 & 2G2 (Criterion:>20 dB)



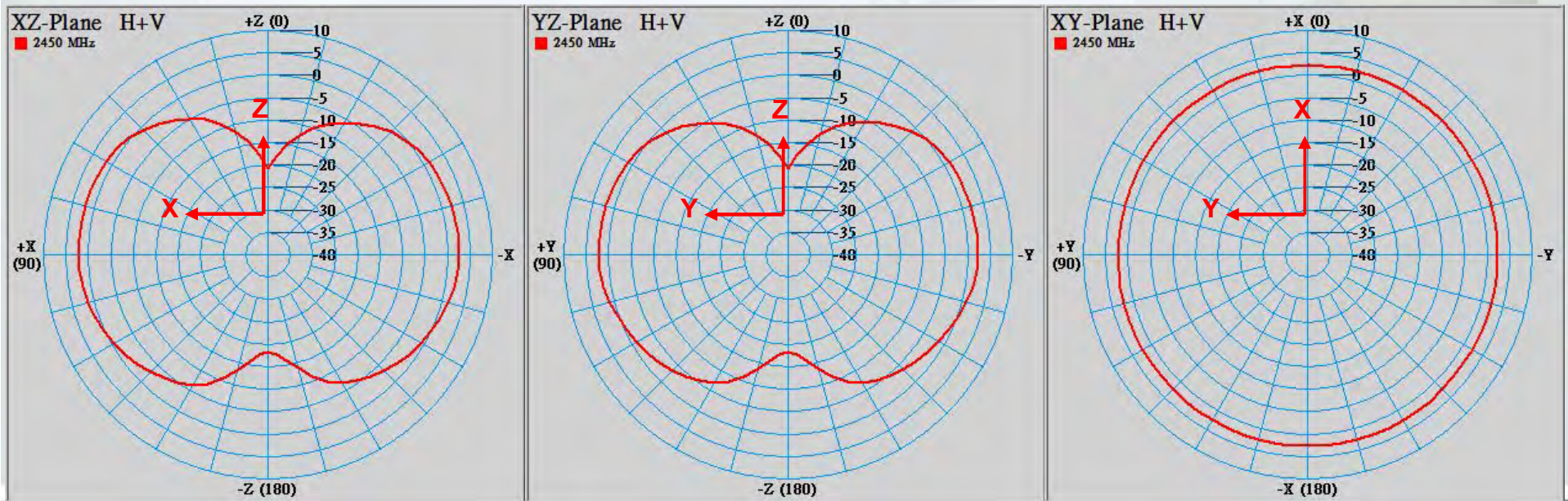
2D Radiation Pattern Results

2G1



2D Radiation Pattern Results

2G2



Results Summary

	Ant_2G1		Ant_2G2	
Frequency (MHz)	Peak Gain (dBi)	Efficiency (%)	Peak Gain (dBi)	Efficiency (%)
2400	2.36	84	2.46	83
2450	2.54	85	2.56	84
2500	2.57	85	2.63	82