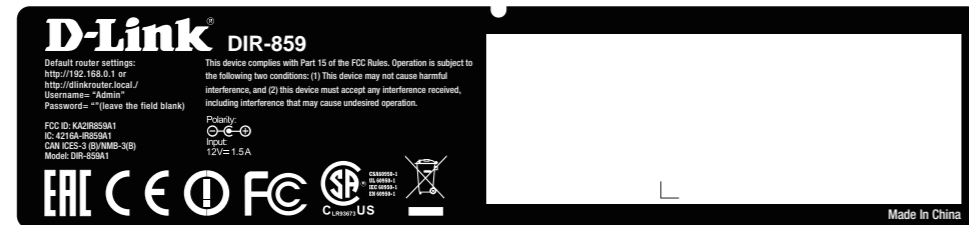
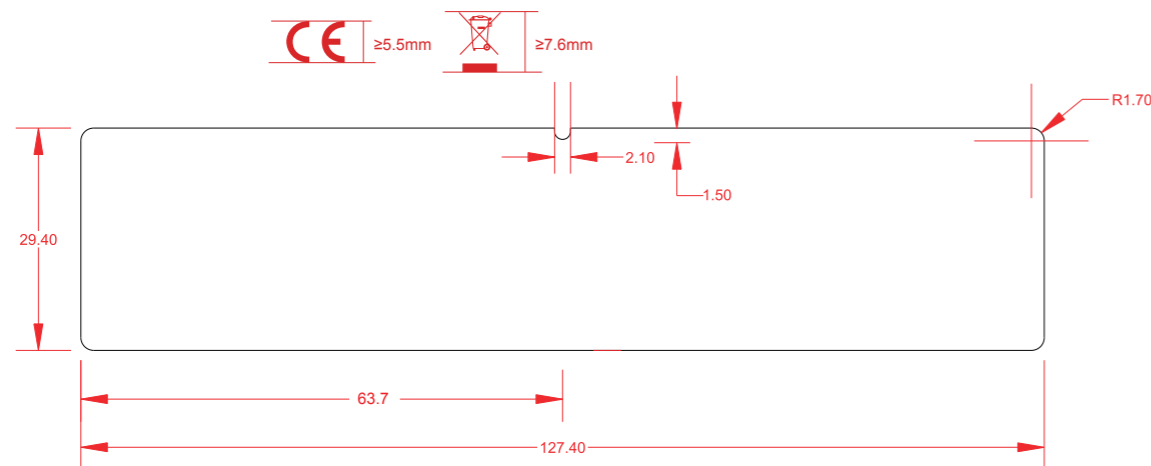
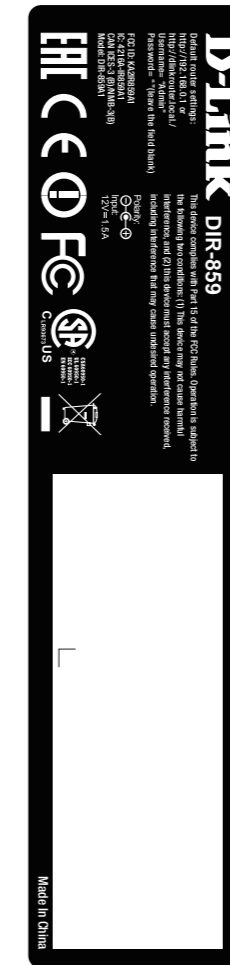


外印印刷稿  
for printing



廠內破打參考  
for additional printing

廠內打印進紙方向



<b>ALPHA</b>		Title: DIR-859 Device Label			
Drawn by: Ario Hsieh	Date: 2014/12/26	Material: 50μ白亮特多龍(PET) Glossy White Polyester Film	Part No.: 970000012907G	Rev.: 1.0	Task ID: 5212
Checked by: Jessie Cheng	Date: 2014/12/26	Coated: 25μ霧面特多龍(PET) Matte Clear Polyester Film	Unit: mm	Cutting and Printing Tolerance: ±0.15mm Contents Tolerance: ±0.15mm	
Approved by: Jessie Cheng	Date: 2014/12/26	Adhesive: 壓克力膠 Acrylic	Scale: 1:1	<input checked="" type="checkbox"/> Modified drawing <input type="checkbox"/> Original drawing	

Colors:

K100 Background



Label Here