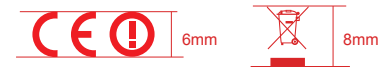
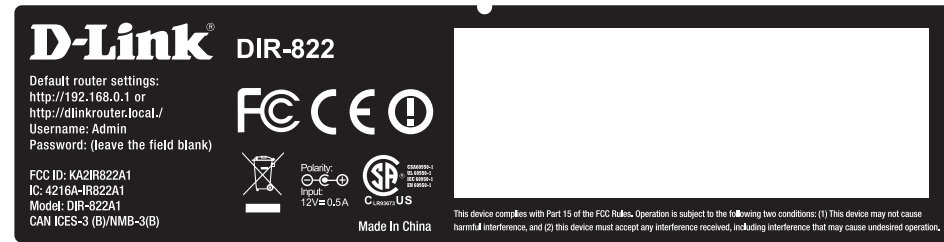
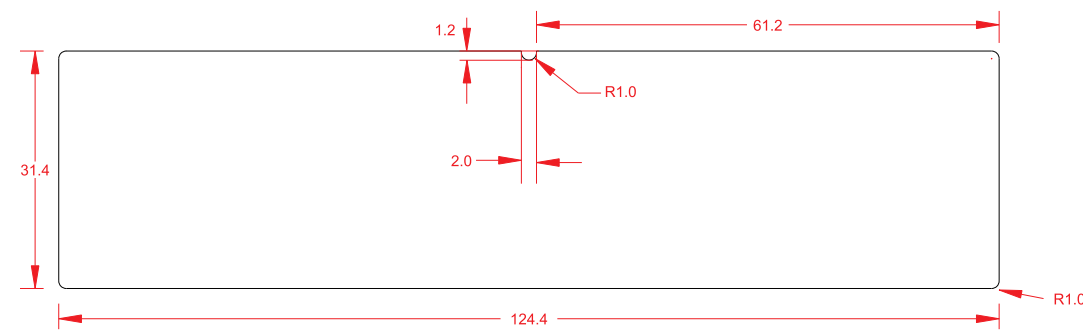


外印印刷稿
for printing



尺寸圖
outline dimension



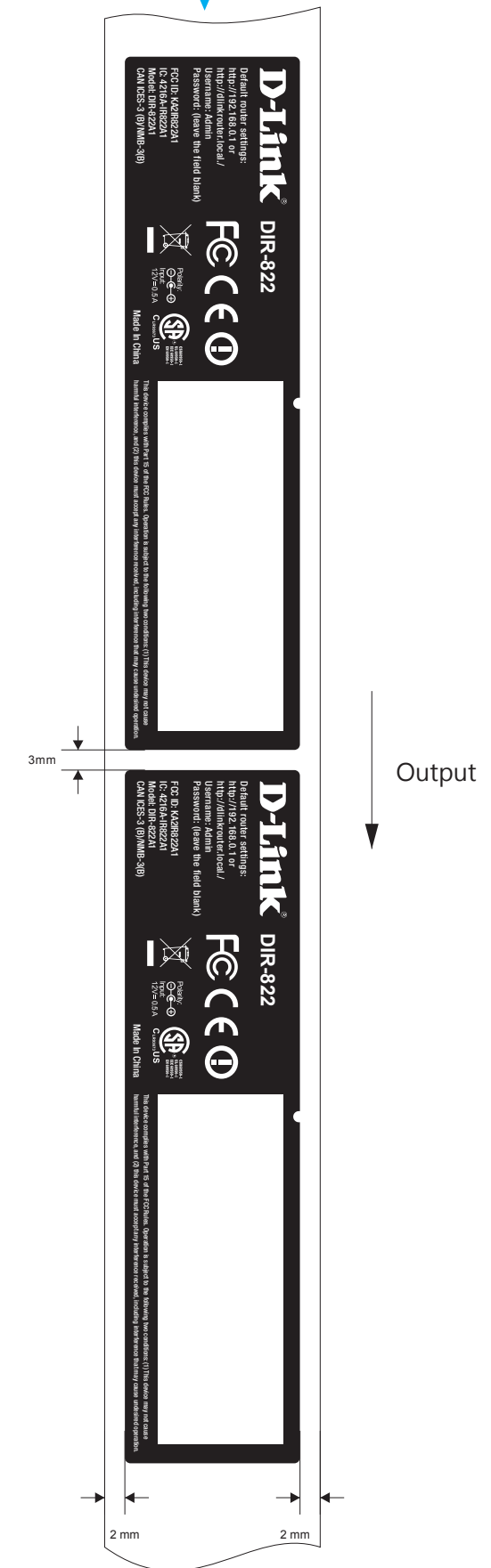
ALPHA		Title: DIR-822 Device Label			
Drawn by: Ario Hsieh	Date: 2015/05/08	Material: 50μ 白亮特多龍(PET) Glossy White Polyester Film	Part No.: 970000012997G	Rev.: 1.0	Task ID: 5625
Checked by: Mandy Chou	Date: 2015/05/08	Coated: 25μ 霧面特多龍(PET) Matte Clear Polyester Film	Unit: mm	Cutting and Printing Tolerance: ±0.15mm Contents Tolerance: ±0.15mm	
Approved by: Mandy Chou	Date: 2015/05/08	Adhesive: 壓克力膠 Acrylic	Scale: 1:1	<input checked="" type="checkbox"/> Modified drawing <input type="checkbox"/> Original drawing	

Colors:



入料方式

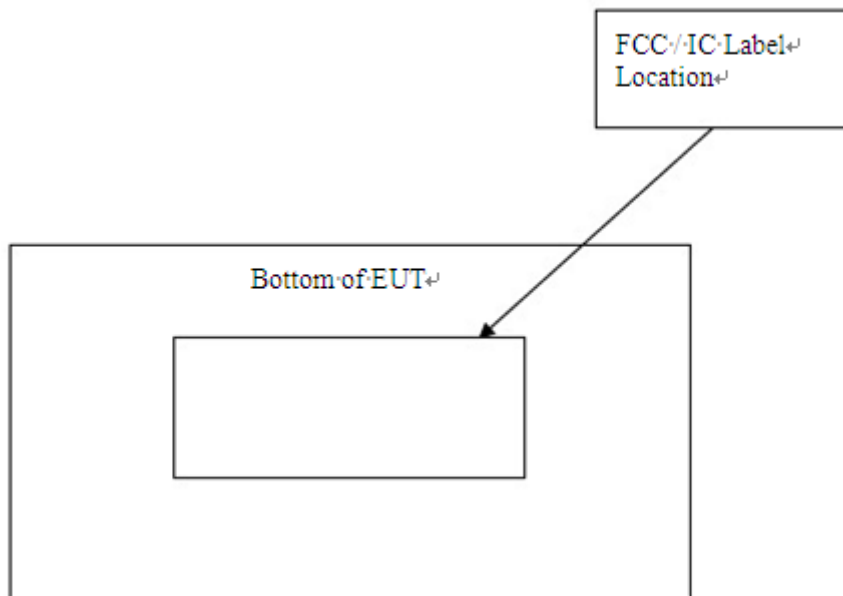
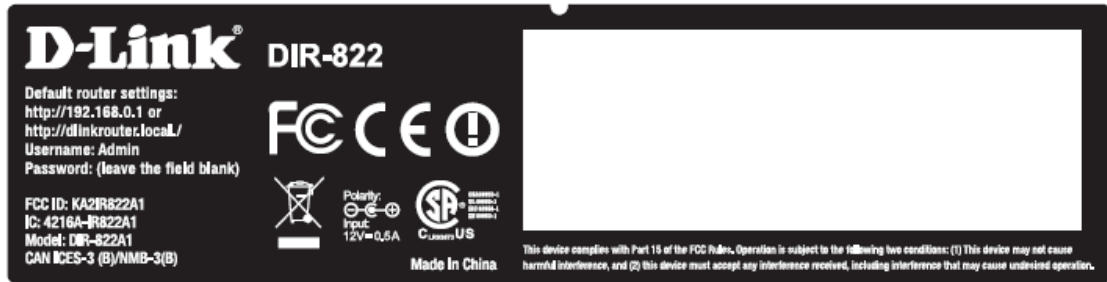
廠內打印進紙方向



LABEL LOCATION

Brand name : D-Link

Model name : DIR-822, DIR-822A1



FCC ID : KA2IR822A1
IC : 4216A-IR822A1