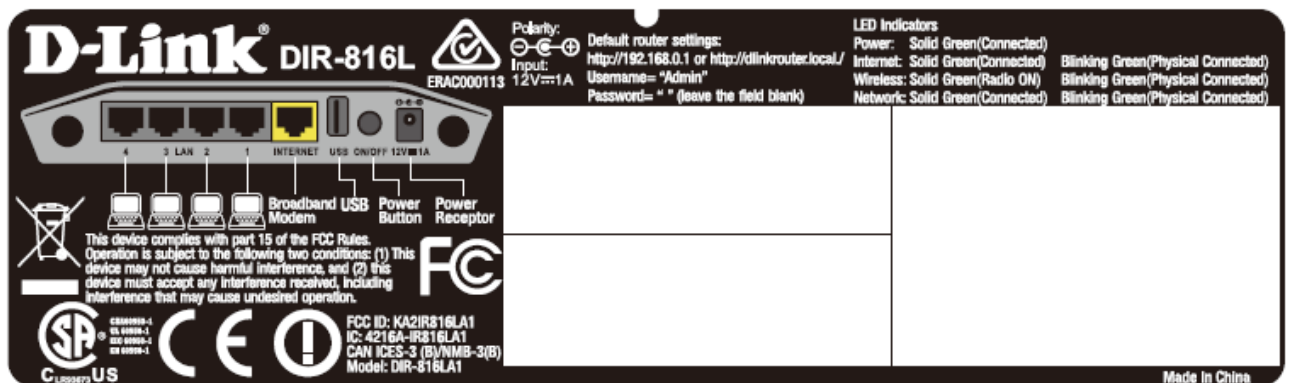
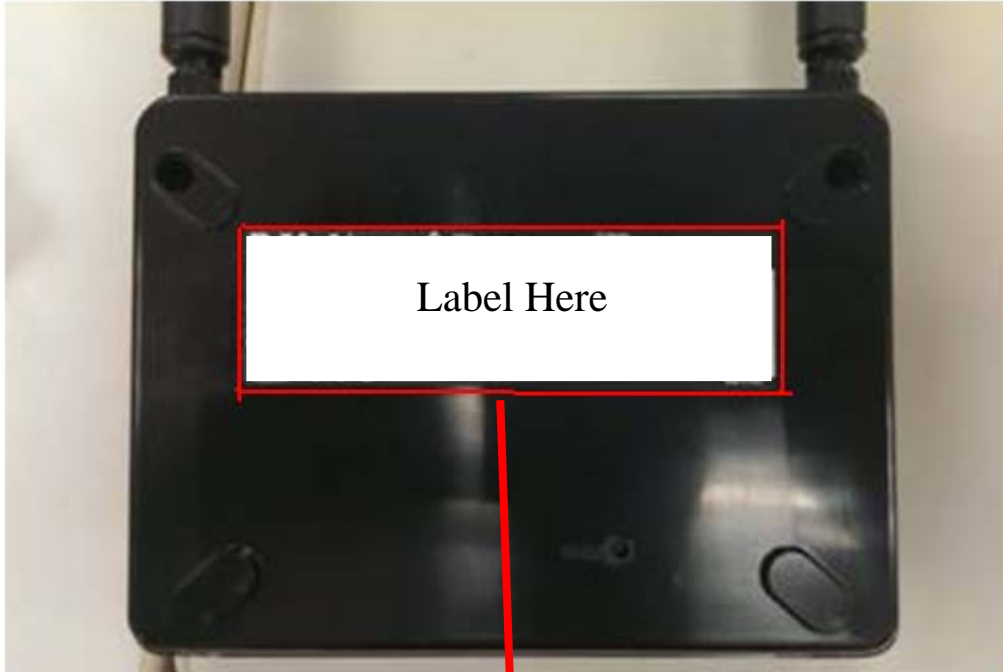
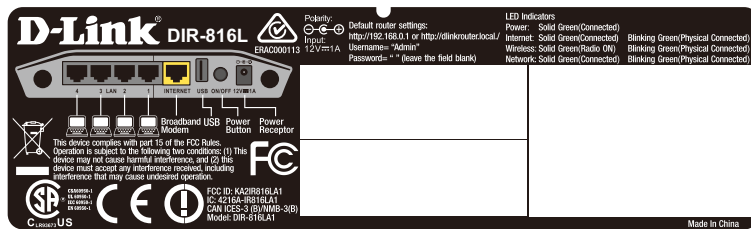


LABEL LOCATION

The label will be permanently affixed at a conspicuous location on the device.



FCC ID : KA2IR816LA1



注意：

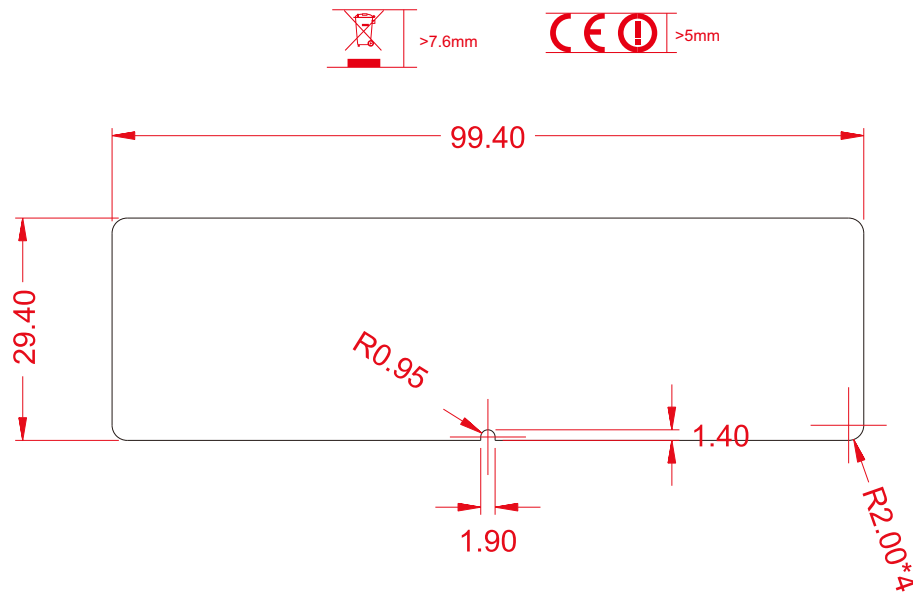
- 公差容許外形下料及沖孔尺寸: $\pm 0.15\text{mm}$
Outline and aperture Cut Tooling Tolerance: $\pm 0.15\text{mm}$
- 請參考產品結構
Please refer to the material construction.

Color:

-  Background: Black
-  PANTONE 114C


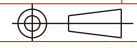
Material Construction

-  25μ霧面特多龍(PET) Matte Clear Polyester Film
-  50μ白亮特多龍(PET) Glossy White Polyester Film



REV	ECN	DESCRIPTION	APPROVED	DATE

LEGEND:
 = DESIGN CHANGE
 = INSPECTION DIM ID

			PART NAME		Tolerance unless Potherwise Pspecified		
			DIR-816L Device Label		Rev. A1 V1.00	Angle	1/2
MATERIAL	DRAWN ID: 3034	DATE	PART No.			100~	± 0.2
COLOR CHIP	Checked	DATE	970000258DLG		50~100	± 0.15	± 0.3
SURFACE TREATMENT	APPROVED	DATE	UNIT: mm		10~50	± 0.1	± 0.2
			SIZE: A4	SCALE 1:1	0~10	± 0.05	± 0.1
			DEFORMATION	3/1000	CLASS	A	B
			Q'TY	Sheet 1 OF 1			