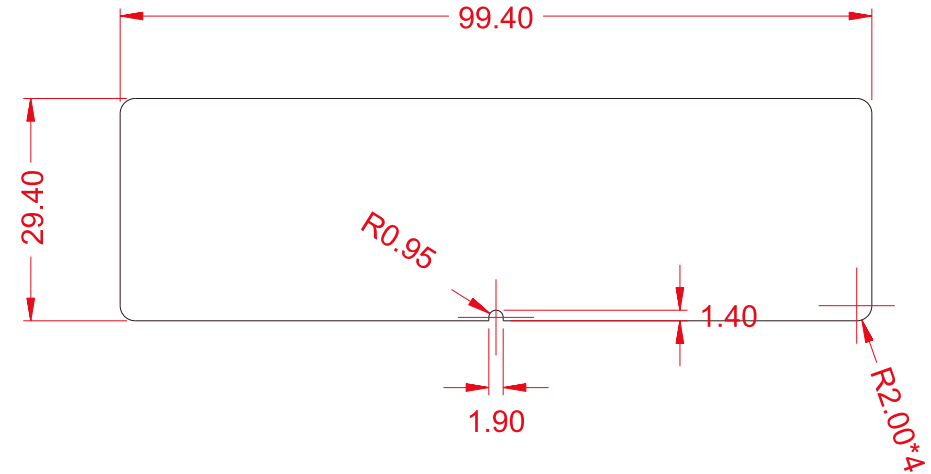


外印印刷稿
for printing

尺寸圖
outline dimension



8.6mm



5.2mm

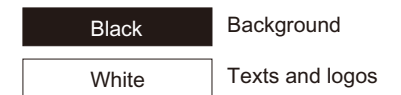


6mm

6mm

ALPHA		Title: DIR-803 Device Label			
Drawn by: Joan Huang	Date: 2014/7/1	Material: 50μ白亮特多龍(PET) Glossy White Polyester Film	Part No.: 9700000431DLG	Rev.:	Task ID: 4444
Checked by: Lush Lin	Date: 2014/7/1	Coated: 25μ霧面特多龍(PET) Matte Clear Polyester Film	Unit: mm	Cutting and Printing Tolerance: ±0.15mm Contents Tolerance: ±0.25mm	
Approved by: Lush Lin	Date: 2014/7/1	Adhesive: 壓克力膠 Acrylic	Scale: 1:1	<input checked="" type="checkbox"/> Modified drawing <input type="checkbox"/> Original drawing	

Colors:



label location

