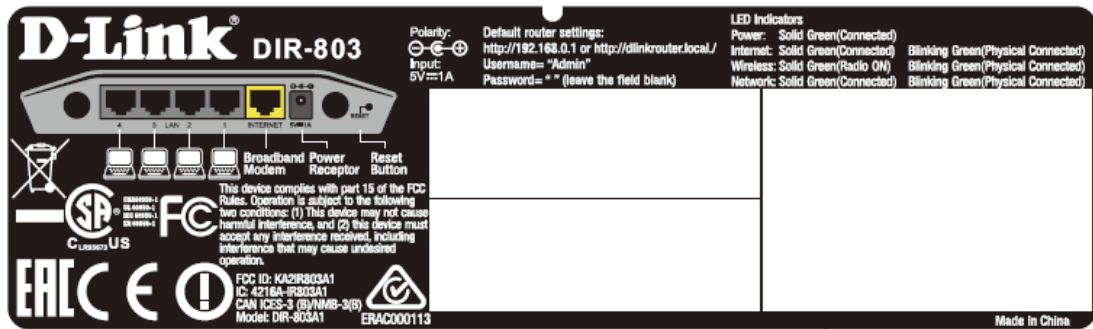


LABEL LOCATION

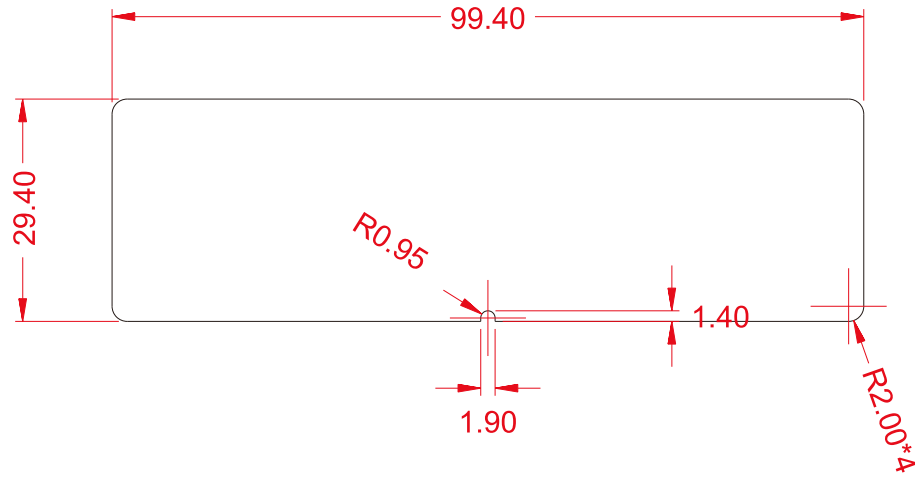
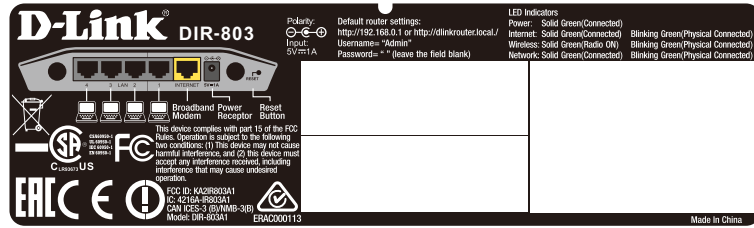
The label will be permanently affixed at a conspicuous location on the device.

Brand name : D-Link

Model name : DIR-803L



FCC ID : **KA2IR803A1**
IC : **4216A-IR803A1**



- 注意：
- 公差容許外形下料及沖孔尺寸:±0.15mm
 Outline and aperture Cut Tooling Tolerance:±0.15mm
 - 請參考產品結構
 Please refer to the material construction.

Color:



Material Construction



REV	ECN	DESCRIPTION	APPROVED	DATE

LEGEND:
 △ = DESIGN CHANGE
 ⊗ = INSPECTION DIM ID

			PART NAME		Tolerance unless Potherwise Pspecified		
			DIR-803 Device Label		Angle	1/2	1
MATERIAL			DRAWN ID: 3029	DATE	100~		
COLOR CHIP			Joan Huang	2013/8/20	50~100	±0.15	±0.3
SURFACE TREATMENT			CHECKED	DATE	10~50	±0.1	±0.2
			Jill Chen	2013/8/20	0~10	±0.05	±0.1
			APPROVED	DATE	CLASS	A	B
			Jill Chen	2013/8/20			
					Q'TY		
					Sheet 1 OF 1		