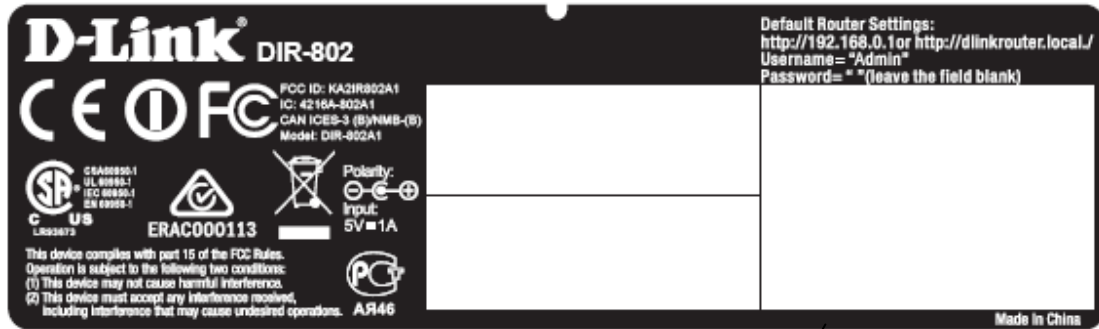


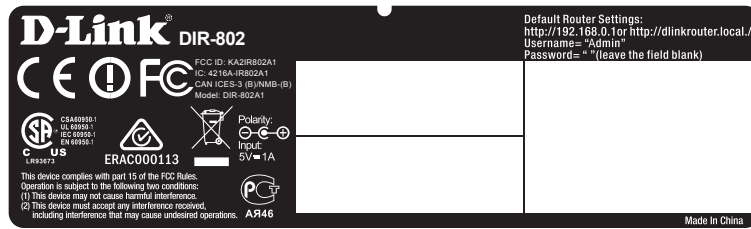
LABEL LOCATION

Brand name : D-Link

Model name : DIR-802A1



FCC ID : **KA2IR802A1**
IC : **4216A-IR802A1**



注意：

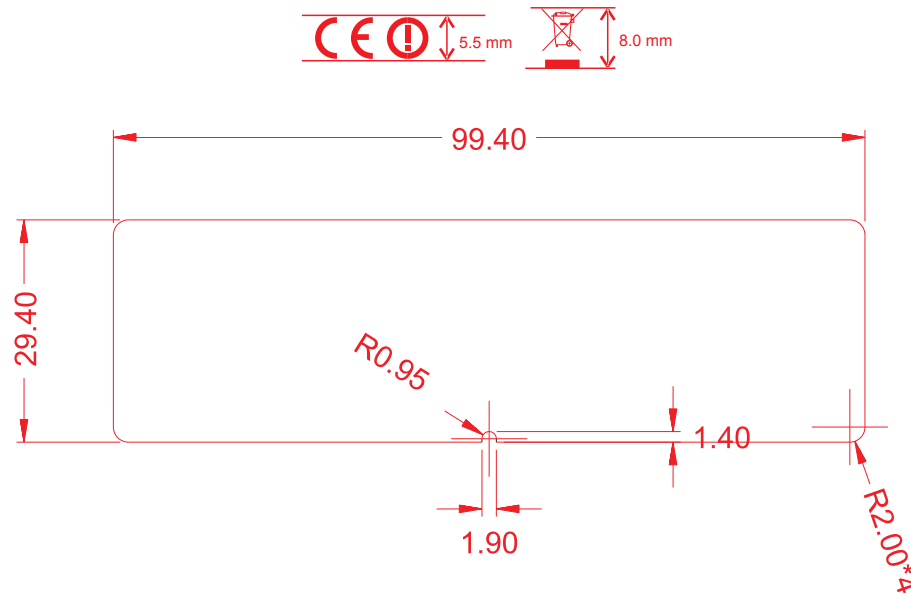
- 公差容許外形下料及沖孔尺寸: $\pm 0.15\text{mm}$
Outline and aperture Cut Tooling Tolerance: $\pm 0.15\text{mm}$
- 請參考產品結構
Please refer to the material construction.

Color:

Background: Black

Material Construction

白亮特多龍 50 μ Glossy White Polyester Label
 25 μ 霧面特多龍(PET) Matte Clear Polyester Film



REV	ECN	DESCRIPTION	APPROVED	DATE

LEGEND:
 △ = DESIGN CHANGE
 (XX) = INSPECTION DIM ID

Alpha Networks Inc.			PART NAME		Tolerance unless Potherwise Pspecified				
			DIR-802 Device Label		Angle	1/2	1		
MATERIAL			DRAWN	DATE	PART No.	Rev.	100~	± 0.2	± 0.5
COLOR CHIP			Natasha_lai	2013/7/22	970000012362G	A1	50~100	± 0.15	± 0.3
SURFACE TREATMENT			CHECKED	DATE	UNIT: mm	SCALE	10~50	± 0.1	± 0.2
			Jaylin_Lin	2013/7/22		1:1	0~10	± 0.05	± 0.1
			APPROVED	DATE	DEFORMATION	3/1000	CLASS	A	B
			Jaylin_Lin	2013/7/22					
					QTY	Sheet 1 OF 1			