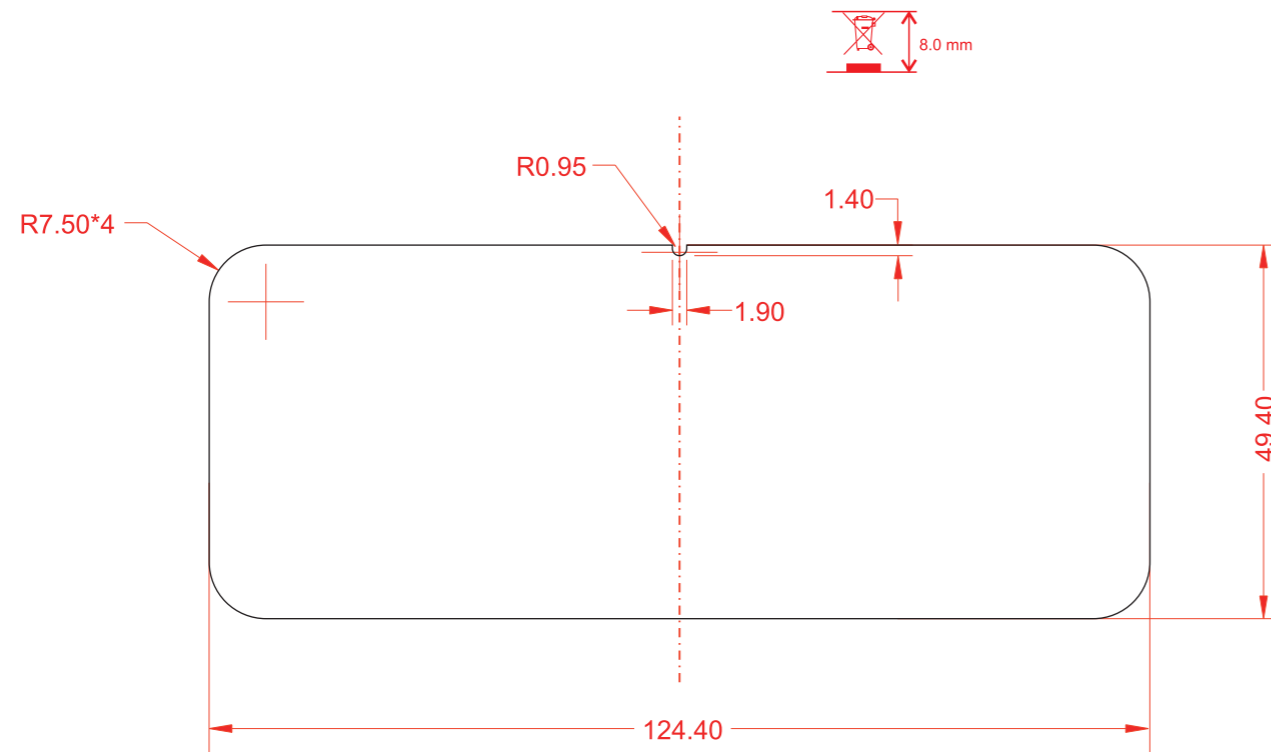


**NOTICE 注意：**

- 公差容許外形下料及沖孔尺寸:  $\pm 0.3\text{mm}$   
Outline and aperture Cut Tooling Tolerance:  $\pm 0.3\text{mm}$
- 請參考產品結構  
Please refer to the material construction.

**Color:**

- Background: Black
- Internet Port: PANTONE 114 C



**Material Construction**

PET霧膜  
 白亮特多龍

REV	ECN	DESCRIPTION	APPROVED	DATE

**LEGEND:**

- = DESIGN CHANGE
- = INSPECTION DIM ID

			PART NAME		Tolerance unless otherwise specified		
			DIR-619L A1 Device Label		Rev.	Angle	1/2
MATERIAL	DRAWN	DATE	PART No.				
COLOR CHIP	CHECKED	DATE	9700000099DLG		50~100	$\pm 0.15$	$\pm 0.3$
SURFACE TREATMENT	APPROVED	DATE	UNIT: mm		10~50	$\pm 0.1$	$\pm 0.2$
			SIZE: A3	SCALE	0~10	$\pm 0.05$	$\pm 0.1$
			DEFORMATION	3/1000	CLASS	A	B
			Q'TY	Sheet 1 OF 1			