

1

2

3

4

5

6

A

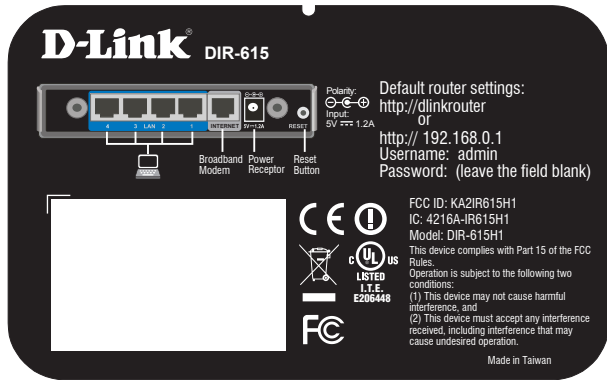
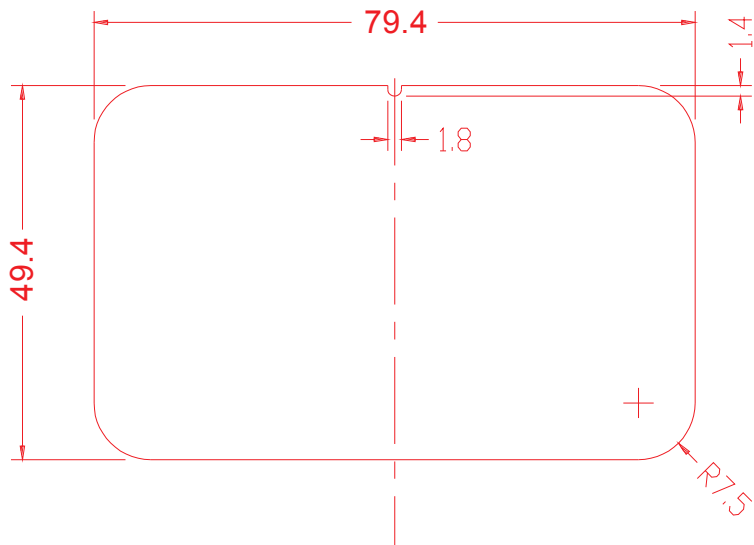
B

C

D

REVISIONS

ECN	DESCRIPTION	DATE	APPROVED



Note:公差容許  
 外形下料及沖孔尺寸+/-0.15



Title **DIR-615 Device Label**

RANGE	TOL ±				
	M1	M2	M3	I1	I2
6 以下	0.1	0.1	.15	0.2	0.3
6-30	0.1	0.2	.15	.25	0.3
30-80	.15	.25	0.2	0.3	0.4
80-180	.15	0.3	.25	.45	0.5
180-315	0.2	0.5	0.4	0.5	0.6
315-800	0.3	0.6	0.6	0.6	0.8

Doc/No.	Material	Drawn	Date	Part No.	Rev. <b>2</b>
REV. DATE	ISSUED DATE	Heat Treatment	Checked	UNIT mm	Scale <b>1:1</b>
PAGE/OF	Version	Surface Treatment	Approved	Q'TY	Sheet of