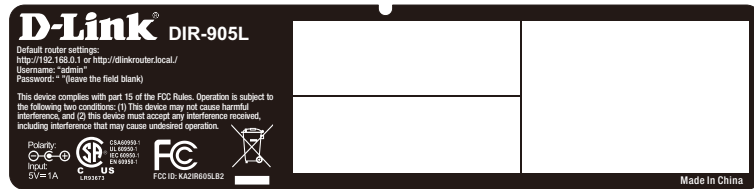
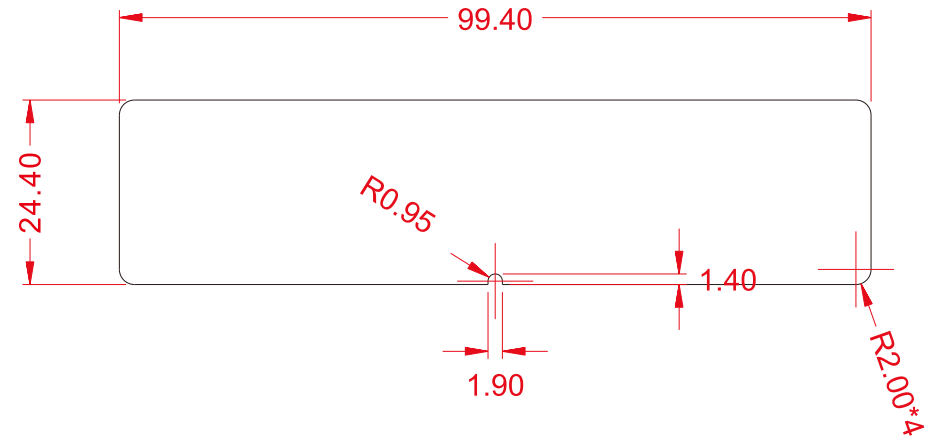


外印印刷稿
for printing



尺寸圖
outline dimension



ALPHA		Title: DIR-905L Device Label			
Drawn by: Joan Huang	Date: 2014/8/7	Material: 50μ白亮特多龍(PET) Glossy White Polyester Film	Part No. 970000012804G	Rev.:	Task ID: 4648
Checked by: Hilary Su	Date: 2014/8/7	Coated: 25μ霧面特多龍(PET) Matte Clear Polyester Film	Unit: mm	Cutting and Printing Tolerance: ±0.3mm Contents Tolerance: ±0.25mm	
Approved by: Hilary Su	Date: 2014/8/7	Adhesive: 壓克力膠 Acrylic	Scale: 1:1	<input checked="" type="checkbox"/> Modified drawing <input type="checkbox"/> Original drawing	

Colors:

	Background
	Texts and logos

label location

