
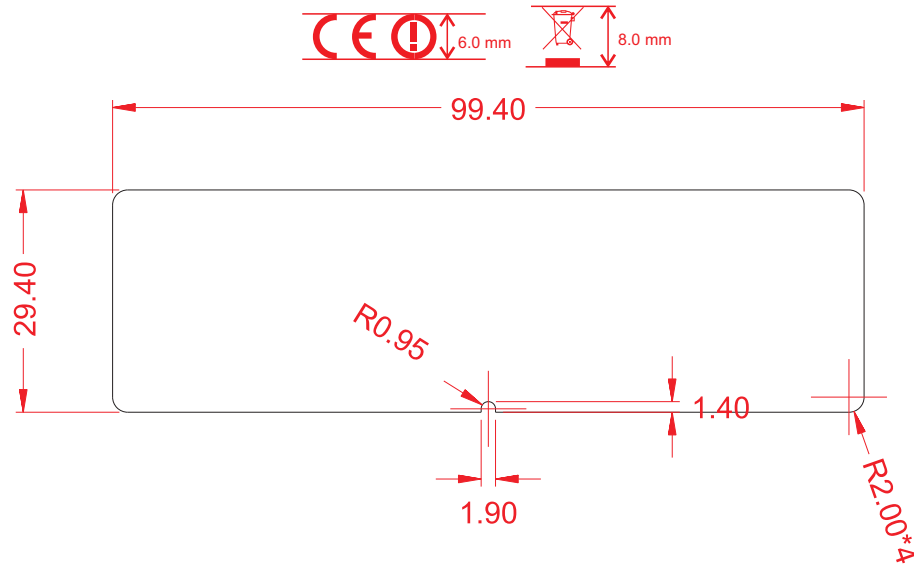


- 注意：
- 公差容許外形下料及沖孔尺寸: $\pm 0.15\text{mm}$
Outline and aperture Cut Tooling Tolerance: $\pm 0.15\text{mm}$
 - 請參考產品結構
Please refer to the material construction.

Color:
 Background: Black


Material Construction

 PET霧膜/ Matte transparent PET film for Laminating
 白亮特多龍/White PET film



REV	ECN	DESCRIPTION	APPROVED	DATE

LEGEND:
 = DESIGN CHANGE
 = INSPECTION DIM ID

			PART NAME		Tolerance unless Potherwise Pspecified		
			DIR-600L Device Label		Angle	1/2	1
MATERIAL			PART No.		Rev.		
DRAWN			970000011753G		100~		
DATE			UNIT: mm		50~100		
2011/12/14			SCALE 1:1		10~50		
CHECKED			SIZE : A4		0~10		
DATE			DEFORMATION		CLASS		
2011/12/14			3/1000		A B		
APPROVED			Q'TY		Sheet 1 OF 1		
DATE			Sheet 1 OF 1				
2011/12/14							