

1

2

3

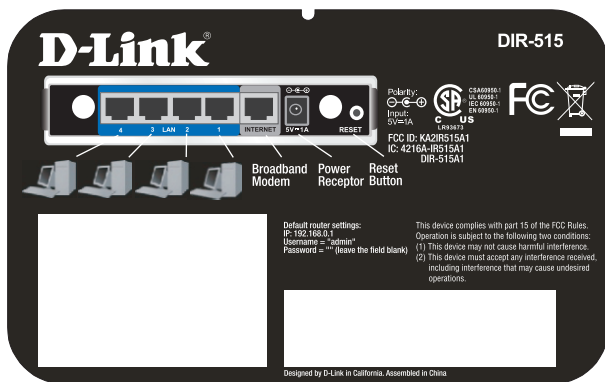
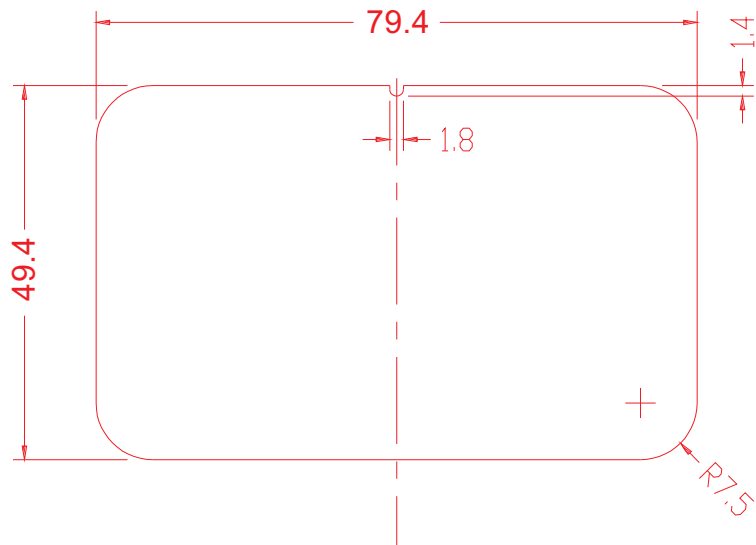
4

5

6

REVISIONS

ECN	DESCRIPTION	DATE	APPROVED



Note:公差容許
外形下料及沖孔尺寸+/-0.15

ALPHA

Title		Part No.		Rev. 2	
Doc/No.	Material	Drawn	Date	UNIT mm	Scale 1:1
REV. DATE	ISSUED DATE	Heat Treatment	Checked	Q'TY	Sheet of
PAGE/OF	Version	Surface Treatment	Approved		

RANGE	TOL ±					
	M1	M2	M3	I1	I2	B
6 以下	0.1	0.1	.15	0.2	0.3	
6-30	0.1	0.2	.15	.25	0.3	
30-80	.15	.25	0.2	0.3	0.4	
80-180	.15	0.3	.25	.45	0.5	
180-315	0.2	0.5	0.4	0.5	0.6	
315-800	0.3	0.6	0.6	0.6	0.8	

**INSERT CD AND
RUN WIZARD FIRST**

D-Link

DIR-515



Broadband
Modem

Power
Receptor

Reset
Button



FCC ID: 680915A1
IC: 4210A-8015A1
DIR-515A1

Default router settings:
IP: 192.168.1.1
Username: "admin"
Password: "" (leave the field blank)
Made in China

This device complies with part 15 of the FCC Rules.
Operation is subject to the following two conditions:
(1) This device may not cause harmful interference.
(2) This device must accept any interference received,
including interference that may cause undesired
operations.