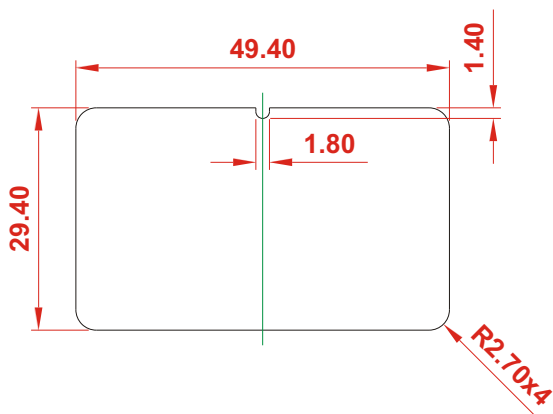


1 2 3 4 5



**NOTES:**

**^ Outline and aperture Cut-Tooling +0.15 mm.**

ECN	DESCRIPTION	DATE	APPROVED
REVISIONS			

<b>ALPHA</b> Alpha Networks Inc.		Title <b>DIR-412 BTM Label</b>		Tolerances unless otherwise specified	
Material	Drawn <b>Dio</b> Date <b>2009/08/11</b>	Part No. <b>9xxxxxxxxxxxG</b>	Rev. <b>A</b>	Angle	$\pm 1/2$ $\pm 1$
Heat Treatment	Checked <b>Jeff</b> Date <b>2009/08/11</b>	UNIT : mm		100	$\pm 0.3$ $\pm 0.5$
Surface Treatment	Approved <b>Ping</b> Date <b>2009/08/11</b>	Q TY	Scale <b>1/1</b>	50-100	$\pm 0.2$ $\pm 0.3$
		Sheet of		10-50	$\pm 0.1$ $\pm 0.2$
				0-10	$\pm 0.05$ $\pm 0.1$
				Class	A B

1 2 3 4 5