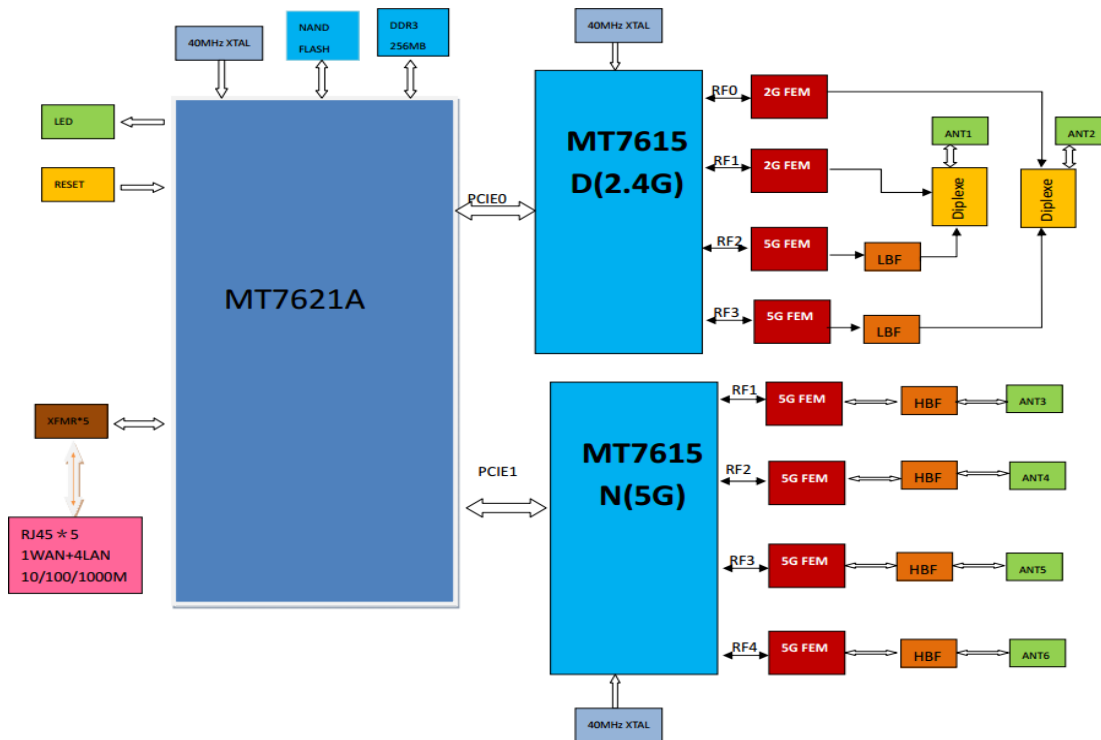


BLOCK DIAGRAM AND THEORY



The MT7621A integrates a dual-core MIPS1004Kc (880MHz), HNAT/HQoS/Samba/VPN accelerators, 5-port GbE switch, RGMII, USB3.0, USB2.0, 3xPCIe, SD-CX. The powerful CPU with rich portfolio is suitable for 802.11ac, LTE cat4/5, edge, hotspot, VPN, AC. It can also connect to touch-panel, ZigBee/Z-wave for Internet Service Router and Home Security Gateway.

The MT7615D is a highly integrated Wi-Fi single chip which supports 1266Mbps PHY rate. It fully complies with IEEE 802.11ac and 802.11a/b/g/n standards, offering feature-rich wireless connectivity at high standards, and delivering reliable, cost-effective throughput from an extended distance.

The MT7615 is a highly integrated single-chip which supports 1733Mbps PHY rate. It fully complies with IEEE 802.11ac and IEEE 802.11a/b/g/n standards, offering feature-rich wireless connectivity at high standards, and delivering reliable, cost-effective throughput from an extended distance.

This product is high power design, 2.4 and 5G external high power FEM

WIFI supports 6 antennas, two dual-band antennas and four 5G single-band antennas with an antenna gain of 5dBi.