

收件人 : ting/ccsemc  
副本抄送 : lucy\_tsai/ccsemc@ccsemc, gavin/ccsemc@ccsemc,  
chris\_hsieh/ccsemc@ccsemc  
主旨 : 回信 : FCC Equipment Authorization System

2005/01/28 12:09 PM

Dear Sir,

Please refer to below for your reply, thank you.

Best Regards,

Ting

----- 轉呈者 ting/ccsemc 於 2005/01/28 08:36 AM -----



OET Generic account 收件人 : ting@ccsemc.com.tw  
<oetech@fccsun34w.fcc.gov> 副本抄送 :  
cc.gov> 主旨 : FCC Equipment Authorization System  
2005/01/27 09:44 PM

To: Ting Lin,  
From: Stan Lyles  
Stanley.Lyles@fcc.gov  
FCC Application Processing Branch

Re: FCC ID KA2DWLAG132B1  
Applicant: D Link Corporation  
Correspondence Reference Number: 28372  
731 Confirmation Number: EA907364

1.) Please justify that SAR testing with antenna "A and B" is worst case compared to transmission from an individual antenna.

Ans. Please take a look at the attached antenna circuit in advance. Two antennas are indicated: tray of ANT1 is grounded at the end and the tray of ANT2 is split to S2 and S3 via a balanced circuit (which is the only antenna connector the EUT has). So actually the antenna "A" and "B" indicated in our test report are referred to "S2" and "S3" which can transmit at the same time. Therefore, we measured the condition of antenna "A" and "B" together as the worst case.



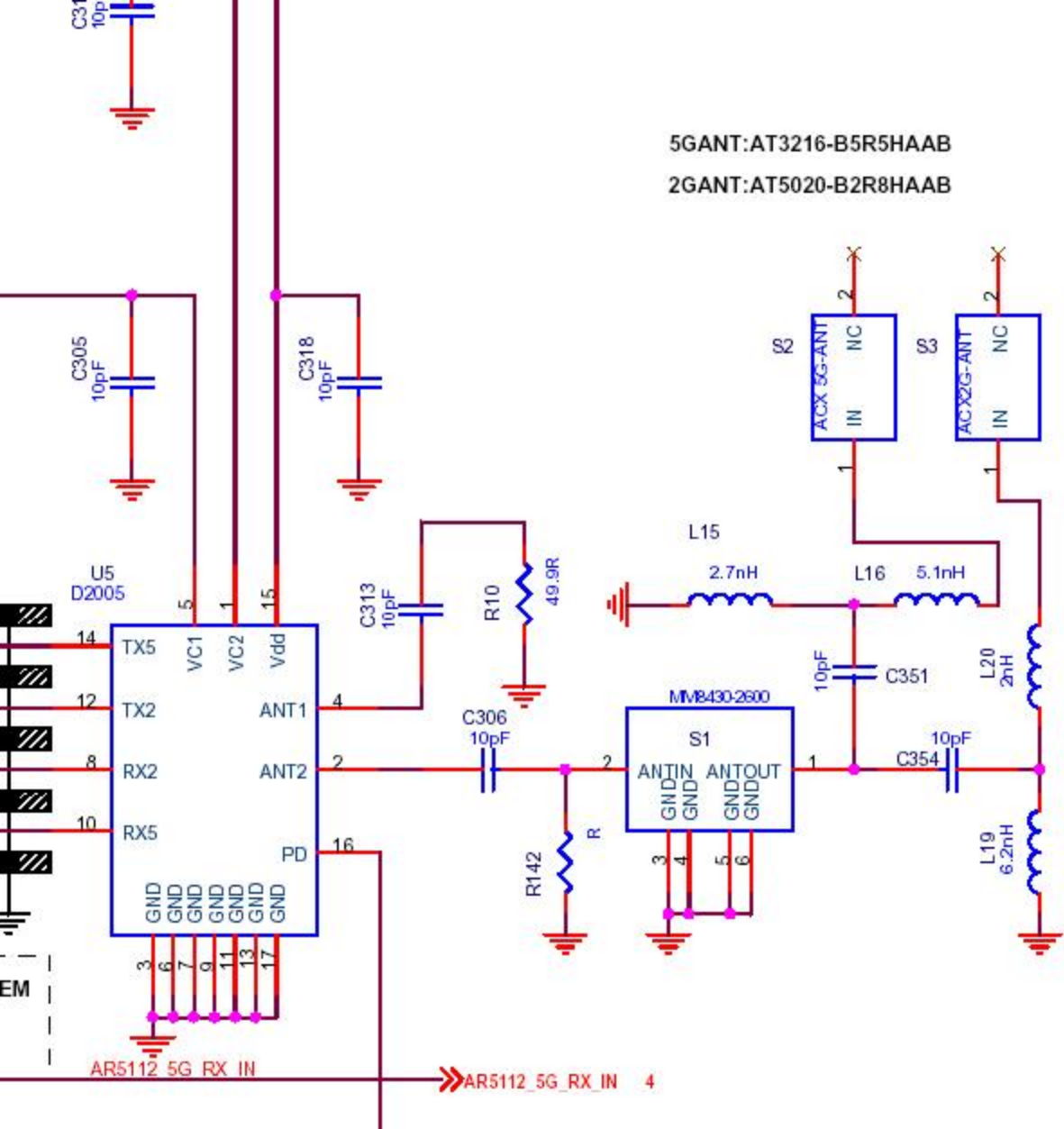
ant circuit.JPG

2.) Please update the FCC RF exposure statement in the user manual to clearly define the type of host this device has been approved for use in (i.e. laptop computers).

Ans. In the submitted user manual, page 48 of user manual of RF exposure statement, it has already indicated that this device was tested with typical lap held operations and was connected to the back side of the notebook computer. Please check again and advise if it's accepted.

5GANT:AT3216-B5R5HAAB

2GANT:AT5020-B2R8HAAB



The items indicated above must be submitted before processing can continue on the above referenced application. Failure to provide the requested information within 60 days of the original e-mail date may result in application dismissal pursuant to Section 2.917 (c) and forfeiture of the filing fee pursuant to section 1.1108.

DO NOT reply to this e-mail by using the Reply button. In order for your response to be processed expeditiously, you must upload your response via the Internet at [www.fcc.gov](http://www.fcc.gov), Electronic Filing, OET Equipment Authorization Electronic Filing. If the response is submitted through Add Attachments, in order to expedite processing, a message which informs the processing staff that a new exhibit has been submitted must also be submitted via Submit Correspondence. Also, please note that partial responses increase processing time and should not be submitted.

Any questions about the content of this correspondence should be directed to the e-mail address listed below the name of the sender.

---

This e-mail transmission is confidential and intended solely for being reviewed by the recipient(s) identified above. If you are not an identified recipient, please ensure that this communication remains confidential and promptly return it to the sender. Please contact immediately by phone (Tel: 886-2-2299-9720) for any problem with this transmission, Thank you for your attention.