



ANSI/IEEE Std. C95.1-1992

in accordance with the requirements of

FCC Report and Order: ET Docket 93-62, and OET Bulletin 65 Supplement C



FCC TEST REPORT

For

Wireless USB Adapter

Trade Name: D-Link

Model: DWL-AG132

Issued to

D-Link Corporation

**No.8, Li-shing Road VII, Science-based Industrial Park,
Hsinchu, Taiwan R.O.C.**

Issued by

Compliance Certification Services Inc.

**No. 11, Wu-Kung 6 Rd, Wu-Ku Hsiang,
Wu-Ku Industrial District, Taipei Hsien, (248) Taiwan.**

TEL: 886-2-2299-9720

FAX: 886-2-2299-9721



***Note:** This report shall not be reproduced except in full, without the written approval of Compliance Certification Services Inc. This document may be altered or revised by Compliance Certification Services Inc. personnel only, and shall be noted in the revision section of the document.*



TABLE OF CONTENTS

1. CERTIFICATE OF COMPLIANCE (SAR EVALUATION) 3

2. EUT DESCRIPTION 4

3. REQUIREMENTS FOR COMPLIANCE TESTING DEFINED BY THE FCC 5

4. DOSIMETRIC ASSESSMENT SYSTEM 5

 4.1 MEASUREMENT SYSTEM DIAGRAM..... 6

 4.2 SYSTEM COMPONENTS..... 7

5. EVALUATION PROCEDURES 10

6. MEASUREMENT UNCERTAINTY 14

7. EXPOSURE LIMIT 15

8. TYPICAL COMPOSITION OF INGREDIENTS FOR LIQUID TISSUE PHANTOMS 15

9. MEASUREMENT RESULTS 16

 9.1 SYSTEM PERFORMANCE CHECK..... 16

 9.2 TEST LIQUID CONFIRMATION..... 18

 9.3 EUT TUNE-UP PROCEDURES..... 20

 9.4 SAR MEASUREMENTS RESULTS 21

10. EUT PHOTOS..... 32

11. EQUIPMENT LIST & CALIBRATION STATUS 33

12. FACILITIES..... 34

13. REFERENCES..... 34

14. ATTACHMENTS 35



1. CERTIFICATE OF COMPLIANCE (SAR EVALUATION)

Applicant	D-Link Corporation No.8, Li-shing Road VII, Science-based Industrial Park, Hsinchu, Taiwan R.O.C.
Model Number / Trade Name	DWL-AG132 / D-Link
Date of Test	November 22 ~ 24, 2004
Device Category	PORTABLE DEVICES
Exposure Category	GENERAL POPULATION/UNCONTROLLED EXPOSURE

Test Sample is a: Production unit

Modulation type: **802.11a**
Orthogonal Frequency Division Multiplexing (OFDM)
802.11b
Direct Sequence Spread Spectrum(DSSS)
802.11g
Orthogonal Frequency Division Multiplexing (OFDM)

Tx Frequency: **802.11a:** 5180 ~ 5825 MHz
802.11b: 2412 ~ 2462 MHz
802.11g: 2412 ~ 2462 MHz

Max. O/P Power: **802.11a:** 16.14 dBm
(Conducted/Peak) **802.11b:** 17.29 dBm
802.11g: 17.28 dBm

Max. SAR (1g): **802.11a:** 0.336 W/kg
802.11b: 0.183 W/kg
802.11g: 0.143 W/kg

Application Type: Certification

FCC Rule Part(s): 15C

Note: This Report is only applicable for 802.11b/g.

This wireless portable device has been shown to be capable of compliance for localized specific absorption rate (SAR) for uncontrolled environment/general population exposure limits specified in ANSI/IEEE Std. C95.1-1992 and had been tested in accordance with the measurement procedures specified in FCC OET 65 Supplement C (released on 6/29/2001 see Test Report).

I attest to the accuracy of data. All measurements reported herein were performed by me or were made under my supervision and are correct to the best of my knowledge and belief. I assume full responsibility for the completeness of these measurements and vouch for the qualifications of all persons taking them.



Approved by:

Harris W. Lai
Executive Vice President
Compliance Certification Services Inc.

Reviewed by:

Devin Chang
Section Manager
Compliance Certification Services Inc.



2. EUT DESCRIPTION

Applicant	D-Link Corporation No.8, Li-shing Road VII, Science-based Industrial Park, Hsinchu, Taiwan R.O.C.
Model Number / Trade Name	DWL-AG132 / D-Link
Device Category	PORTABLE DEVICES
Exposure Category	GENERAL POPULATION/UNCONTROLLED EXPOSURE

Test Sample is a: Production unit

Modulation type: **802.11a**
Orthogonal Frequency Division Multiplexing (OFDM)

802.11b
Direct Sequence Spread Spectrum(DSSS)

802.11g
Orthogonal Frequency Division Multiplexing (OFDM)

Tx Frequency: **802.11a:** 5180 ~ 5825 MHz

802.11b: 2412 ~ 2462 MHz

802.11g: 2412 ~ 2462 MHz

Max. O/P Power: **802.11a:** 16.14 dBm

(Conducted/Peak) **802.11b:** 17.29 dBm

802.11g: 17.28 dBm

Max. SAR (1g): **802.11a:** 0.336 W/kg

802.11b: 0.183 W/kg

802.11g: 0.143 W/kg

Application Type: Certification

FCC Rule Part(s): 15C

Antennas: CHIP Ant.





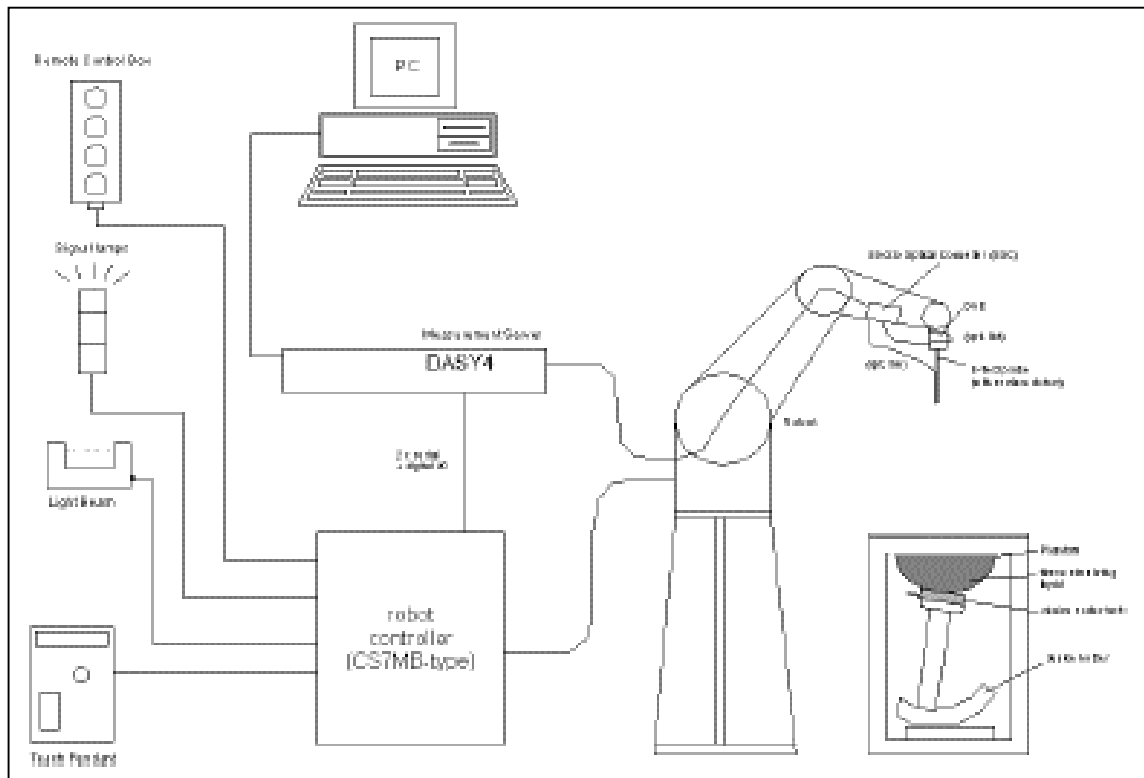
3. REQUIREMENTS FOR COMPLIANCE TESTING DEFINED BY THE FCC

The US Federal Communications Commission has released the report and order "Guidelines for Evaluating the Environmental Effects of RF Radiation", ET Docket No. 93-62 in August 1996 [1]. The order requires routine SAR evaluation prior to equipment authorization of portable transmitter devices, including portable telephones. For consumer products, the applicable limit is 1.6 mW/g for an uncontrolled environment and 8.0 mW/g for an occupational/controlled environment as recommended by the ANSI/IEEE standard C95.1-1992 [6]. According to the Supplement C of OET Bulletin 65 "Evaluating Compliance with FCC Guide-lines for Human Exposure to Radio frequency Electromagnetic Fields", released on Jun 29, 2001 by the FCC, the device should be evaluated at maximum output power (radiated from the antenna) under "worst-case" conditions for normal or intended use, incorporating normal antenna operating positions, device peak performance frequencies and positions for maximum RF energy coupling.

4. DOSIMETRIC ASSESSMENT SYSTEM

These measurements were performed with the automated near-field scanning system DASY4 from Schmid & Partner Engineering AG (SPEAG). The system is based on a high precision robot (working range greater than 0.9 m) which positions the probes with a positional repeatability of better than ± 0.02 mm. Special E- and H-field probes have been developed for measurements close to material discontinuity, the sensors of which are directly loaded with a Schottky diode and connected via highly resistive lines to the data acquisition unit. The SAR measurements were conducted with the dosimetric probe ET3DV6-SN: 1763 and EX3DV3-SN: 3519 (manufactured by SPEAG), designed in the classical triangular configuration and optimized for dosimetric evaluation. The probe has been calibrated according to the procedure with accuracy of better than $\pm 10\%$. The spherical isotropy was evaluated with the procedure and found to be better than ± 0.25 dB. The phantom used was the SAM Twin Phantom as described in FCC supplement C, IEEE P1528 and EN50361.

4.1 MEASUREMENT SYSTEM DIAGRAM



The DASY4 system for performing compliance tests consists of the following items:

- A standard high precision 6-axis robot (Stäubli RX family) with controller, teach pendant and software. An arm extension for accommodating the data acquisition electronics (DAE).
- A dosimetric probe, i.e., an isotropic E-field probe optimized and calibrated for usage in tissue simulating liquid. The probe is equipped with an optical surface detector system.
- A data acquisition electronics (DAE) which performs the signal amplification, signal multiplexing, AD-conversion, offset measurements, mechanical surface detection, collision detection, etc. The unit is battery powered with standard or rechargeable batteries. The signal is optically transmitted to the EOC.
- The Electro-optical converter (EOC) performs the conversion between optical and electrical of the signals for the digital communication to the DAE and for the analog signal from the optical surface detection. The EOC is connected to the measurement server.
- The function of the measurement server is to perform the time critical tasks such as signal filtering, control of the robot operation and fast movement interrupts.
- A probe alignment unit which improves the (absolute) accuracy of the probe positioning.
- A computer operating Windows 2000 or Windows XP.
- DASY4 software.
- Remote control with teach pendant and additional circuitry for robot safety such as warning lamps, etc.
- The SAM twin phantom enabling testing left-hand and right-hand usage.
- The device holder for handheld mobile phones.
- Tissue simulating liquid mixed according to the given recipes.
- Validation dipole kits allowing validating the proper functioning of the system.

4.2 SYSTEM COMPONENTS

DASY4 Measurement Server



The DASY4 measurement server is based on a PC/104 CPU board with a 166MHz low-power Pentium, 32MB chip disk and 64MB RAM. The necessary circuits for communication with either the DAE3 electronic box as well as the 16-bit AD-converter system for optical detection and digital I/O interface are contained on the DASY4 I/O-board, which is directly connected to the PC/104 bus of the CPU board.

The measurement server performs all real-time data evaluation for field measurements and surface detection, controls robot movements and handles safety operation.

The PC-operating system cannot interfere with these time critical processes. All connections are supervised by a watchdog, and disconnection of any of the cables to the measurement server will automatically disarm the robot and disable all program-controlled robot movements. Furthermore, the measurement server is equipped with two expansion slots which are reserved for future applications. Please note that the expansion slots do not have a standardized pinout and therefore only the expansion cards provided by SPEAG can be inserted. Expansion cards from any other supplier could seriously damage the measurement server. Calibration: No calibration required.

Data Acquisition Electronics (DAE)

The data acquisition electronics (DAE3) consists of a highly sensitive electrometer grade preamplifier with auto-zeroing, a channel and gain-switching multiplexer, a fast 16 bit AD converter and a command decoder and control logic unit. Transmission to the measurement server is accomplished through an optical downlink for data and status information as well as an optical uplink for commands and the clock. The mechanical probe mounting device includes two different sensor systems for frontal and sideways probe contacts. They are used for mechanical surface detection and probe collision detection. The input impedance of the DAE3 box is 200MOhm; the inputs are symmetrical and floating. Common mode rejection is above 80 dB.



EX3DV3 Isotropic E-Field Probe for Dosimetric Measurements

- Construction:** Symmetrical design with triangular core
Built-in optical fiber for surface detection system (EX3DV3 only)
Built-in shielding against static charges
PEEK enclosure material (resistant to organic solvents, e.g., glycoether)
- Calibration:** Basic Broad Band Calibration in air: 10-3000 MHz.
Conversion Factors (CF) for HSL 900 and HSL 1800
CF-Calibration for other liquids and frequencies upon request.
- Frequency:** 10 MHz to 6 GHz; Linearity: ± 0.2 dB (30 MHz to 3 GHz)
- Directivity:** ± 0.3 dB in HSL (rotation around probe axis)
 ± 0.5 dB in HSL (rotation normal to probe axis)
- Dynamic Range:** $8 \mu\text{W/g}$ to $> 100 \text{ mW/g}$; Linearity: ± 0.2 dB
- Optical Surface Detection:** ± 0.2 mm repeatability in air and clear liquids over diffuse reflecting surfaces (EX3DV3 only)
- Dimensions:** Overall length: 337 mm (Tip: 20 mm)
Tip diameter: 10 mm (Body: 12 mm)
Distance from probe tip to dipole centers: 1 mm
- Application:** General dosimetric measurements up to 6 GHz
Compliance tests of mobile phones
Fast automatic scanning in arbitrary phantoms (EX3DV3)



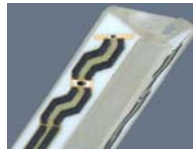
E-Field probe

Interior of probe



ET3DV6 Isotropic E-Field Probe for Dosimetric Measurements

- Construction:** Symmetrical design with triangular core
 Built-in optical fiber for surface detection system (ET3DV6 only)
 Built-in shielding against static charges
 PEEK enclosure material (resistant to organic solvents, e.g., glycoether)
- Calibration:** Basic Broad Band Calibration in air: 10-2500 MHz.
 Conversion Factors (CF) for HSL 900 and HSL 1800
 CF-Calibration for other liquids and frequencies upon request.
- Frequency:** 10 MHz to 3 GHz; Linearity: ± 0.2 dB (30 MHz to 3 GHz)
- Directivity:** ± 0.2 dB in HSL (rotation around probe axis)
 ± 0.4 dB in HSL (rotation normal to probe axis)
- Dynamic Range:** $2 \mu\text{W/g}$ to $> 100 \text{ mW/g}$; Linearity: ± 0.2 dB
- Optical Surface**
- Detection:** ± 0.2 mm repeatability in air and clear liquids over
 diffuse reflecting surfaces (ET3DV6 only)
- Dimensions:** Overall length: 330 mm (Tip: 16 mm)
 Tip diameter: 6.8 mm (Body: 12 mm)
 Distance from probe tip to dipole centers: 2.7 mm
- Application:** General dosimetric measurements up to 3 GHz
 Compliance tests of mobile phones
 Fast automatic scanning in arbitrary phantoms
 (ET3DV6)



Interior of probe



E-Field probe

SAM Phantom (V4.0)

- Construction:** The shell corresponds to the specifications of the Specific Anthropomorphic Mannequin (SAM) phantom defined in IEEE 1528-200X, CENELEC 50361 and IEC 62209. It enables the dosimetric evaluation of left and right hand phone usage as well as body mounted usage at the flat phantom region. A cover prevents evaporation of the liquid. Reference markings on the phantom allow the complete setup of all predefined phantom positions and measurement grids by manually teaching three points with the robot.
- Shell Thickness:** 2 ± 0.2 mm
- Filling Volume:** Approx. 25 liters
- Dimensions:** Height: 810mm; Length: 1000mm; Width: 500mm



Device Holder for SAM Twin Phantom

- Construction:** In combination with the Twin SAM Phantom V4.0 or Twin SAM, the Mounting Device (made from POM) enables the rotation of the mounted transmitter in spherical coordinates, whereby the rotation point is the ear opening. The devices can be easily and accurately positioned according to IEC, IEEE, CENELEC, FCC or other specifications. The device holder can be locked at different phantom locations (left head, right head, and flat phantom).





System Validation Kits

Construction: Symmetrical dipole with 1/4 balun Enables measurement of feedpoint impedance with NWA Matched for use near flat phantoms filled with brain simulating solutions Includes distance holder and tripod adaptor.

Frequency: 450, 900, 1800, 2450, 5800 MHz

Return loss: > 20 dB at specified validation position

Power capability: > 100 W ($f < 1\text{GHz}$); > 40 W ($f > 1\text{GHz}$)

Dimensions:
450V2: dipole length: 270 mm; overall height: 330 mm
D900V2: dipole length: 149 mm; overall height: 330 mm
D1800V2: dipole length: 72 mm; overall height: 300 mm
D2450V2: dipole length: 51.5 mm; overall height: 300 mm
D5GHzV2: dipole length: 25.5 mm; overall height: 290 mm





5. EVALUATION PROCEDURES

DATA EVALUATION

The DASY4 post processing software (SEMCAD) automatically executes the following procedures to calculate the field units from the microvolt readings at the probe connector. The parameters used in the evaluation are stored in the configuration modules of the software:

Probe parameters:	- Sensitivity	$Norm_i, a_{i0}, a_{i1}, a_{i2}$
	- Conversion factor	$ConvF_i$
	- Diode compression point	dcp_i
Device parameters:	- Frequency	f
	- Crest factor	cf
Media parameters:	- Conductivity	σ
	- Density	ρ

These parameters must be set correctly in the software. They can be found in the component documents or be imported into the software from the configuration files issued for the DASY components. In the direct measuring mode of the multi-meter option, the parameters of the actual system setup are used. In the scan visualization and export modes, the parameters stored in the corresponding document files are used.

The first step of the evaluation is a linearization of the filtered input signal to account for the compression characteristics of the detector diode. The compensation depends on the input signal, the diode type and the DC-transmission factor from the diode to the evaluation electronics. If the exciting field is pulsed, the crest factor of the signal must be known to correctly compensate for peak power. The formula for each channel can be given as:

$$V_i = U_i + U_i^2 \cdot \frac{cf}{dcp_i}$$

with	V_i	= Compensated signal of channel i	(i = x, y, z)
	U_i	= Input signal of channel i	(i = x, y, z)
	cf	= Crest factor of exciting field	(DASY parameter)
	dcp_i	= Diode compression point	(DASY parameter)

From the compensated input signals the primary field data for each channel can be evaluated:

$$\text{E-field probes: } E_i = \sqrt{\frac{V_i}{Norm_i \cdot ConvF}}$$

$$\text{H-field probes: } H_i = \sqrt{V_i} \cdot \frac{a_{i0} + a_{i1}f + a_{i2}f^2}{f}$$

with	V_i	= Compensated signal of channel i	(i = x, y, z)
	$Norm_i$	= Sensor sensitivity of channel i	(i = x, y, z)
		$\mu\text{V}/(\text{V/m})^2$ for E0field Probes	
	$ConvF$	= Sensitivity enhancement in solution	
	a_{ij}	= Sensor sensitivity factors for H-field probes	
	f	= Carrier frequency (GHz)	
	E_i	= Electric field strength of channel i in V/m	
	H_i	= Magnetic field strength of channel i in A/m	



The RSS value of the field components gives the total field strength (Hermitian magnitude):

$$E_{tot} = \sqrt{E_x^2 + E_y^2 + E_z^2}$$

The primary field data are used to calculate the derived field units.

$$SAR = E_{tot}^2 \cdot \frac{\sigma}{\rho \cdot 1000}$$

- with SAR = local specific absorption rate in mW/g
 E_{tot} = total field strength in V/m
 σ = conductivity in [mho/m] or [Siemens/m]
 ρ = equivalent tissue density in g/cm³

Note that the density is normally set to 1 (or 1.06), to account for actual brain density rather than the density of the simulation liquid.

The power flow density is calculated assuming the excitation field as a free space field.

$$P_{pwe} = \frac{E_{tot}^2}{3770} \quad \text{or} \quad P_{pwe} = H_{tot}^2 \cdot 37.7$$

- with P_{pwe} = Equivalent power density of a plane wave in mW/cm²
 E_{tot} = total electric field strength in V/m
 H_{tot} = total magnetic field strength in A/m



SAR MEASUREMENT PROCEDURES

The procedure for assessing the peak spatial-average SAR value consists of the following steps:

- **Power Reference Measurement**

The reference and drift jobs are useful jobs for monitoring the power drift of the device under test in the batch process. Both jobs measure the field at a specified reference position, at a selectable distance from the phantom surface. The reference position can be either the selected section's grid reference point or a user point in this section. The reference job projects the selected point onto the phantom surface, orients the probe perpendicularly to the surface, and approaches the surface using the selected detection method.

- **Area Scan**

The area scan is used as a fast scan in two dimensions to find the area of high field values, before doing a finer measurement around the hot spot. The sophisticated interpolation routines implemented in DASY4 software can find the maximum locations even in relatively coarse grids. The scan area is defined by an editable grid. This grid is anchored at the grid reference point of the selected section in the phantom. When the area scan's property sheet is brought-up, grid was at to **15 mm by 15 mm** and can be edited by a user.

- **Zoom Scan**

Zoom scans are used to assess the peak spatial SAR values within a cubic averaging volume containing 1 g and 10 g of simulated tissue. The default zoom scan measures **5x5x7**(for 2.45GHz) and **8x8x8**(for 5GHz)points within a cube whose base faces are centered around the maximum found in a preceding area scan job within the same procedure. If the preceding Area Scan job indicates more than one maximum, the number of Zoom Scans has to be enlarged accordingly (The default number inserted is 1).

- **Power Drift measurement**

The drift job measures the field at the same location as the most recent reference job within the same procedure, and with the same settings. The drift measurement gives the field difference in dB from the reading conducted within the last reference measurement. Several drift measurements are possible for one reference measurement. This allows a user to monitor the power drift of the device under test within a batch process. In the properties of the Drift job, the user can specify a limit for the drift and have DASY4 software stop the measurements if this limit is exceeded.

- **Z-Scan**

The Z Scan job measures points along a vertical straight line. The line runs along the Z-axis of a one-dimensional grid. A user can anchor the grid to the current probe location. As with any other grids, the local Z-axis of the anchor location establishes the Z-axis of the grid.



SPATIAL PEAK SAR EVALUATION

The procedure for spatial peak SAR evaluation has been implemented according to the IEEE1529 standard. It can be conducted for 1 g and 10 g.

The DASY4 system allows evaluations that combine measured data and robot positions, such as:

- maximum search
- extrapolation
- boundary correction
- peak search for averaged SAR

During a maximum search, global and local maximum searches are automatically performed in 2-D after each Area Scan measurement with at least 6 measurement points. It is based on the evaluation of the local SAR gradient calculated by the Quadratic Shepard's method. The algorithm will find the global maximum and all local maxima within -2 dB of the global maxima for all SAR distributions.

Extrapolation

Extrapolation routines are used to obtain SAR values between the lowest measurement points and the inner phantom surface. The extrapolation distance is determined by the surface detection distance and the probe sensor offset. Several measurements at different distances are necessary for the extrapolation.

Extrapolation routines require at least 10 measurement points in 3-D space. They are used in the Cube Scan to obtain SAR values between the lowest measurement points and the inner phantom surface. The routine uses the modified Quadratic Shepard's method for extrapolation. For a grid using 5x5x7 (for 2.45GHz) and 8x8x8 (for 5GHz) measurement points with 5mm resolution amounting to 343 measurement points, the uncertainty of the extrapolation routines is less than 1% for 1 g and 10 g cubes.

Boundary effect

For measurements in the immediate vicinity of a phantom surface, the field coupling effects between the probe and the boundary influence the probe characteristics. Boundary effect errors of different dosimetric probe types have been analyzed by measurements and using a numerical probe model. As expected, both methods showed an enhanced sensitivity in the immediate vicinity of the boundary. The effect strongly depends on the probe dimensions and disappears with increasing distance from the boundary. The sensitivity can be approximately given as:

$$S \approx S_o + S_b \exp\left(-\frac{z}{a}\right) \cos\left(\pi \frac{z}{\lambda}\right)$$

Since the decay of the boundary effect dominates for small probes ($a \ll \lambda$), the cos-term can be omitted. Factors S_b (parameter Alpha in the DASY4 software) and a (parameter Delta in the DASY4 software) are assessed during probe calibration and used for numerical compensation of the boundary effect. Several simulations and measurements have confirmed that the compensation is valid for different field and boundary configurations.

This simple compensation procedure can largely reduce the probe uncertainty near boundaries. It works well as long as:

- the boundary curvature is small
- the probe axis is angled less than 30° to the boundary normal
- the distance between probe and boundary is larger than 25% of the probe diameter
- the probe is symmetric (all sensors have the same offset from the probe tip)

Since all of these requirements are fulfilled in a DASY4 system, the correction of the probe boundary effect in the vicinity of the phantom surface is performed in a fully automated manner via the measurement data extraction during postprocessing.



6. MEASUREMENT UNCERTAINTY

UNCERTAINTY BUDGE ACCORDING TO IEEE P1528						
Error Description	Uncertainty Value ±%	Probability distribution	Divisor	C ₁ 1g	Standard unc.(1g) ±%	V ₁ or V _{eff}
Measurement System						
Probe calibration	±4.8	normal	1	1	±4.8	∞
Axial isotropy of probe	±4.6	rectangular	√3	(1-Cp) ^{1/2}	±1.9	∞
Sph. Isotropy of probe	±9.7	rectangular	√3	(Cp) ^{1/2}	±3.9	∞
Probe linearity	±4.5	rectangular	√3	1	±2.7	∞
Detection Limit	±0.9	rectangular	√3	1	±0.6	∞
Boundary effects	±8.5	rectangular	√3	1	±4.8	∞
Readoutelectronics	±1.0	normal	1	1	±1.0	∞
Response time	±0.9	rectangular	√3	1	±0.5	∞
Integration time	±1.2	rectangular	√3	1	±0.8	∞
Mech Constrains of robot	±0.5	rectangular	√3	1	±0.2	∞
Probe positioning	±2.7	rectangular	√3	1	±1.7	∞
Extrap. And integration	±4.0	rectangular	√3	1	±2.3	∞
RF ambient conditiona	±0.54	rectangular	√3	1	±0.43	∞
Test Sample Related						
Device positioning	±2.2	normal	1	1	±2.23	11
Device holder uncertainty	±5	normal	1	1	±5.0	7
Power drift	±5	rectangular	√3	1	±2.9	∞
Phantom and Set up						
Phantom uncertainty	±4	rectangular	√3	1	±2.3	∞
Liquid conductivity	±5	rectangular	√3	0.6	±1.7	∞
Liquid conductivity	±5	rectangular	√3	0.6	±3.5/1.7	∞
Liquid permittivity	±5	rectangular	√3	0.6	±1.7	∞
Liquid permittivity	±5	rectangular	√3	0.6	±1.7	∞
Combined Standard Uncertainty					±12.14/11.76	
Coverage Factor for 95%		kp=2				
Expanded Standard Uncertainty					±24.29/23.51	

Table: Worst-case uncertainty for DASY4 assessed according to IEEE P1528.

The budge is valid for the frequency range 300 MHz to 6G Hz and represents a worst-case analysis.



7. EXPOSURE LIMIT

(A).Limits for Occupational/Controlled Exposure (W/kg)

Whole-Body	Partial-Body	Hands, Wrists, Feet and Ankles
0.4	8.0	2.0

(B).Limits for General Population/Uncontrolled Exposure (W/kg)

Whole-Body	Partial-Body	Hands, Wrists, Feet and Ankles
0.08	1.6	4.0

NOTE: Whole-Body SAR is averaged over the entire body, partial-body SAR is averaged over any 1 gram of tissue defined as a tissue volume in the shape of a cube. SAR for hands, wrists, feet and ankles is averaged over any 10 grams of tissue defined as a tissue volume in the shape of a cube.

Population/Uncontrolled Environments:

are defined as locations where there is the exposure of individuals who have no knowledge or control of their exposure.

Occupational/Controlled Environments:

are defined as locations where there is exposure that may be incurred by people who are aware of the potential for exposure, (i.e. as a result of employment or occupation).

NOTE
GENERAL POPULATION/UNCONTROLLED EXPOSURE
PARTIAL BODY LIMIT
1.6 W/kg

8. TYPICAL COMPOSITION OF INGREDIENTS FOR LIQUID TISSUE PHANTOMS

The following tissue formulations are provided for reference only as some of the parameters have not been thoroughly verified. The composition of ingredients may be modified accordingly to achieve the desired target tissue parameters required for routine SAR evaluation.

Ingredients (% by weight)	Frequency (MHz)									
	450		835		915		1900		2450	
Tissue Type	Head	Body	Head	Body	Head	Body	Head	Body	Head	Body
Water	38.56	51.16	41.45	52.4	41.05	56.0	54.9	40.4	62.7	73.2
Salt (NaCl)	3.95	1.49	1.45	1.4	1.35	0.76	0.18	0.5	0.5	0.04
Sugar	56.32	46.78	56.0	45.0	56.5	41.76	0.0	58.0	0.0	0.0
HEC	0.98	0.52	1.0	1.0	1.0	1.21	0.0	1.0	0.0	0.0
Bactericide	0.19	0.05	0.1	0.1	0.1	0.27	0.0	0.1	0.0	0.0
Triton X-100	0.0	0.0	0.0	0.0	0.0	0.0	0.0	0.0	36.8	0.0
DGBE	0.0	0.0	0.0	0.0	0.0	0.0	44.92	0.0	0.0	26.7
Dielectric Constant	43.42	58.0	42.54	56.1	42.0	56.8	39.9	54.0	39.8	52.5
Conductivity (S/m)	0.85	0.83	0.91	0.95	1.0	1.07	1.42	1.45	1.88	1.78

Salt: 99+% Pure Sodium Chloride

Sugar: 98+% Pure Sucrose

Water: De-ionized, 16 MΩ+ resistivity

HEC: Hydroxyethyl Cellulose

DGBE: 99+% Di(ethylene glycol) butyl ether, [2-(2-butoxyethoxy)ethanol]

Triton X-100 (ultra pure): Polyethylene glycol mono [4-(1, 1, 3, 3-tetramethylbutyl)phenyl]ether



9. MEASUREMENT RESULTS

9.1 SYSTEM PERFORMANCE CHECK

The system performance check is performed prior to any usage of the system in order to guarantee reproducible results. The system performance check verifies that the system operates within its specifications. The system performance check results are tabulated below. And also the corresponding SAR plot is attached as well in the SAR plots files.

SYSTEM PERFORMANCE CHECK MEASUREMENT CONDITIONS

- The measurements were performed in the flat section of the SAM twin phantom filled with Body simulating liquid of the following parameters.
- The DASY4 system with an E-field probe ET3DV6 SN: 1763 and EX3DV3-SN: 3519 was used for the measurements.
- The dipole was mounted on the small tripod so that the dipole feed point was positioned below the center marking of the flat phantom section and the dipole was oriented parallel to the body axis (the long side of the phantom). The standard measuring distance was 10 mm (above 1 GHz) from dipole center to the simulating liquid surface.
- The coarse grid with a grid spacing of 10mm was aligned with the dipole.
- Special 5x5x7 fine cube was chosen for cube integration (dx=dy= 7.5 mm, dz= 3 mm) and 8x8x8 fine cube was chosen for cube integration (dx=dy= 4.3 mm, dz= 3 mm).
- Distance between probe sensors and phantom surface was set to 3.0 mm.
- The dipole input power (forward power) was 250 mW±3%.
- The results are normalized to 1 W input power.

Reference SAR values

The reference SAR values were using measurement results indicated in the dipole calibration document (see table below)

Frequency (MHz)	1g SAR	10g SAR	Local SAR at Surface (Above Feed Point)	Local SAR at Surface (y = 2cm offset from feed point)
900	10.3	6.57	16.4	5.4
1800	38.2	20.3	69.5	6.8
2450(Body)	53.2	24.3	104.2	7.7

SYSTEM PERFORMANCE CHECK RESULTS

Dipole: D2450V2 SN: 728

Date: Nov. 22, 2004

Ambient condition: Temperature 24.5°C; Relative humidity: 56%

Body Simulating Liquid			Parameters	Target	Measured	Deviation[%]	Limited[%]
f(MHz)	Temp. [°C]	Depth [cm]					
2450.00	23.50	15.00	Permittivity:	52.70	50.80	-3.61	± 5
			Conductivity:	1.95	1.98	1.54	± 5
			1g SAR:	53.60	54.00	0.75	± 5



Dipole: D5GMHz SN:1004

Date: Nov. 24, 2004

Ambient condition: Temperature 25.2°C; Relative humidity: 53%

Body Simulating Liquid			Parameters	Target	Measured	Deviation[%]	Limited[%]
f(MHz)	Temp. [°C]	Depth [cm]					
5200.00	24.20	15.00	Permittivity:	49.02	47.13	-3.86	± 5
			Conductivity:	5.29	5.45	2.97	± 5
			1 g SAR:	84.00	84.00	0.00	± 5

Dipole: D5GMHz SN:1004

Date: Nov. 24, 2004

Ambient condition: Temperature 25.2°C; Relative humidity: 53%

Body Simulating Liquid			Parameters	Target	Measured	Deviation[%]	Limited[%]
f(MHz)	Temp. [°C]	Depth [cm]					
5800.00	24.20	15.00	Permittivity:	48.20	45.89	-4.79	± 5
			Conductivity:	6.00	6.26	4.33	± 5
			1 g SAR:	80.00	78.80	-1.50	± 5



9.2 TEST LIQUID CONFIRMATION

SIMULATING LIQUIDS PARAMETER CHECK

The simulating liquids should be checked at the beginning of a series of SAR measurements to determine if the dielectric parameters are within the tolerances of the specified target values

The relative permittivity and conductivity of the tissue material should be within $\pm 5\%$ of the values given in the table below. 5% may not be easily achieved at certain frequencies. Under such circumstances, 10% tolerance may be used until more precise tissue recipes are available

IEEE SCC-34/SC-2 P1528 RECOMMENDED TISSUE DIELECTRIC PARAMETERS

The head tissue dielectric parameters recommended by the IEEE SCC-34/SC-2 in P1528 have been incorporated in the following table. These head parameters are derived from planar layer models simulating the highest expected SAR for the dielectric properties and tissue thickness variations in a human head. Other head and body tissue parameters that have not been specified in P1528 are derived from the tissue dielectric parameters computed from the 4-Cole-Cole equations and extrapolated according to the head parameters specified in P1528

Target Frequency (MHz)	Head		Body	
	ϵ_r	σ (S/m)	ϵ_r	σ (S/m)
150	52.3	0.76	61.9	0.80
300	45.3	0.87	58.2	0.92
450	43.5	0.87	56.7	0.94
835	41.5	0.90	55.2	0.97
900	41.5	0.97	55.0	1.05
915	41.5	0.98	55.0	1.06
1450	40.5	1.20	54.0	1.30
1610	40.3	1.29	53.8	1.40
1800-2000	40.0	1.40	53.3	1.52
2450	39.2	1.80	52.7	1.95
3000	38.5	2.40	52.0	2.73
5800	45.3	5.27	48.2	6.00

SIMULATING LIQUIDS PARAMETER CHECK RESULTS

Ambient condition: Temperature: 24.5°C; Relative humidity: 56%

Date: Nov. 22, 2004

Body Simulating Liquid			Parameters	Target	Measured	Deviation[%]	Limited[%]
f (MHz)	Temp. [°C]	Depth (cm)					
2450.00	23.50	15.00	Permittivity:	52.70	50.80	-3.61	± 5
			Conductivity:	1.95	1.98	1.54	± 5



Ambient condition: Temperature: 25.2°C; Relative humidity: 53%

Date: Nov. 24, 2004

Body Simulating Liquid			Parameters	Target	Measured	Deviation[%]	Limited[%]
f (MHz)	Temp. [°C]	Depth (cm)					
5200.00	24.20	15.00	Permittivity:	49.02	47.13	-3.86	± 5
			Conductivity:	5.29	5.45	2.97	± 5

Ambient condition: Temperature: 25.2°C; Relative humidity: 53%

Date: Nov. 24, 2004

Body Simulating Liquid			Parameters	Target	Measured	Deviation[%]	Limited[%]
f (MHz)	Temp. [°C]	Depth (cm)					
5800.00	24.20	15.00	Permittivity:	48.20	45.89	-4.79	± 5
			Conductivity:	6.00	6.26	4.33	± 5



9.3 EUT TUNE-UP PROCEDURES

The following procedure had been used to prepare the EUT for the SAR test.

- The client supplied a special driver to program the EUT, allowing it to continually transmit the specified maximum power and change the channel frequency.
- The conducted power was measured at the high, middle and low channel frequency before and after the SAR measurement.
- The output power(dBm) we measured before SAR test in different transition rate and channel

IEEE802.11a:

CH(Frequency) \ Rate	6M	54M
36(5180 MHz)	14.50	14.25
52(5260 MHz)	16.14	15.97
64(5320 MHz)	14.64	14.40
149(5745 MHz)	16.03	15.79
157(5785 MHz)	15.66	15.40
165(5825 MHz)	16.03	15.76

IEEE802.11b:

CH(Frequency) \ Rate	1M	11M
1(2412 MHz)	17.10	17.24
6(2437 MHz)	17.07	17.29
11(2462 MHz)	17.12	17.28

IEEE802.11g:

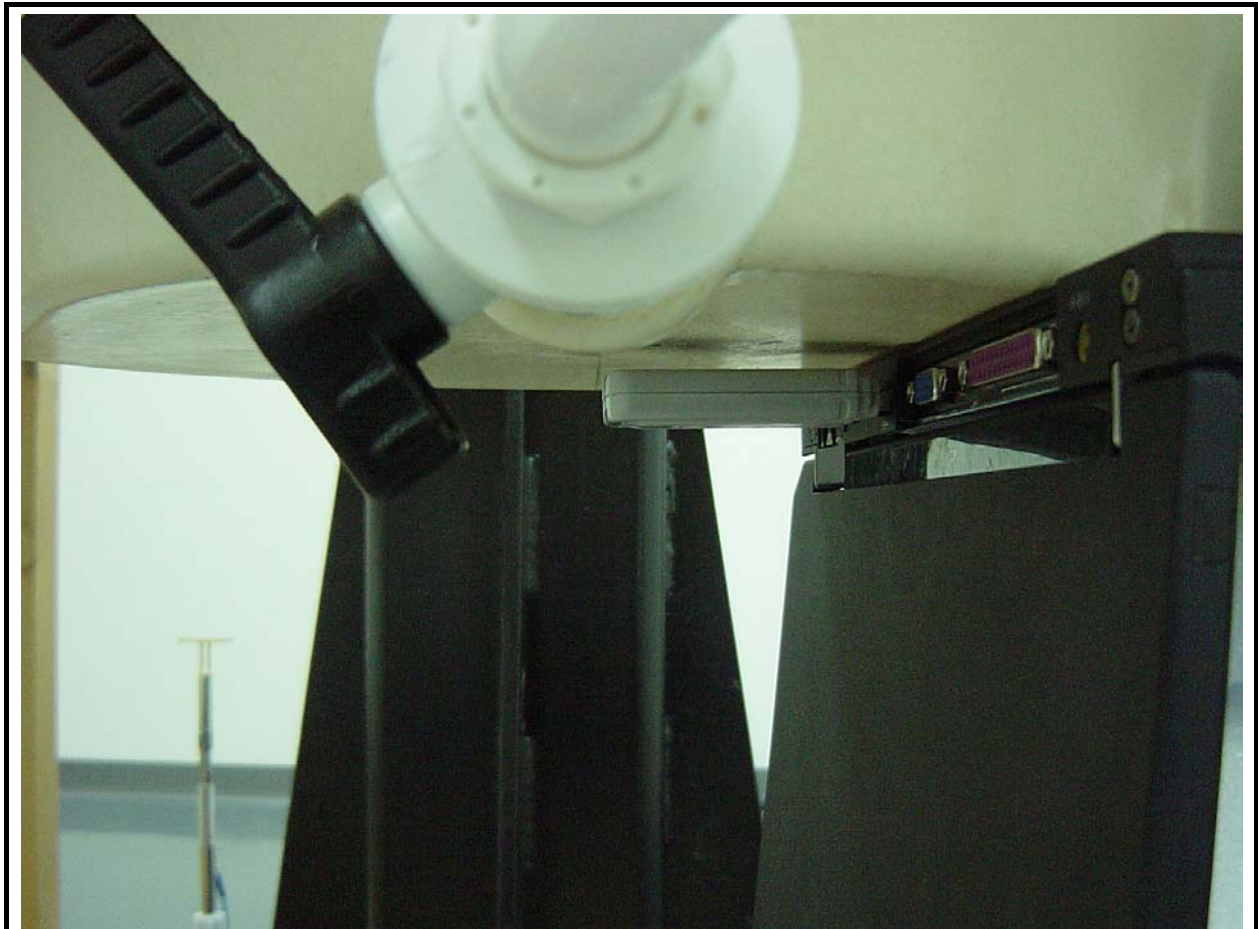
CH(Frequency) \ Rate	6M	54M
1(2412 MHz)	17.18	16.89
6(2437 MHz)	17.28	16.99
11(2462 MHz)	17.24	16.96

TURBO MODE:

CH(Frequency) \ Rate	12M	108M
6(2437 MHz)	17.09	16.86
50(5250 MHz)	15.96	15.77
160(5800 MHz)	16.09	15.88

9.4 SAR MEASUREMENTS RESULTS

Test Configuration-1



802.11b (DSSS): Duty Cycle =100 %, Crest Factor: 1,Rate=1M Depth of liquid: 15.0 cm

Sep. [mm]	Antenna	Channel	Frequency [MHz]	*Conducted Power dBm		Liquid Temp [°C]	SAR (W/kg)	Limit (W/kg)
				Before	After			
0	A and B	6	2437	17.07	17.03	23.5	0.164	1.6

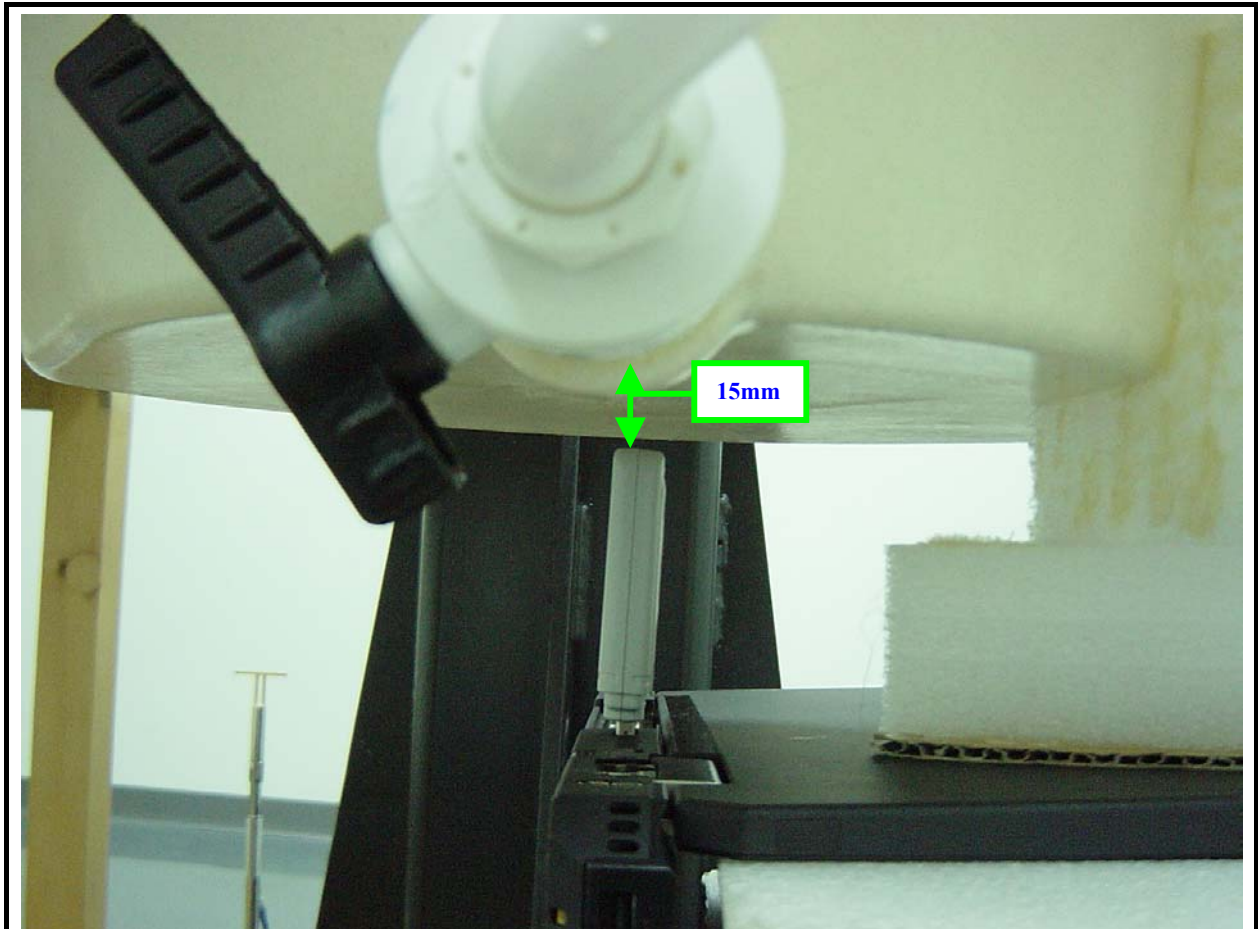
802.11b (DSSS): Duty Cycle =100 %, Crest Factor: 1,Rate=11M Depth of liquid: 15.0 cm

Sep. [mm]	Antenna	Channel	Frequency [MHz]	*Conducted Power dBm		Liquid Temp [°C]	SAR (W/kg)	Limit (W/kg)
				Before	After			
0	A and B	6	2437	17.29	17.26	23.5	0.183	1.6

Notes:

1. *: Peak power.
2. Bottom face in parallel with flat phantom.
3. See attachment for the result presentation in plot format.

Test Configuration-2



802.11b (DSSS): Duty Cycle = 100 %, Crest Factor: 1,Rate=1M Depth of liquid: 15.0 cm

Sep. [mm]	Antenna	Channel	Frequency [MHz]	*Conducted Power dBm		Liquid Temp [°C]	SAR (W/kg)	Limit (W/kg)
				Before	After			
15	A and B	6	2437	17.06	17.05	23.5	0.011	1.6

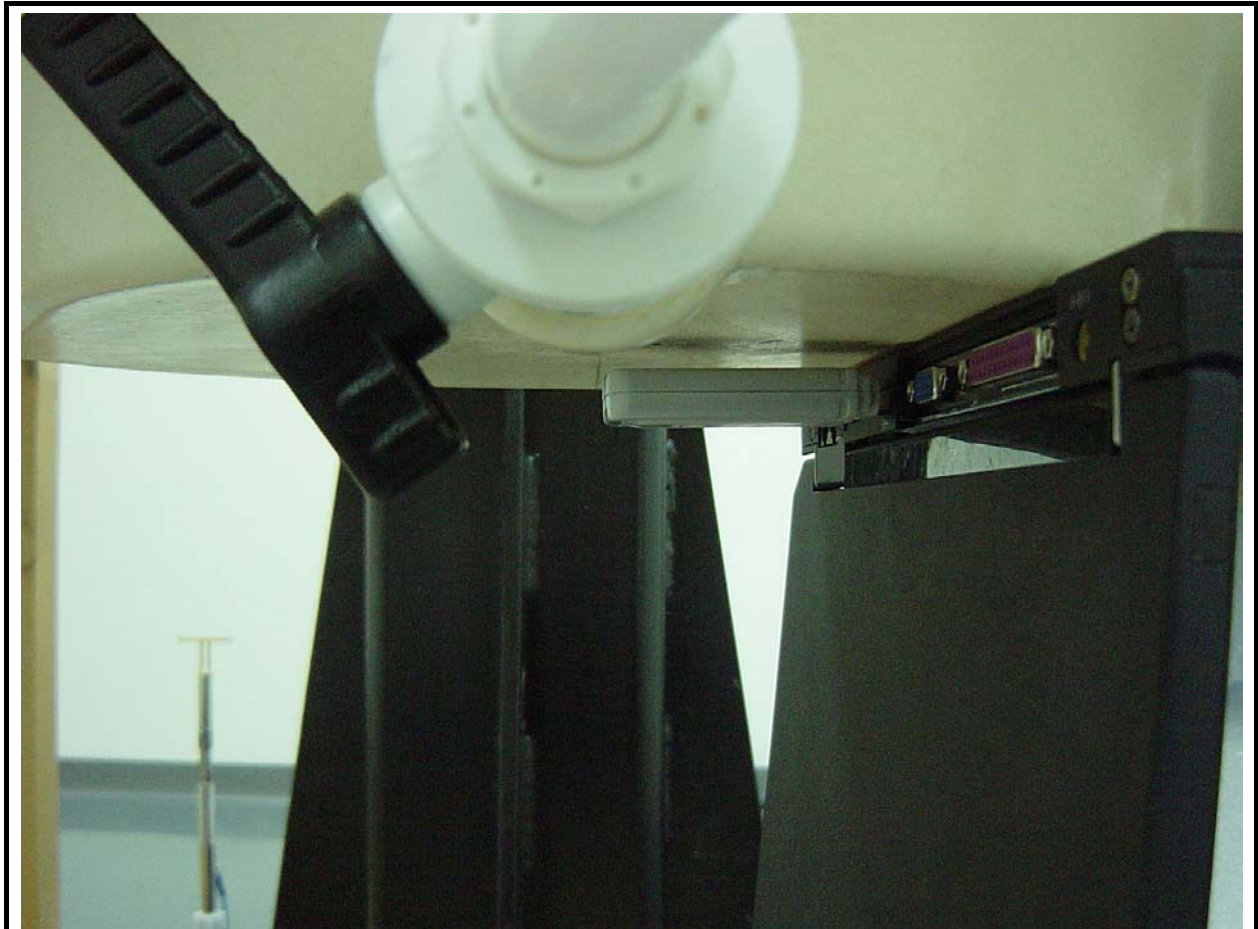
802.11b (DSSS): Duty Cycle = 100 %, Crest Factor: 1,Rate=11M Depth of liquid: 15.0 cm

Sep. [mm]	Antenna	Channel	Frequency [MHz]	*Conducted Power dBm		Liquid Temp [°C]	SAR (W/kg)	Limit (W/kg)
				Before	After			
15	A and B	6	2437	17.26	17.22	23.5	0.022	1.6

Notes:

1. *: Peak power.
2. Host device perpendicular to flat phantom.
3. See attachment for the result presentation in plot format.

Test Configuration-1



802.11g (OFDM): Duty Cycle =100 %, Crest Factor: 1,Rate=6M Depth of liquid: 15.0 cm

Sep. [mm]	Antenna	Channel	Frequency [MHz]	*Conducted Power dBm		Liquid Temp [°C]	SAR (W/kg)	Limit (W/kg)
				Before	After			
0	A and B	6	2437	17.28	17.25	23.5	0.084	1.6

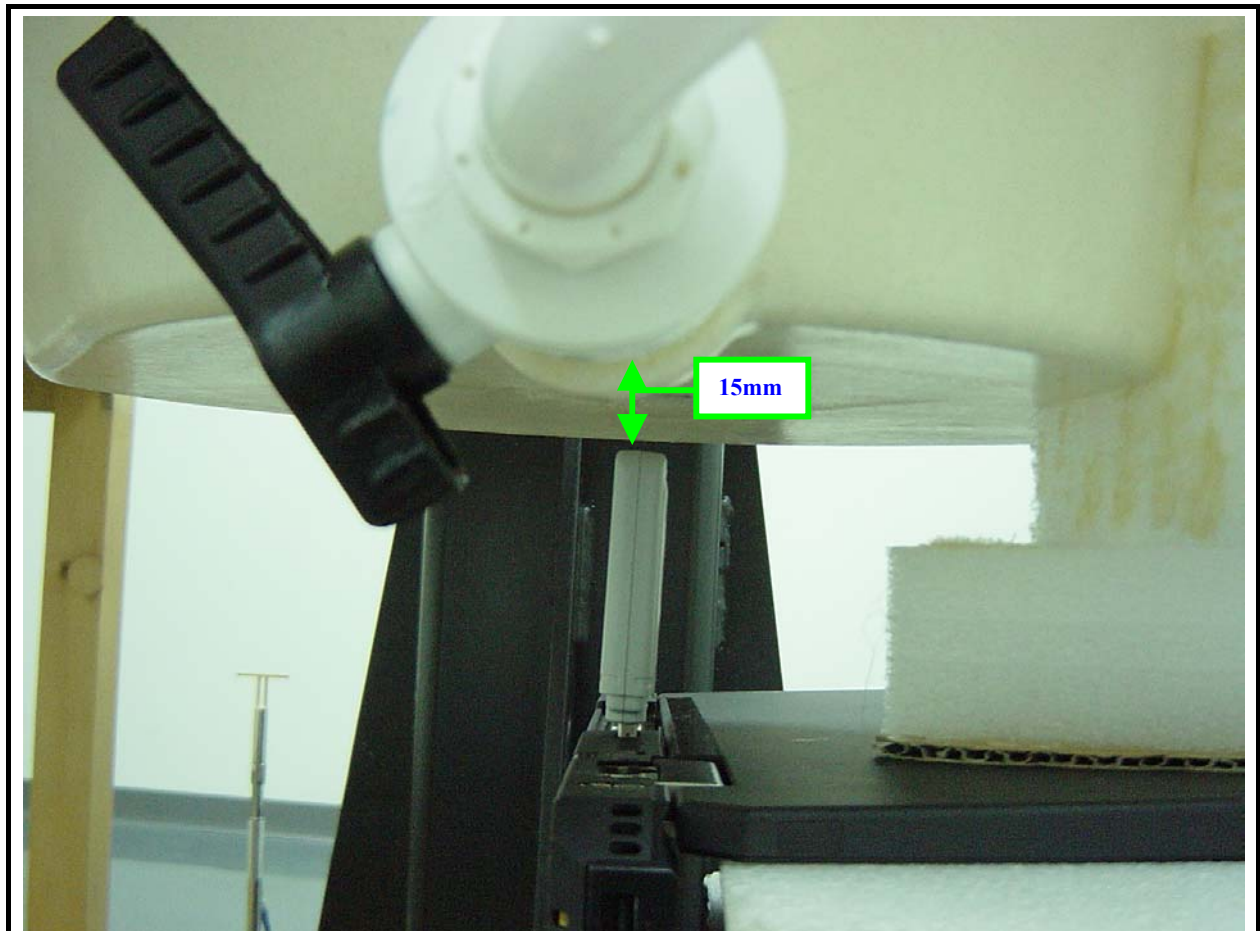
802.11g (OFDM): Duty Cycle =100 %, Crest Factor: 1,Rate=54M Depth of liquid: 15.0 cm

Sep. [mm]	Antenna	Channel	Frequency [MHz]	*Conducted Power dBm		Liquid Temp [°C]	SAR (W/kg)	Limit (W/kg)
				Before	After			
0	A and B	6	2437	16.99	16.96	23.5	0.119	1.6

Notes:

1. *: Peak power.
2. Bottom face in parallel with flat phantom.
3. See attachment for the result presentation in plot format.

Test Configuration-2



802.11g (OFDM): Duty Cycle = 100 %, Crest Factor: 1, Rate=6M Depth of liquid: 15.0 cm

Sep. [mm]	Antenna	Channel	Frequency [MHz]	*Conducted Power dBm		Liquid Temp [°C]	SAR (W/kg)	Limit (W/kg)
				Before	After			
15	A and B	6	2437	17.27	17.24	23.5	0.00703	1.6

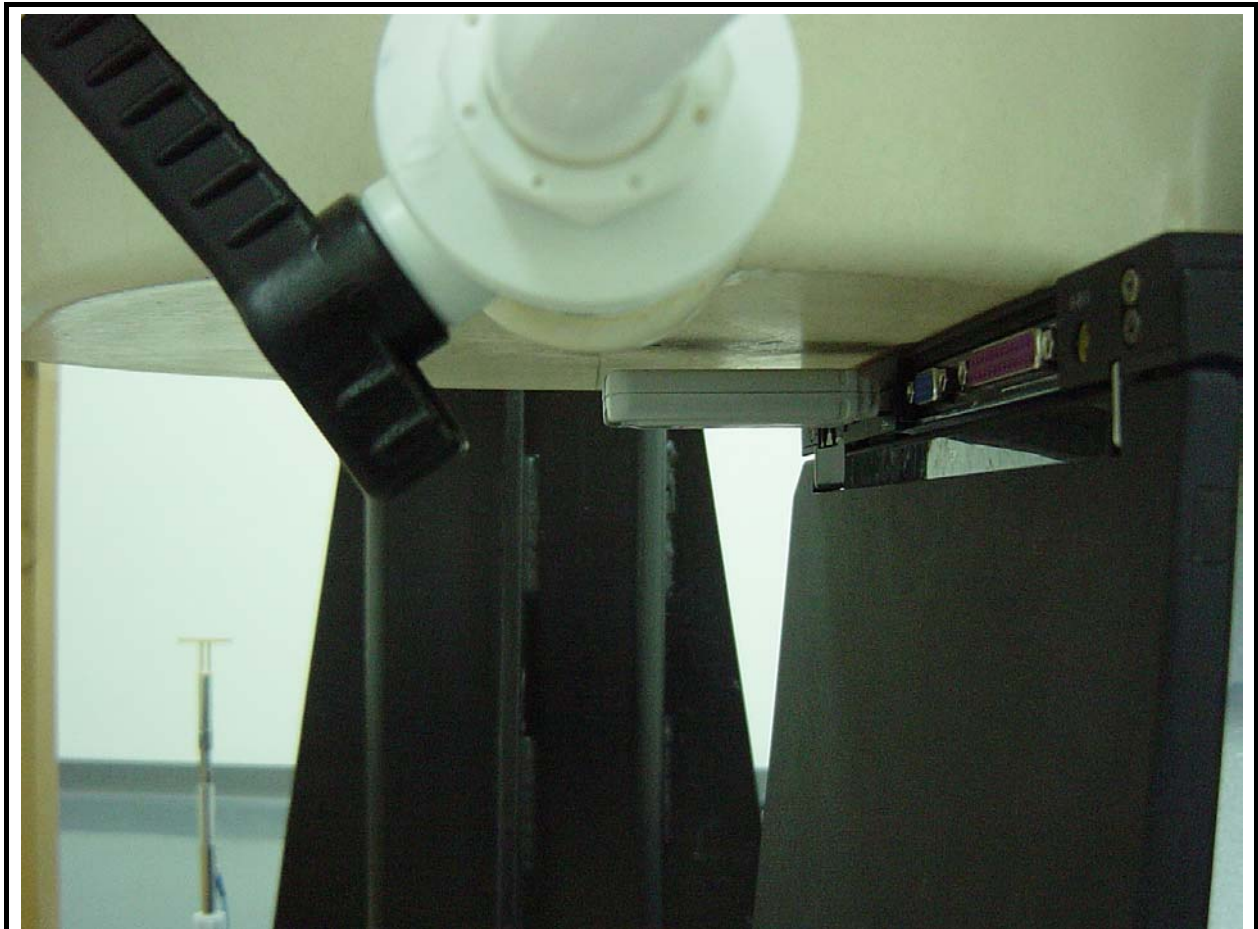
802.11g (OFDM): Duty Cycle = 100 %, Crest Factor: 1, Rate=54M Depth of liquid: 15.0 cm

Sep. [mm]	Antenna	Channel	Frequency [MHz]	*Conducted Power dBm		Liquid Temp [°C]	SAR (W/kg)	Limit (W/kg)
				Before	After			
15	A and B	6	2437	16.97	16.94	23.5	0.0128	1.6

Notes:

1. *: Peak power.
2. Host device perpendicular to flat phantom.
3. See attachment for the result presentation in plot format.

Test Configuration-1



802.11g (OFDM): Duty Cycle =100 %, Crest Factor: 1,Rate=12M Depth of liquid: 15.0 cm

Sep. [mm]	Antenna	Channel	Frequency [MHz]	*Conducted Power dBm		Liquid Temp [°C]	SAR (W/kg)	Limit (W/kg)
				Before	After			
0	A and B	6	2437	17.09	17.07	23.5	0.143	1.6

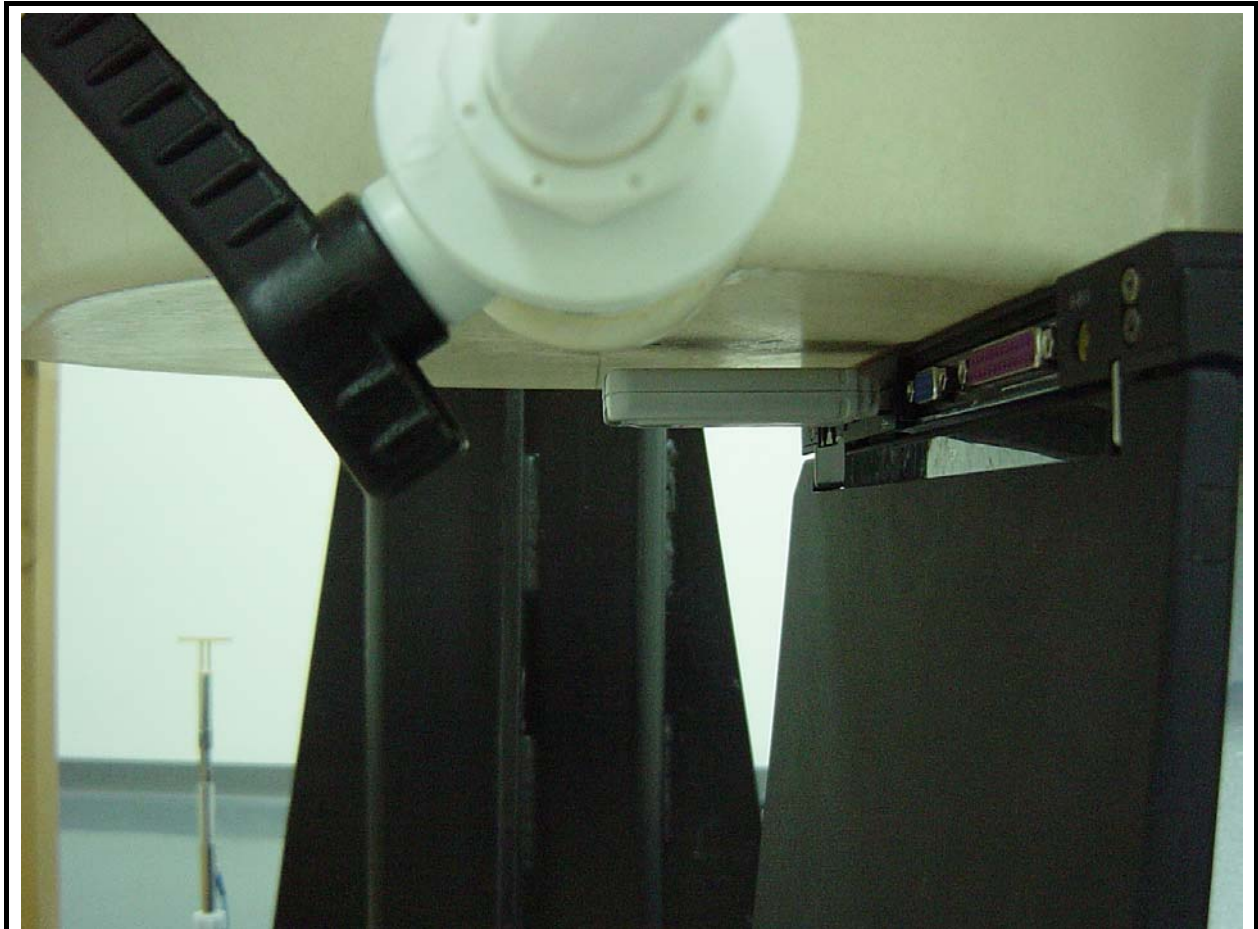
802.11g (OFDM): Duty Cycle =100 %, Crest Factor: 1,Rate=108M Depth of liquid: 15.0 cm

Sep. [mm]	Antenna	Channel	Frequency [MHz]	*Conducted Power dBm		Liquid Temp [°C]	SAR (W/kg)	Limit (W/kg)
				Before	After			
0	A and B	6	2437	16.86	16.85	23.5	0.0739	1.6

Notes:

1. *: Peak power.
2. Bottom face in parallel with flat phantom.
3. See attachment for the result presentation in plot format.

Test Configuration-1



802.11a (OFDM): Duty Cycle =100 %, Crest Factor: 1, Rate=6M. Depth of liquid: 15.0 cm

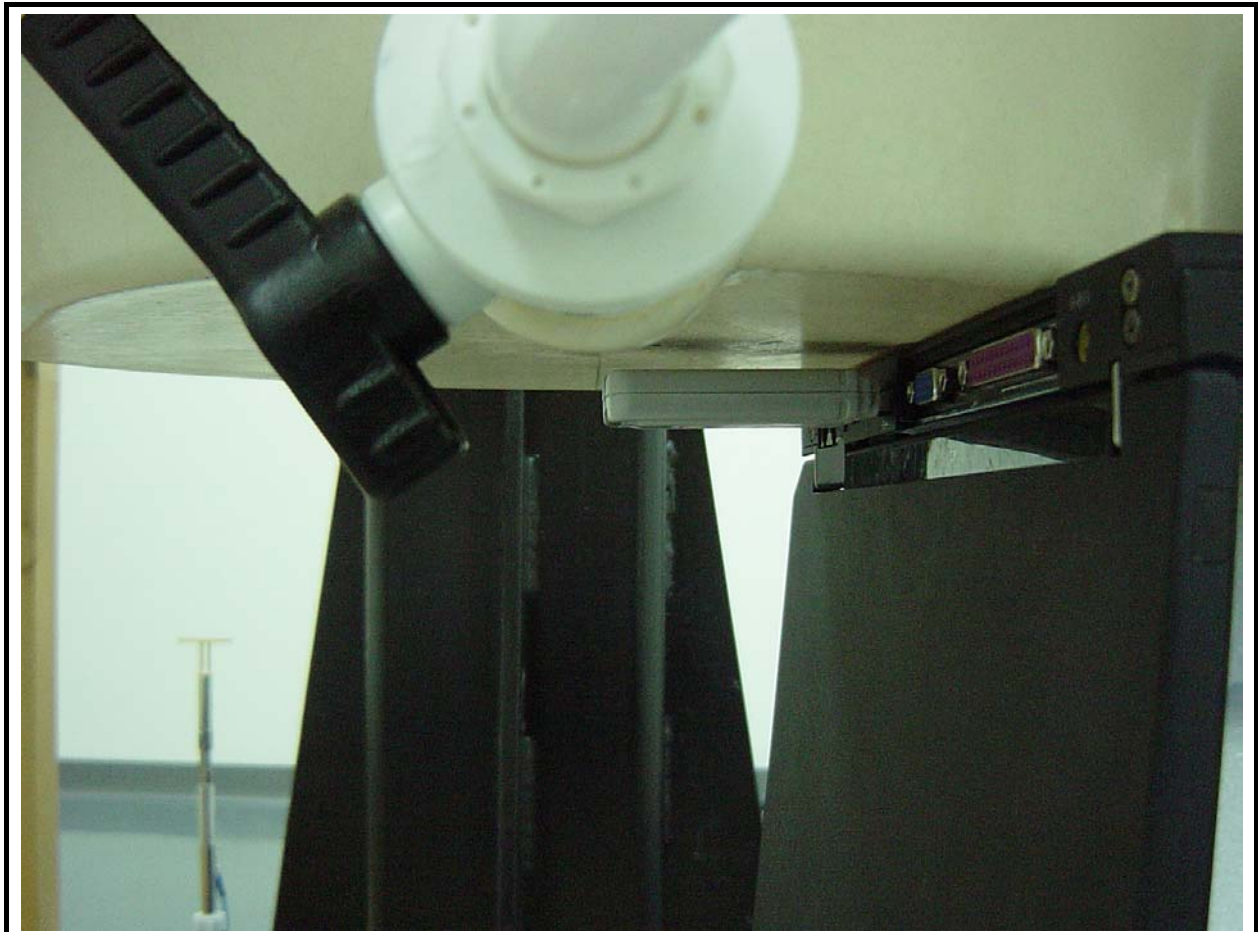
Sep. [mm]	Antenna	Channel	Frequency [MHz]	*Conducted Power dBm		Liquid Temp [°C]	SAR (W/kg)	Limit (W/kg)
				Before	After			
0mm	A and B	52	5260	16.14	16.11	24.2	0.155	1.6

802.11a (OFDM): Duty Cycle =100 %, Crest Factor: 1, Rate=54M. Depth of liquid: 15.0 cm

Sep. [mm]	Antenna	Channel	Frequency [MHz]	*Conducted Power dBm		Liquid Temp [°C]	SAR (W/kg)	Limit (W/kg)
				Before	After			
0mm	A and B	52	5260	15.97	15.94	24.2	0.157	1.6

- Notes: 1. *: Peak power.
 2. Bottom face in parallel with flat phantom.
 3. See attachment for the result presentation in plot format.

Test Configuration-1



802.11a (OFDM): Duty Cycle =100 %, Crest Factor: 1, Rate=12M. Depth of liquid: 15.0 cm

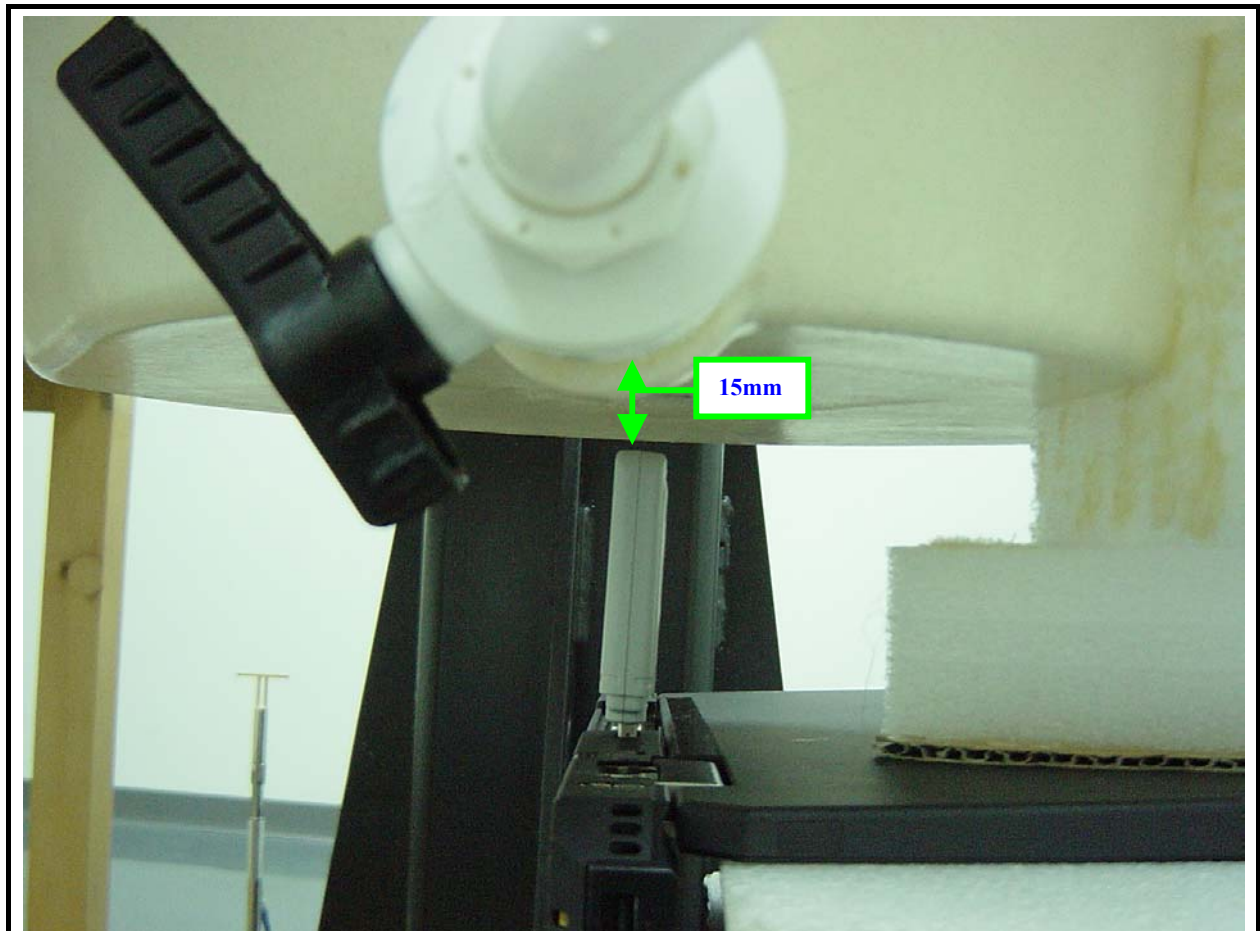
Sep. [mm]	Antenna	Channel	Frequency [MHz]	*Conducted Power dBm		Liquid Temp [°C]	SAR (W/kg)	Limit (W/kg)
				Before	After			
0mm	A and B	50	5250	15.96	15.93	24.2	0.185	1.6

802.11a (OFDM): Duty Cycle =100 %, Crest Factor: 1, Rate=108M. Depth of liquid: 15.0 cm

Sep. [mm]	Antenna	Channel	Frequency [MHz]	*Conducted Power dBm		Liquid Temp [°C]	SAR (W/kg)	Limit (W/kg)
				Before	After			
0mm	A and B	50	5250	15.77	15.74	24.2	0.144	1.6

- Notes: 1. *: Peak power.
 2. Bottom face in parallel with flat phantom.
 3. See attachment for the result presentation in plot format.

Test Configuration-2



802.11a (OFDM): Duty Cycle =100 %, Crest Factor: 1, Rate=6M. Depth of liquid: 15.0 cm

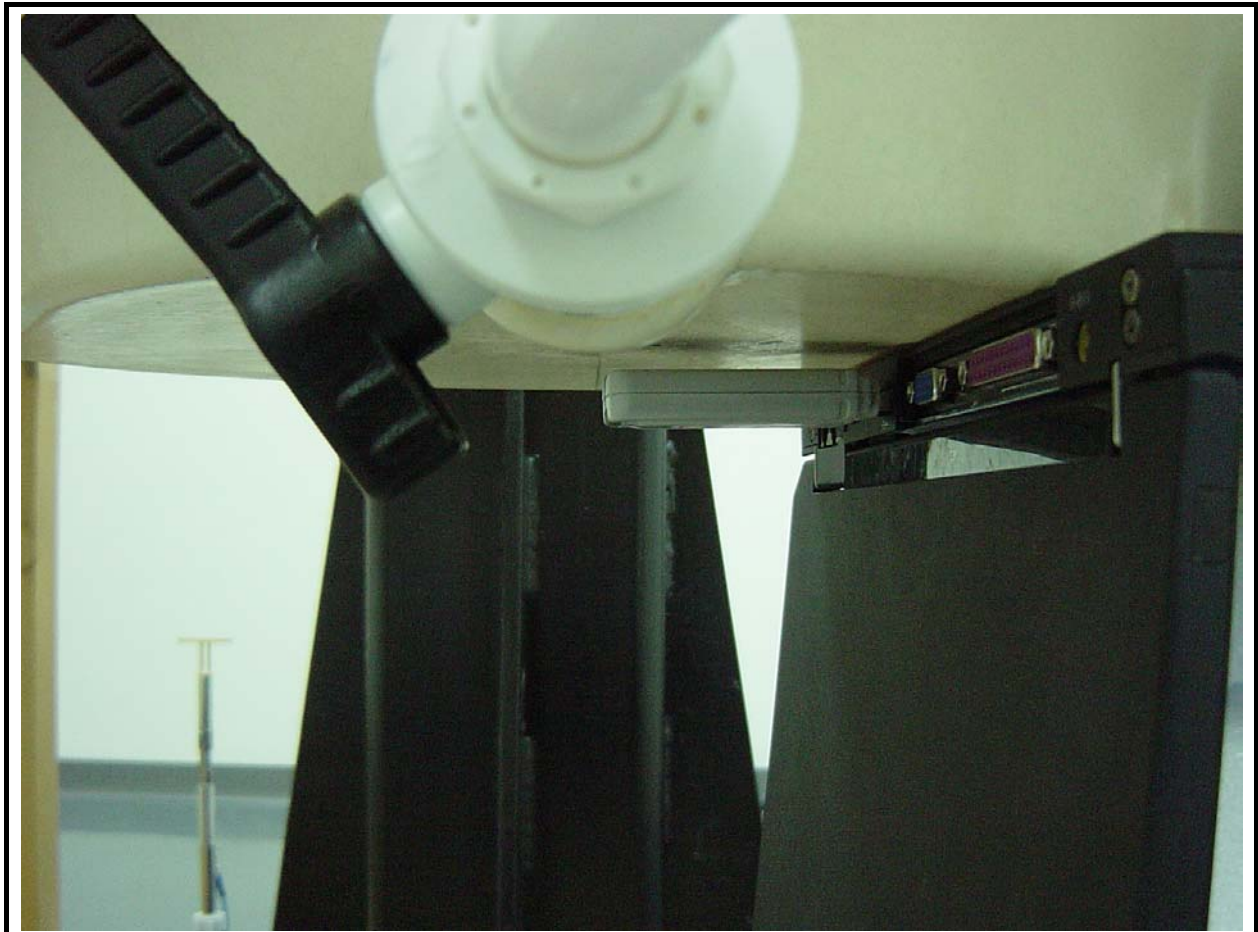
Sep. [mm]	Antenna	Channel	Frequency [MHz]	*Conducted Power dBm		Liquid Temp [°C]	SAR (W/kg)	Limit (W/kg)
				Before	After			
15mm	A and B	52	5260	16.13	16.10	24.2	0.096	1.6

802.11a (OFDM): Duty Cycle =100 %, Crest Factor: 1, Rate=54M. Depth of liquid: 15.0 cm

Sep. [mm]	Antenna	Channel	Frequency [MHz]	*Conducted Power dBm		Liquid Temp [°C]	SAR (W/kg)	Limit (W/kg)
				Before	After			
15mm	A and B	52	5260	15.96	15.93	24.2	0.110	1.6

- Notes: 1. *: Peak power.
 2. Host device perpendicular to flat phantom.
 3. See attachment for the result presentation in plot format.

Test Configuration-1



802.11a (OFDM): Duty Cycle =100 %, Crest Factor: 1, Rate=6M. Depth of liquid: 15.0 cm

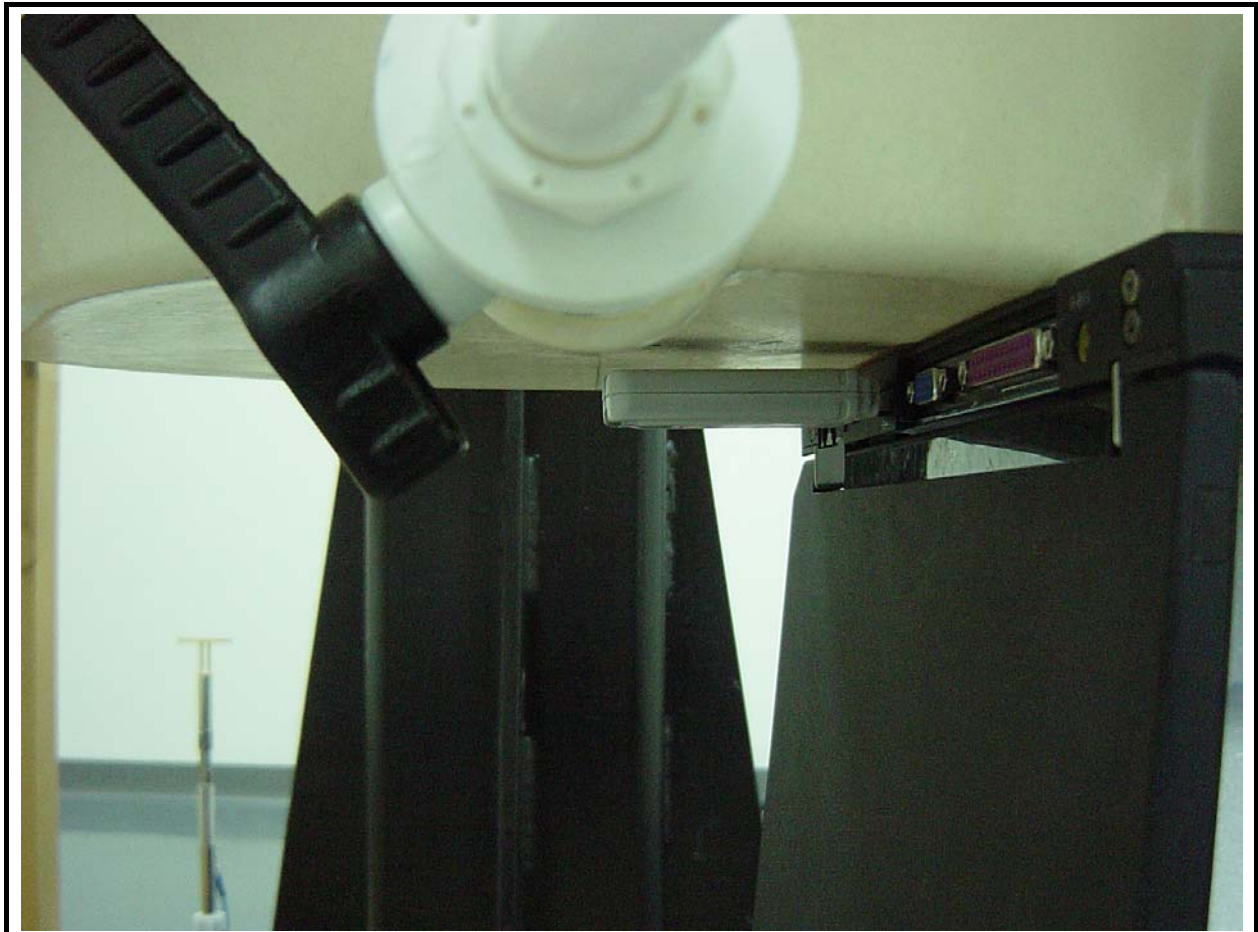
Sep. [mm]	Antenna	Channel	Frequency [MHz]	*Conducted Power dBm		Liquid Temp [°C]	SAR (W/kg)	Limit (W/kg)
				Before	After			
0mm	A and B	157	5785	15.66	15.63	24.2	0.282	1.6

802.11a (OFDM): Duty Cycle =100 %, Crest Factor: 1, Rate=54M. Depth of liquid: 15.0 cm

Sep. [mm]	Antenna	Channel	Frequency [MHz]	*Conducted Power dBm		Liquid Temp [°C]	SAR (W/kg)	Limit (W/kg)
				Before	After			
0mm	A and B	157	5785	15.40	15.37	24.2	0.144	1.6

- Notes: 1. *: Peak power.
 2. Bottom face in parallel with flat phantom.
 3. See attachment for the result presentation in plot format.

Test Configuration-1



802.11a (OFDM): Duty Cycle =100 %, Crest Factor: 1, Rate=12M. Depth of liquid: 15.0 cm

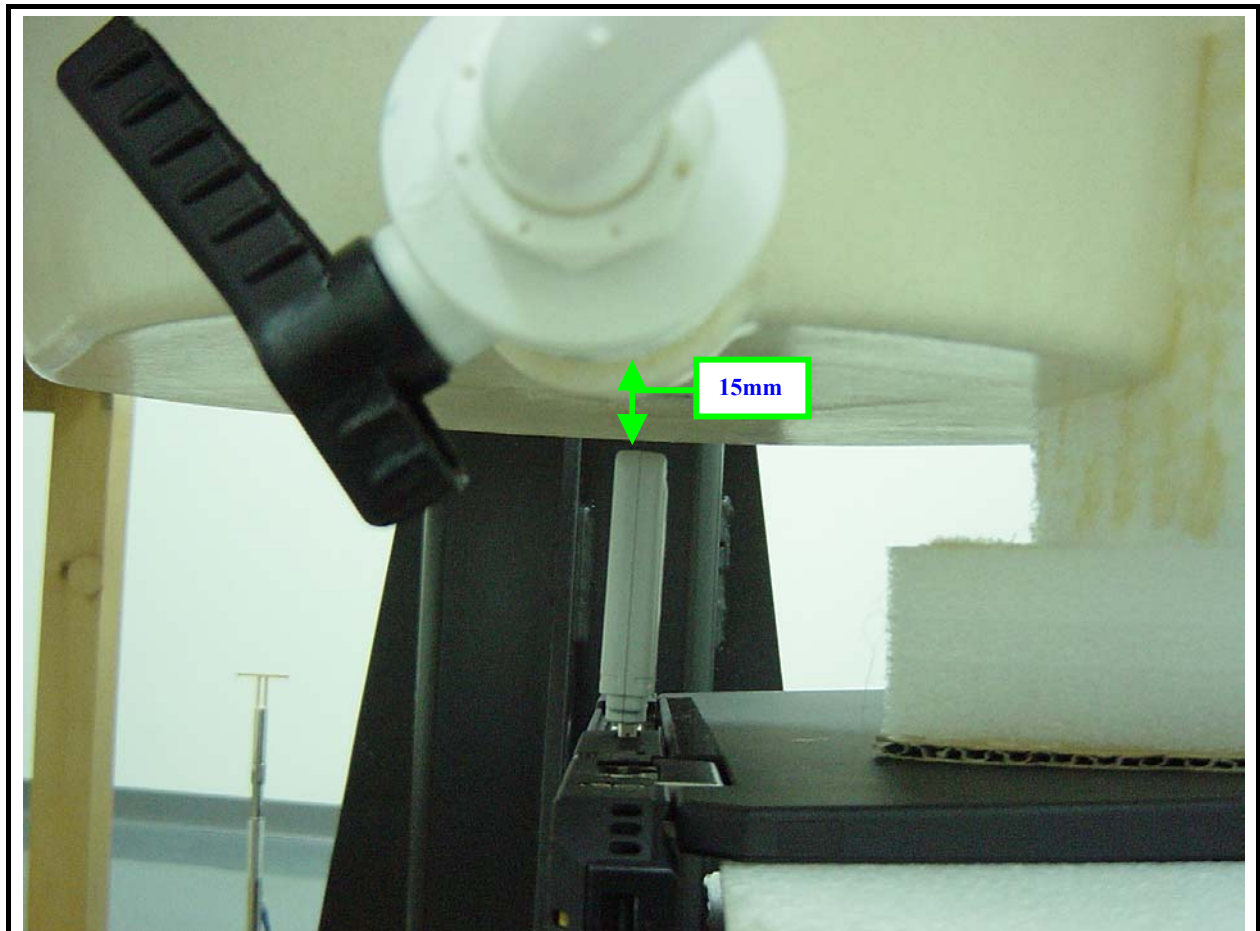
Sep. [mm]	Antenna	Channel	Frequency [MHz]	*Conducted Power dBm		Liquid Temp [°C]	SAR (W/kg)	Limit (W/kg)
				Before	After			
0mm	A and B	160	5800	16.09	16.06	24.2	0.336	1.6

802.11a (OFDM): Duty Cycle =100 %, Crest Factor: 1, Rate=108M. Depth of liquid: 15.0 cm

Sep. [mm]	Antenna	Channel	Frequency [MHz]	*Conducted Power dBm		Liquid Temp [°C]	SAR (W/kg)	Limit (W/kg)
				Before	After			
0mm	A and B	160	5800	15.88	15.85	24.2	0.178	1.6

- Notes: 1. *: Peak power.
 2. Bottom face in parallel with flat phantom.
 3. See attachment for the result presentation in plot format.

Test Configuration-2



802.11a (OFDM): Duty Cycle =100 %, Crest Factor: 1, Rate=6M. Depth of liquid: 15.0 cm

Sep. [mm]	Antenna	Channel	Frequency [MHz]	*Conducted Power dBm		Liquid Temp [°C]	SAR (W/kg)	Limit (W/kg)
				Before	After			
15mm	A and B	157	5785	15.63	15.60	24.2	0.097	1.6

802.11a (OFDM): Duty Cycle =100 %, Crest Factor: 1, Rate=54M. Depth of liquid: 15.0 cm

Sep. [mm]	Antenna	Channel	Frequency [MHz]	*Conducted Power dBm		Liquid Temp [°C]	SAR (W/kg)	Limit (W/kg)
				Before	After			
15mm	A and B	157	5785	15.38	15.35	24.2	0.119	1.6

- Notes: 1. *: Peak power.
 2. Host device perpendicular to flat phantom.
 3. See attachment for the result presentation in plot format.

10. EUT PHOTOS





11. EQUIPMENT LIST & CALIBRATION STATUS

Name of Equipment	Manufacturer	Type/Model	Serial Number	Calibration Due
S-Parameter Network Analyzer	Agilent	E8358A	US40260243	05/24/05
Electronic Probe kit	Hewlett Packard	85070D	N/A	N/A
Power Meter	Boonton	4531	13061	07/12/05
Power Sensor	Boonton	56218	2240	07/12/05
Thermometer	Amarell	4046	25060	10/02/14
Thermometer	Amarell	4046	25058	12/03/14
Universal Radio Communication Tester	Rohde & Schwarz	CMU 200	1100.0008.02	N/A
Signal Generator	Agilent	83630B	3844A01022	01/14/05
Amplifier	Mini-Circuit	ZHL-1724HLN	N/A	N/A
DC Power generator	ABM	8301HD	N/A	N/A
Data Acquisition Electronics (DAE)	SPEAG	DAE3	427	03/15/05
Data Acquisition Electronics (DAE)	SPEAG	DAE3	558	08/24/05
Dosimetric E-Field Probe	SPEAG	ET3DV6	1763	03/23/05
Dosimetric E-Field Probe	SPEAG	EX3DV3	3519	03/19/05
900 MHz System Validation Dipole	SPEAG	D900V2	179	05/12/06
1800 MHz System Validation Dipole	SPEAG	D1800V2	2d062	03/17/06
2450 MHz System Validation Dipole	SPEAG	D2450V2	728	03/22/06
D5Gz System Validation Dipole	SPEAG	D5GHz	1004	10/05/05
Probe Alignment Unit	SPEAG	LB (V2)	348	N/A
Robot	Staubli	RX90B L	F02/5T69A1/A/01	N/A
SAM Twin Phantom V4.0	SPEAG	N/A	N/A	N/A
Devices Holder	SPEAG	N/A	N/A	N/A
Head 835 MHz	CCS	H835A	N/A	N/A
Muscle 835 MHz	CCS	M835A	N/A	N/A
Head 900 MHz	CCS	H900A	N/A	N/A
Muscle 900 MHz	CCS	M900A	N/A	N/A
Head 1800 MHz	CCS	H1800A	N/A	N/A
Muscle 1800 MHz	CCS	M1800A	N/A	N/A
Head 1900 MHz	CCS	H1900A	N/A	N/A
Muscle 1900 MHz	CCS	M1900A	N/A	N/A
Head 2450 MHz	CCS	H2450A	N/A	N/A
Muscle 2450 MHz	CCS	M2450A	N/A	N/A
Muscle 5800 MHz	CCS	M5800A	N/A	N/A



12. FACILITIES

All measurement facilities used to collect the measurement data are located at

- No. 81-1, Lane 210, Bade Rd. 2, Luchu Hsiang, Taoyuan Hsien, Taiwan, R.O.C.
- No. 11, Wu-Kung 6 Rd, Wu-Ku Hsiang, Wu-Ku Industrial District, Taipei Hsien, (248) Taiwan.
- No. 199, Chunghsen Road, Hsintien City, Taipei Hsien, Taiwan, R.O.C.

13. REFERENCES

- [1] Federal Communications Commission, \Report and order: Guidelines for evaluating the environ-mental effects of radiofrequency radiation", Tech. Rep. FCC 96-326, FCC, Washington, D.C. 20554, 1996.
- [2] David L. Means Kwok Chan, Robert F. Cleveland, \Evaluating compliance with FCC guidelines for human exposure to radiofrequency electromagnetic fields", Tech. Rep., Federal Communication Commision, O_cce of Engineering & Technology, Washington, DC, 1997.
- [3] Thomas Schmid, Oliver Egger, and Niels Kuster, \Automated E-_eld scanning system for dosimetric assessments", IEEE Transactions on Microwave Theory and Techniques, vol. 44, pp. 105{113, Jan. 1996.
- [4] Niels Kuster, Ralph K.astle, and Thomas Schmid, \Dosimetric evaluation of mobile communications equipment with known precision", IEICE Transactions on Communications, vol. E80-B, no. 5, pp. 645{652, May 1997.
- [5] CENELEC, \Considerations for evaluating of human exposure to electromagnetic fields (EMFs) from mobile telecommunication equipment (MTE) in the frequency range 30MHz - 6GHz", Tech. Rep., CENELEC, European Committee for Electrotechnical Standardization, Brussels, 1997.
- [6] ANSI, ANSI/IEEE C95.1-1992: IEEE Standard for Safety Levels with Respect to Human Exposure to Radio Frequency Electromagnetic Fields, 3 kHz to 300 GHz, The Institute of Electrical and Electronics Engineers, Inc., New York, NY 10017, 1992.
- [7] Katja Pokovic, Thomas Schmid, and Niels Kuster, \Robust setup for precise calibration of E-_eld probes in tissue simulating liquids at mobile communications frequencies", in ICECOM _97, Dubrovnik, October 15{17, 1997, pp. 120{124.
- [8] Katja Pokovic, Thomas Schmid, and Niels Kuster, \E-_eld probe with improved isotropy in brain simulating liquids", in Proceedings of the ELMAR, Zadar, Croatia, 23{25 June, 1996, pp. 172{175.
- [9] Volker Hombach, Klaus Meier, Michael Burkhardt, Eberhard K. uhn, and Niels Kuster, \The dependence of EM energy absorption upon human head modeling at 900 MHz", IEEE Transactions on Microwave Theory and Techniques, vol. 44, no. 10, pp. 1865{1873, Oct. 1996.
- [10] Klaus Meier, Ralf Kastle, Volker Hombach, Roger Tay, and Niels Kuster, \The dependence of EM energy absorption upon human head modeling at 1800 MHz", IEEE Transactions on Microwave Theory and Techniques, Oct. 1997, in press.
- [11] W. Gander, Computermathematik, Birkhaeuser, Basel, 1992.
- [12] W. H. Press, S. A. Teukolsky, W. T. Vetterling, and B. P. Flannery, Numerical Receptions in C, The Art of Scientific Computing, Second Edition, Cambridge University Press, 1992..Dosimetric Evaluation of Sample device, month 1998 9
- [13] NIS81 NAMAS, \The treatment of uncertainty in EMC measurement", Tech. Rep., NAMAS Executive, National Physical Laboratory, Teddington, Middlesex, England, 1994.
- [14] Barry N. Taylor and Christ E. Kuyatt, \Guidelines for evaluating and expressing the uncertainty of NIST measurement results", Tech. Rep., National Institute of Standards and Technology, 1994. Dosimetric Evaluation of Sample device, month 1998 10



14. ATTACHMENTS

Exhibit	Content
1	System Performance Check Plots
2	SAR Test Plots

END OF REPORT

Test Laboratory: Compliance Certification Services Inc.

D2450V2 SN 728

DUT: Dipole 2450 MHz; Type: D2450V2; Serial: D2450V2 - SN:728

Communication System: CW2450; Frequency: 2450 MHz; Duty Cycle: 1:1

Medium parameters used: $f = 2450$ MHz; $\sigma = 1.98$ mho/m; $\epsilon_r = 50.8$; $\rho = 1000$ kg/m³

Air Temperature: 24.5 deg C; Liquid Temperature: 23.5 deg C

Phantom section: Flat Section

DASY4 Configuration:

- Probe: ET3DV6 - SN1763; ConvF(4.41, 4.41, 4.41); Calibrated: 3/23/2004
- Sensor-Surface: 4mm (Mechanical Surface Detection) Sensor-Surface: 0mm (Fix Surface)
- Electronics: DAE3 Sn558; Calibrated: 8/24/2004
- Phantom: SAM 34; Type: SAM V4.0; Serial: TP-1150
- Measurement SW: DASY4, V4.3 Build 16; Postprocessing SW: SEMCAD, V1.8 Build 123

Pin=250mW,d=10mm/Area Scan (6x6x1): Measurement grid: dx=15mm, dy=15mm

Maximum value of SAR (measured) = 10.4 mW/g

Pin=250mW,d=10mm/Z Scan (1x1x21): Measurement grid: dx=20mm, dy=20mm, dz=5mm

Maximum value of SAR (measured) = 14.5 mW/g

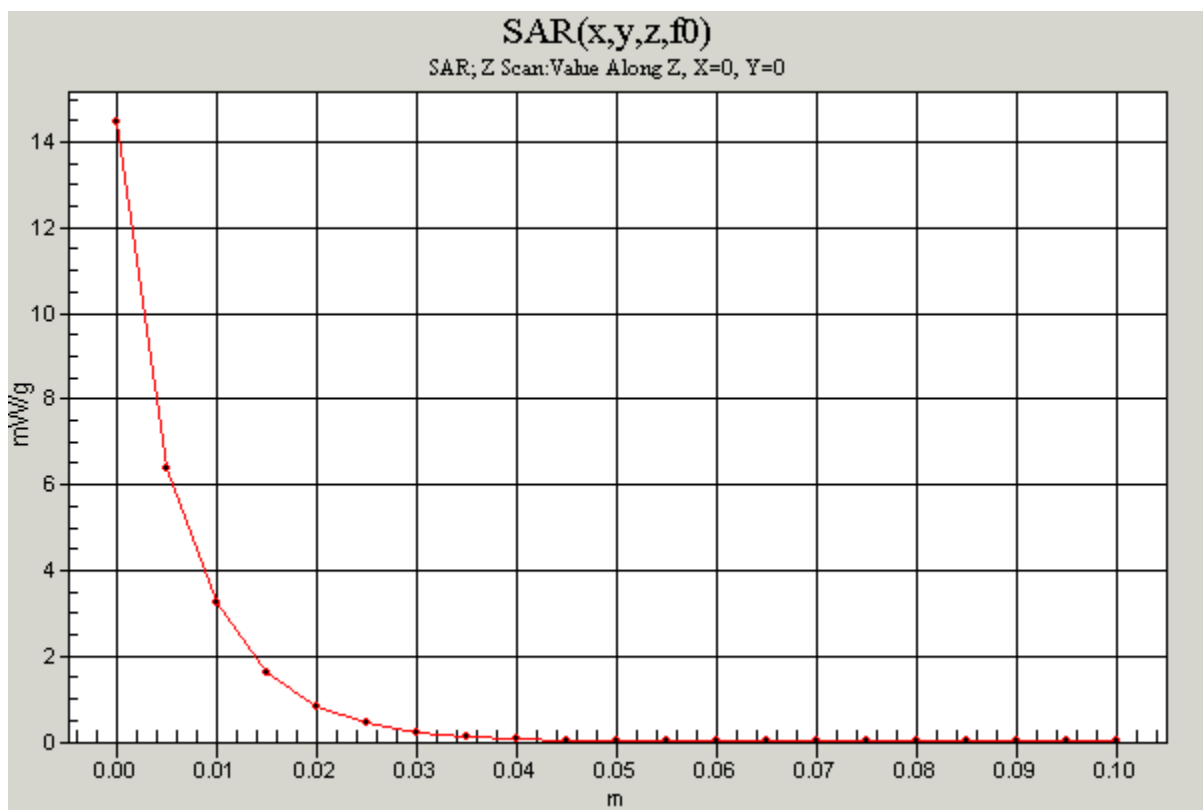
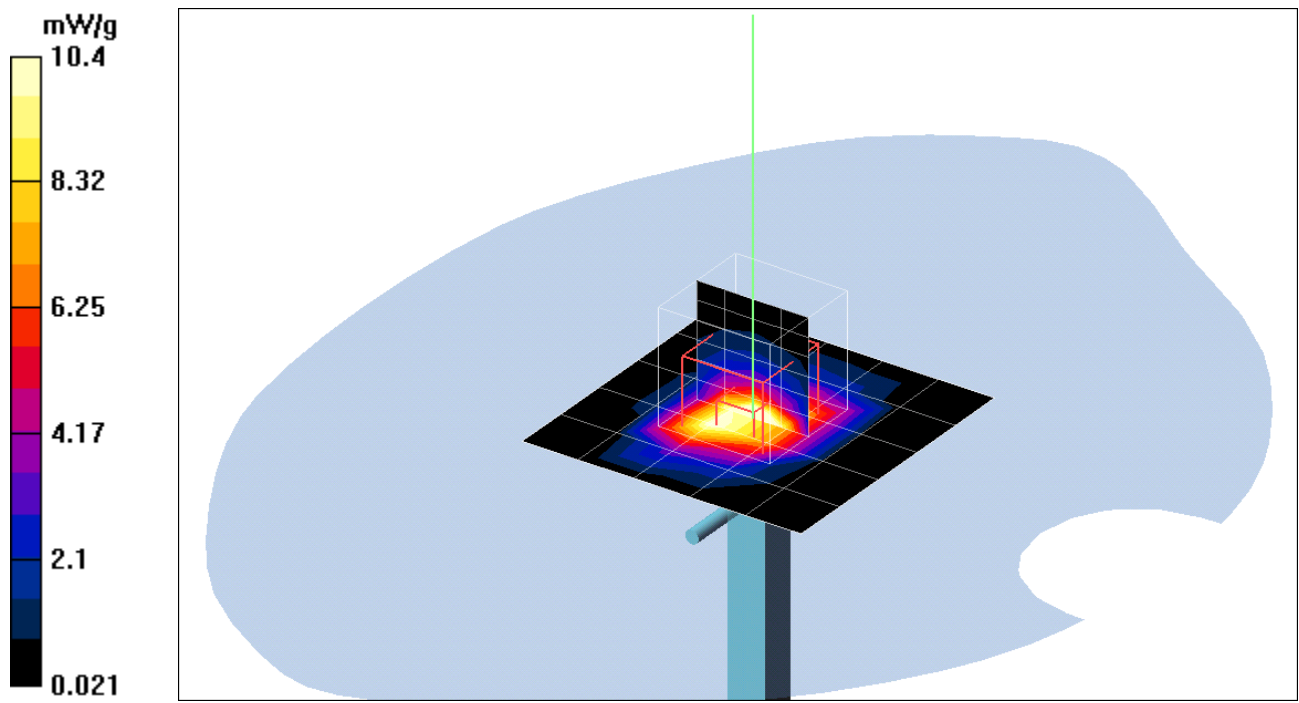
Pin=250mW,d=10mm/Zoom Scan (5x5x7)/Cube 0: Measurement grid: dx=7.5mm, dy=7.5mm, dz=5mm

Reference Value = 88.9 V/m; Power Drift = -0.001 dB

Peak SAR (extrapolated) = 32.4 W/kg

SAR(1 g) = 13.50 mW/g; SAR(10 g) = 5.99 mW/g

Maximum value of SAR (measured) = 15 mW/g



Test Laboratory: Compliance Certification Services Inc.

D5GHz V2 SN 1004

DUT: Dipole 5GHz ; Type: D5GHz V2; Serial: 1004

Communication System: CW5GHz; Frequency: 5200 MHz; Duty Cycle: 1:1

Medium parameters used: $f = 5200$ MHz; $\sigma = 5.45$ mho/m; $\epsilon_r = 47.1$; $\rho = 1000$ kg/m³

Air Temperature: 25.2 deg C; Liquid Temperature: 24.2 deg C

Phantom section: Flat Section

DASY4 Configuration:

- Probe: EX3DV3 - SN3519; ConvF(4.21, 4.21, 4.21); Calibrated: 3/19/2004
- Sensor-Surface: 2.5mm (Mechanical Surface Detection) Sensor-Surface: 0mm (Fix Surface)
- Electronics: DAE3 Sn558; Calibrated: 8/24/2004
- Phantom: SAM 34; Type: SAM V4.0; Serial: TP-1150
- Measurement SW: DASY4, V4.3 Build 16; Postprocessing SW: SEMCAD, V1.8 Build 123

Pin=250mW, d=10mm f=5200MHz 2/Area Scan (8x8x1): Measurement grid:

dx=10mm, dy=10mm

Maximum value of SAR (measured) = 24.7 mW/g

Pin=250mW, d=10mm f=5200MHz 2/Z Scan (1x1x21): Measurement grid:

dx=20mm, dy=20mm, dz=5mm

Maximum value of SAR (measured) = 58.9 mW/g

Pin=250mW, d=10mm f=5200MHz 2/Zoom Scan (8x8x8)/Cube 0:

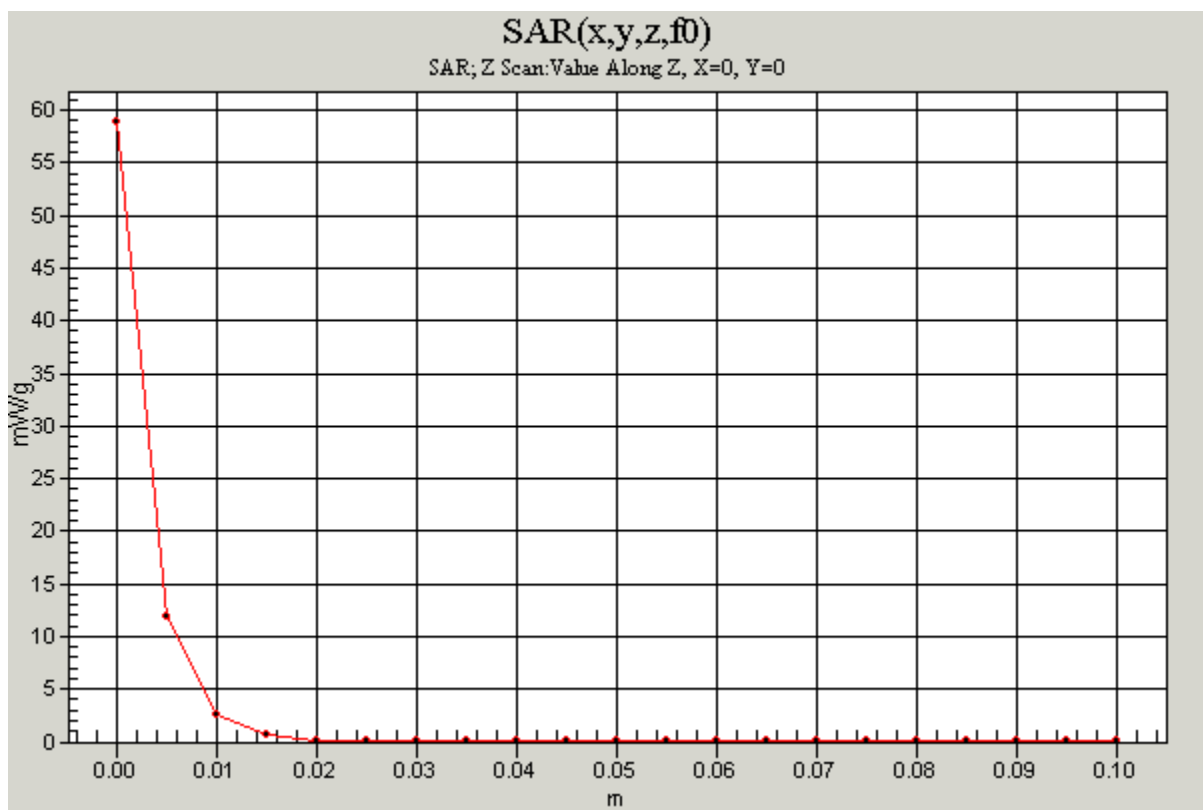
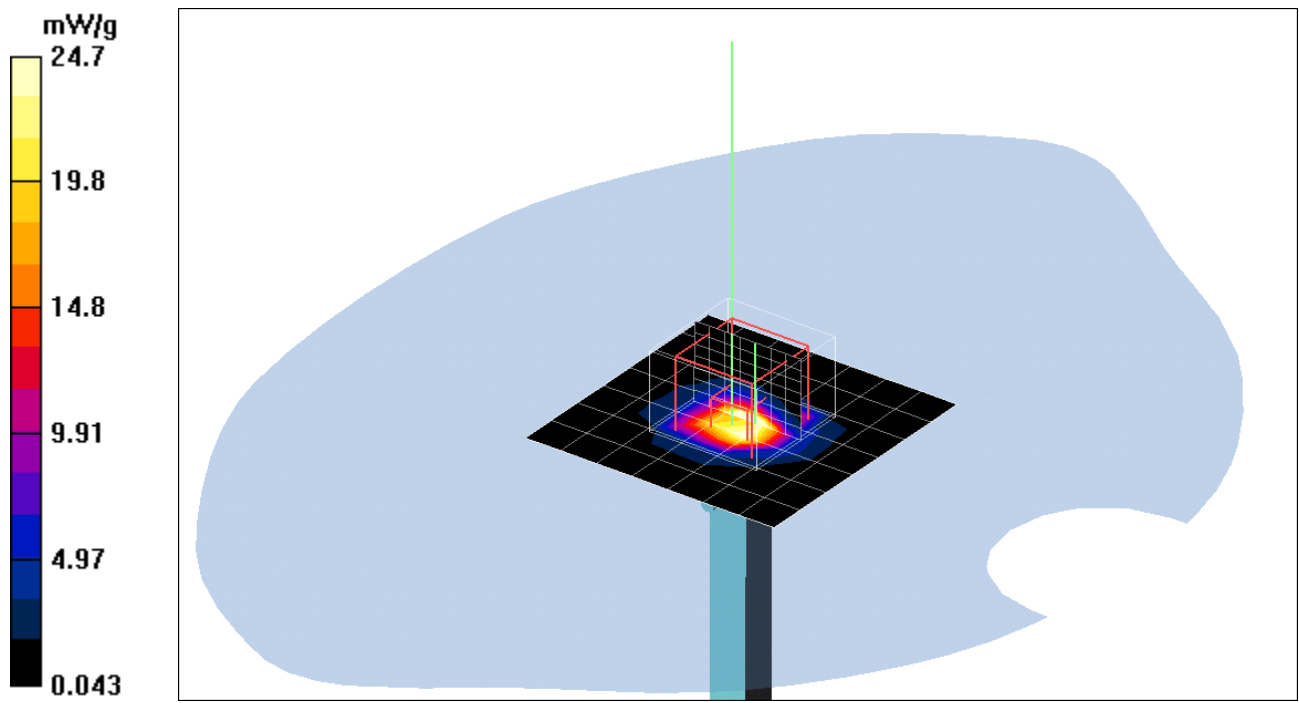
Measurement grid: dx=4.3mm, dy=4.3mm, dz=3mm

Reference Value = 88.5 V/m; Power Drift = -0.1 dB

Peak SAR (extrapolated) = 72.3 W/kg

SAR(1 g) = 21.0 mW/g; SAR(10 g) = 5.93 mW/g

Maximum value of SAR (measured) = 34.7 mW/g



Test Laboratory: Compliance Certification Services Inc.

D5GHz V2 SN 1004

DUT: Dipole 5GHz ; Type: D5GHz V2; Serial: 1004

Communication System: CW5GHz; Frequency: 5800 MHz; Duty Cycle: 1:1

Medium parameters used: $f = 5800$ MHz; $\sigma = 6.26$ mho/m; $\epsilon_r = 45.9$; $\rho = 1000$ kg/m³

Air Temperature: 25.2 deg C; Liquid Temperature: 24.2 deg C

Phantom section: Flat Section

DASY4 Configuration:

- Probe: EX3DV3 - SN3519; ConvF(3.82, 3.82, 3.82); Calibrated: 3/19/2004
- Sensor-Surface: 2.5mm (Mechanical Surface Detection) Sensor-Surface: 0mm (Fix Surface)
- Electronics: DAE3 Sn558; Calibrated: 8/24/2004
- Phantom: SAM 34; Type: SAM V4.0; Serial: TP-1150
- Measurement SW: DASY4, V4.3 Build 16; Postprocessing SW: SEMCAD, V1.8 Build 123

Pin=250mW, d=10mm f=5800MHz/Area Scan (8x8x1): Measurement grid:

dx=10mm, dy=10mm

Maximum value of SAR (measured) = 20.9 mW/g

Pin=250mW, d=10mm f=5800MHz/Z Scan (1x1x21): Measurement grid:

dx=20mm, dy=20mm, dz=5mm

Maximum value of SAR (measured) = 58.2 mW/g

Pin=250mW, d=10mm f=5800MHz/Zoom Scan (8x8x8)/Cube 0:

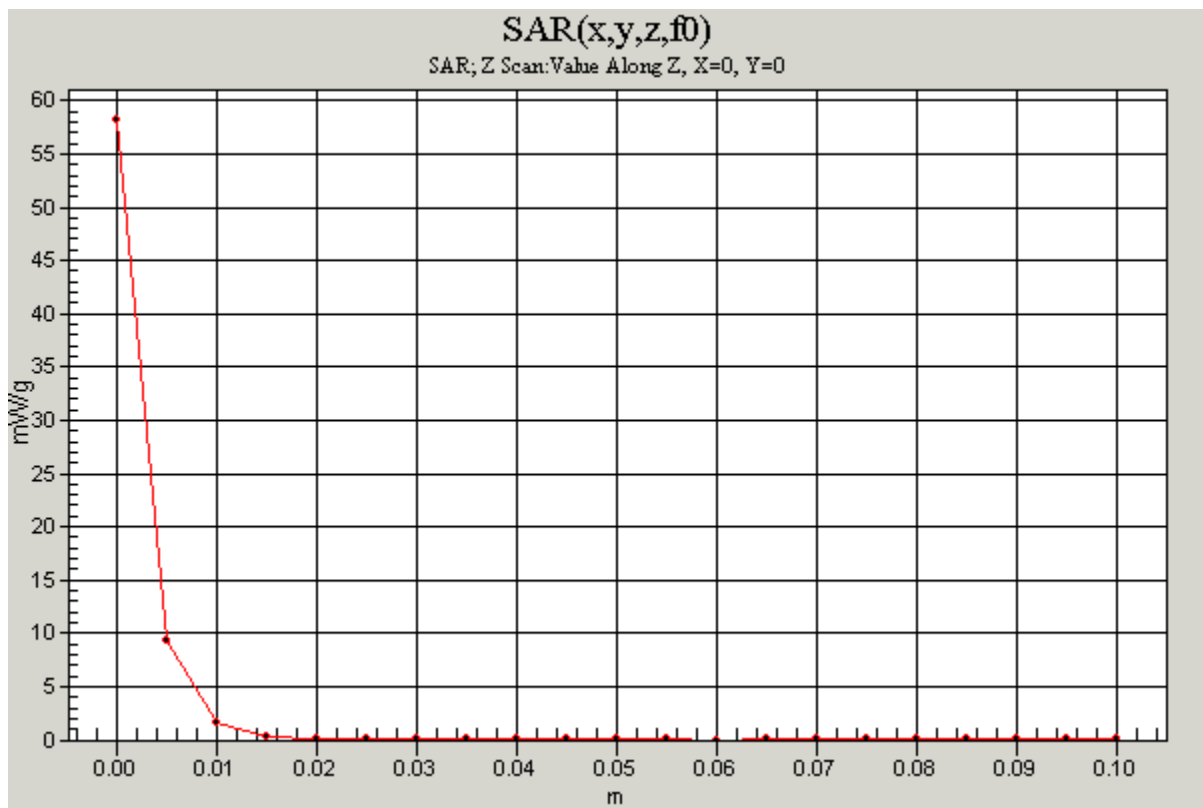
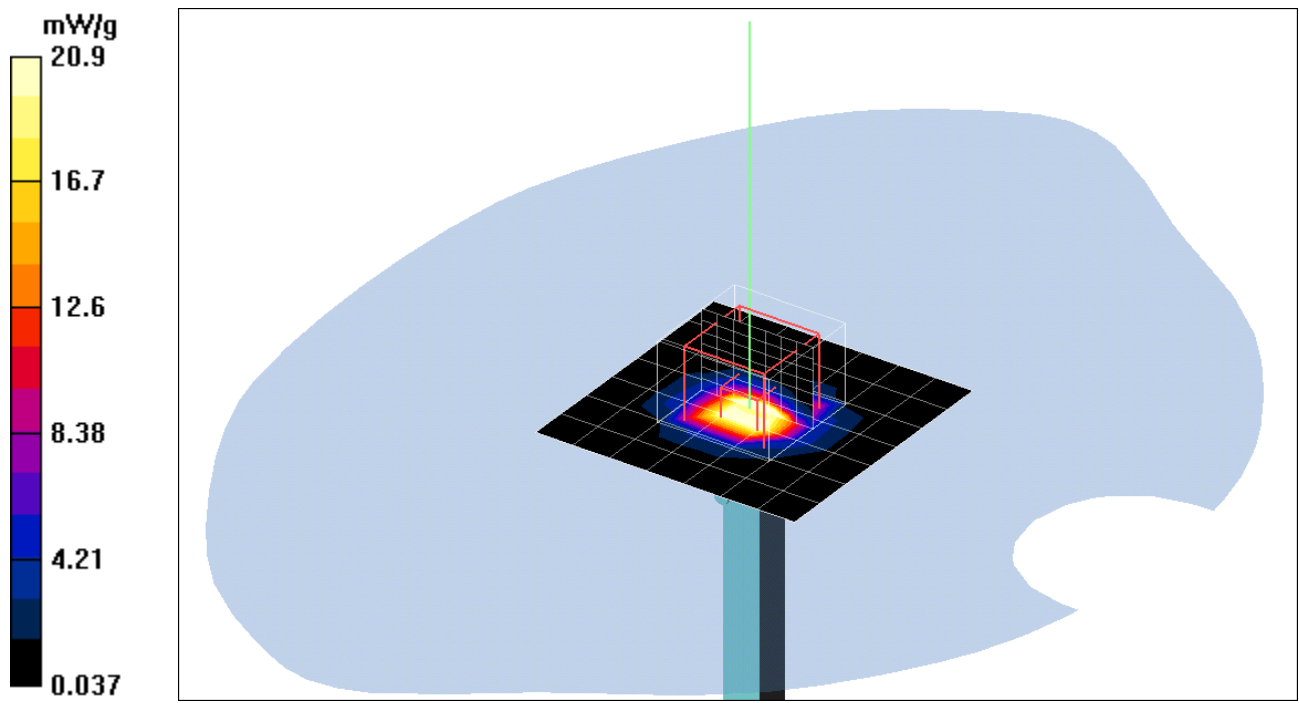
Measurement grid: dx=4.3mm, dy=4.3mm, dz=3mm

Reference Value = 80.7 V/m; Power Drift = 0.0 dB

Peak SAR (extrapolated) = 79.4 W/kg

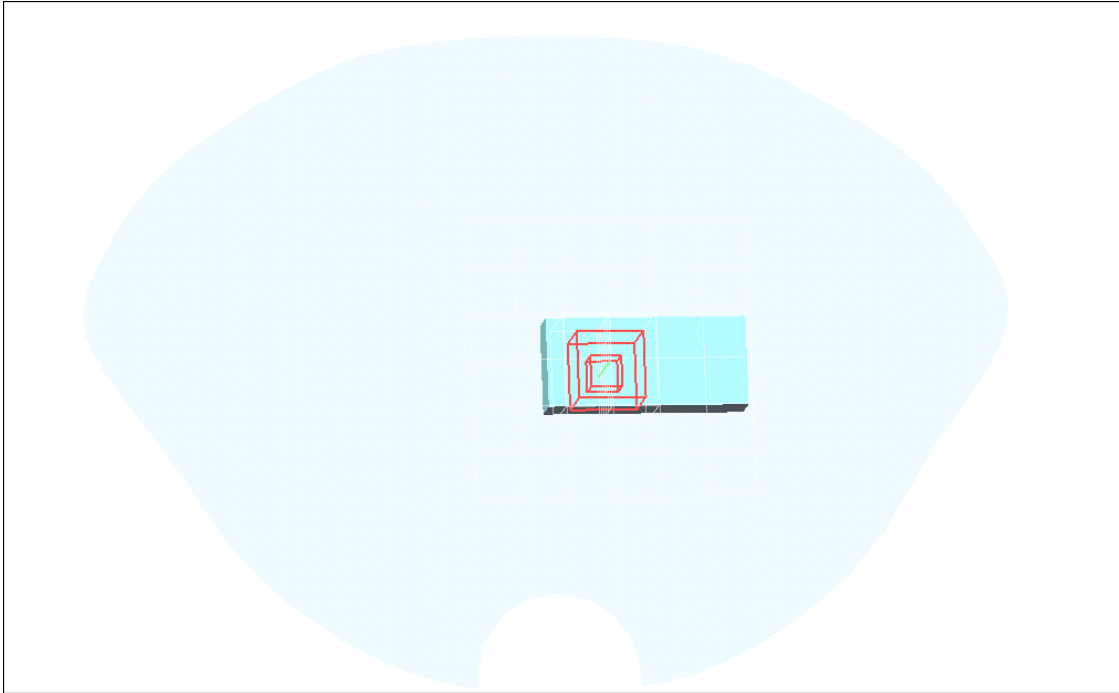
SAR(1 g) = 19.7 mW/g; SAR(10 g) = 5.47 mW/g

Maximum value of SAR (measured) = 33.1 mW/g



Test Laboratory: Compliance Certification Services Inc.

Test Configuration-1



Test Laboratory: Compliance Certification Services Inc.

802.11b Touch mode

DUT: DWL-AG132; Type: Wireless USB Adapter; Serial: N/A

Communication System: IEEE 802.11b WLAN; Frequency: 2437 MHz; Duty Cycle: 1:1

Medium parameters used: $f = 2437$ MHz; $\sigma = 1.98$ mho/m; $\epsilon_r = 50.8$; $\rho = 1000$ kg/m³

Air Temperature: 24.5 deg C; Liquid Temperature: 23.5 deg C

Phantom section: Flat Section

Area scan setting: Find secondary maximum within 2.0 dB ; Zoom scan setting: Maximum number of cubes to measure 2

DASY4 Configuration:

- Probe: ET3DV6 - SN1763; ConvF(4.41, 4.41, 4.41); Calibrated: 3/23/2004
- Sensor-Surface: 4mm (Mechanical Surface Detection) Sensor-Surface: 0mm (Fix Surface)
- Electronics: DAE3 Sn558; Calibrated: 8/24/2004
- Phantom: SAM 12; Type: SAM V4.0; Serial: TP-1150
- Measurement SW: DASY4, V4.3 Build 16; Postprocessing SW: SEMCAD, V1.8 Build 123

Middle CH Rate=1M bit/Area Scan (7x7x1): Measurement grid: dx=15mm, dy=15mm

Maximum value of SAR (measured) = 0.152 mW/g

Middle CH Rate=1M bit/Z Scan (1x1x21): Measurement grid: dx=20mm, dy=20mm, dz=5mm

Maximum value of SAR (measured) = 0.169 mW/g

Middle CH Rate=1M bit/Zoom Scan (5x5x7)/Cube 0: Measurement grid: dx=7.5mm, dy=7.5mm, dz=5mm

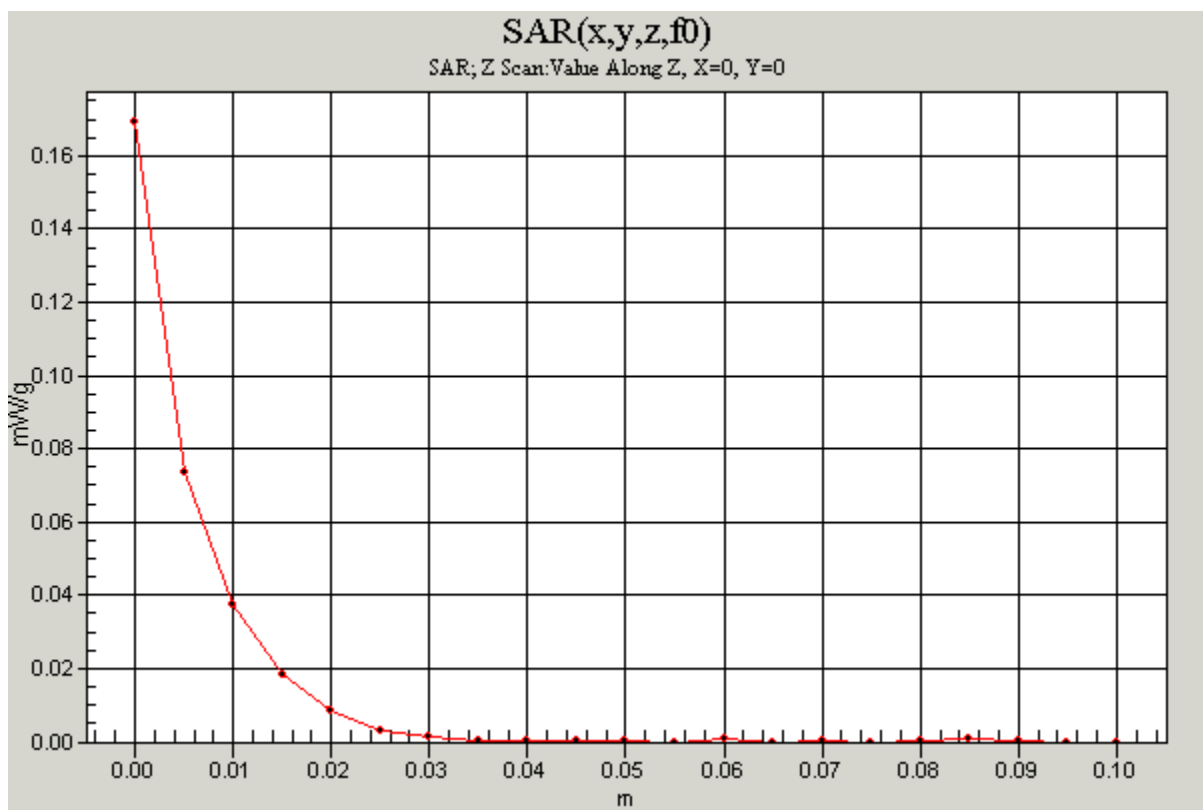
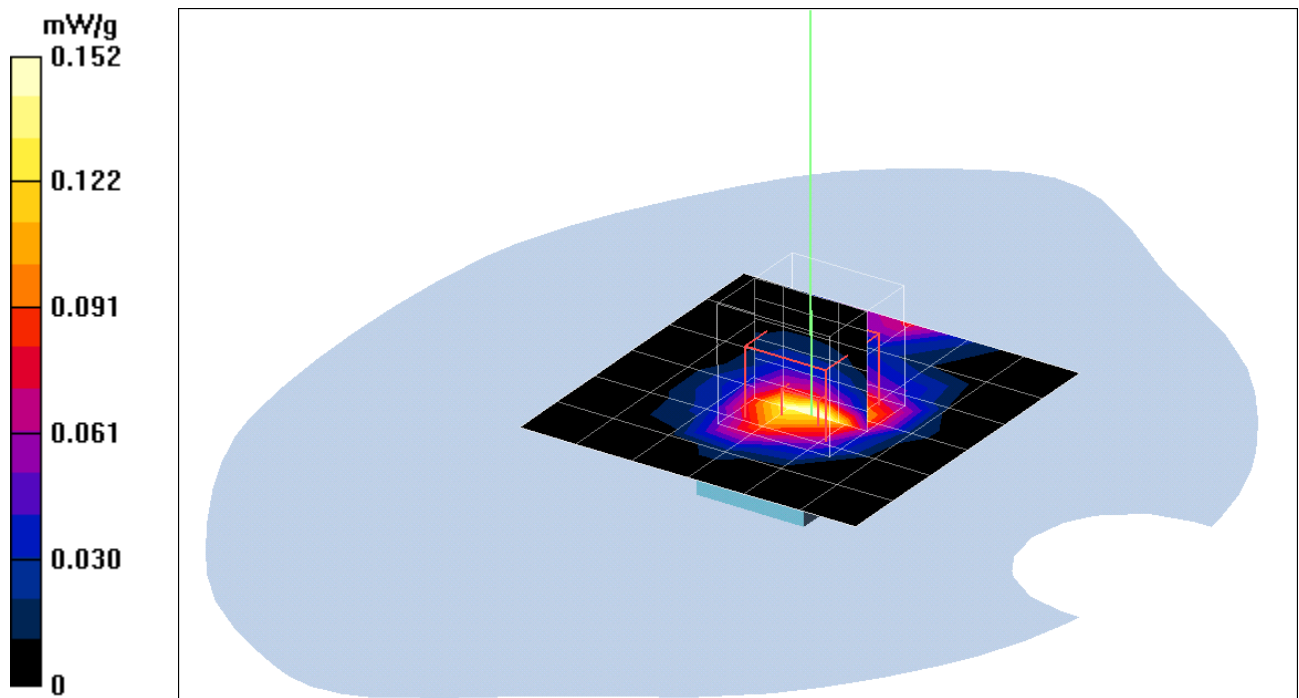
Reference Value = 5.63 V/m; Power Drift = -0.0 dB

Peak SAR (extrapolated) = 0.401 W/kg

SAR(1 g) = 0.164 mW/g; SAR(10 g) = 0.076 mW/g

Maximum value of SAR (measured) = 0.177 mW/g

□



Test Laboratory: Compliance Certification Services Inc.

802.11b Touch mode

DUT: DWL-AG132; Type: Wireless USB Adapter; Serial: N/A

Communication System: IEEE 802.11b WLAN; Frequency: 2437 MHz; Duty Cycle: 1:1

Medium parameters used: $f = 2437$ MHz; $\sigma = 1.98$ mho/m; $\epsilon_r = 50.8$; $\rho = 1000$ kg/m³

Air Temperature: 24.5 deg C; Liquid Temperature: 23.5 deg C

Phantom section: Flat Section

Area scan setting: Find secondary maximum within 2.0 dB ; Zoom scan setting: Maximum number of cubes to measure 2

DASY4 Configuration:

- Probe: ET3DV6 - SN1763; ConvF(4.41, 4.41, 4.41); Calibrated: 3/23/2004
- Sensor-Surface: 4mm (Mechanical Surface Detection) Sensor-Surface: 0mm (Fix Surface)
- Electronics: DAE3 Sn558; Calibrated: 8/24/2004
- Phantom: SAM 12; Type: SAM V4.0; Serial: TP-1150
- Measurement SW: DASY4, V4.3 Build 16; Postprocessing SW: SEMCAD, V1.8 Build 123

Middle CH Rate=11M bit/Area Scan (7x7x1): Measurement grid: dx=15mm, dy=15mm

Maximum value of SAR (measured) = 0.164 mW/g

Middle CH Rate=11M bit/Z Scan (1x1x21): Measurement grid: dx=20mm, dy=20mm, dz=5mm

Maximum value of SAR (measured) = 0.188 mW/g

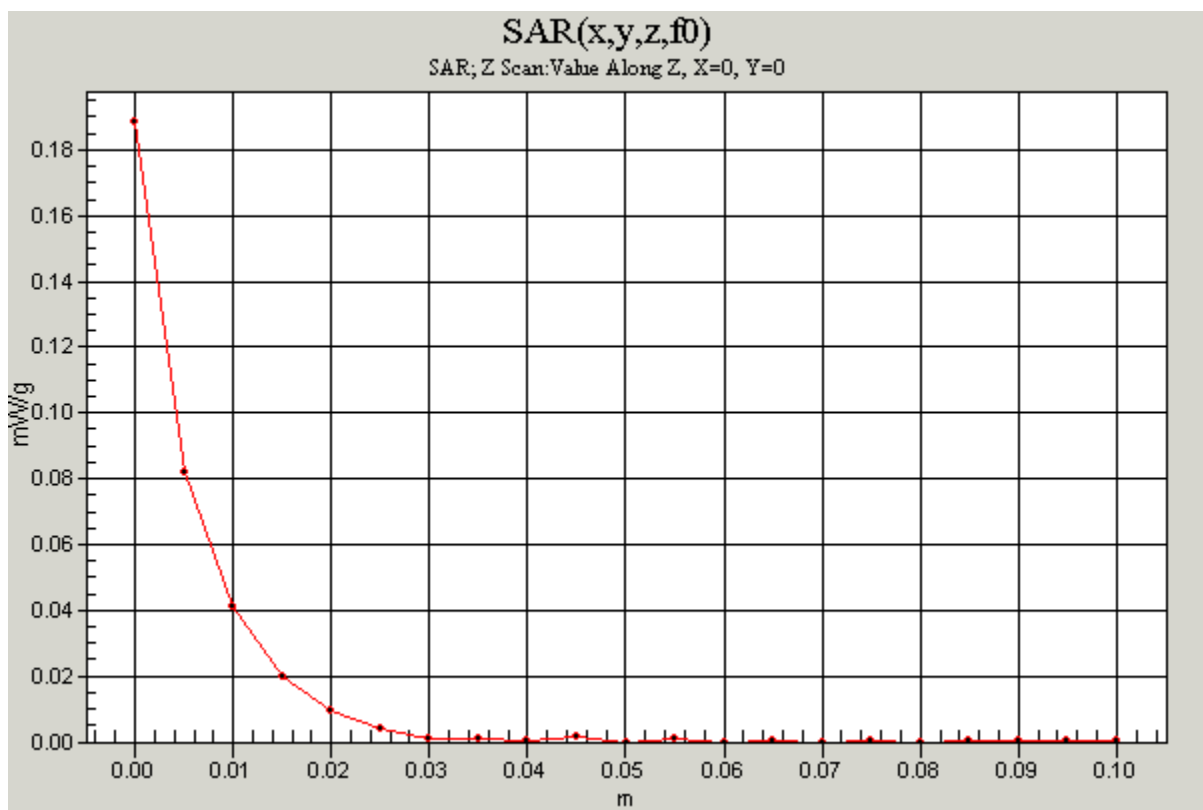
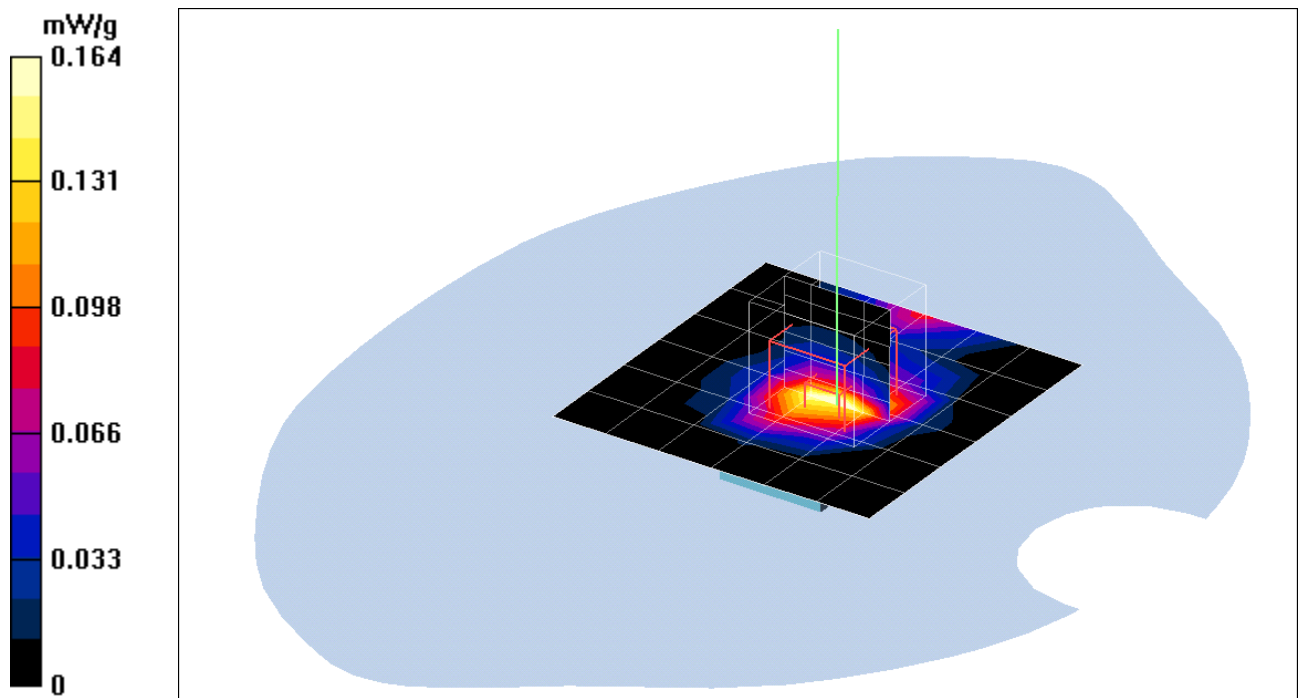
Middle CH Rate=11M bit/Zoom Scan (5x5x7)/Cube 0: Measurement grid: dx=7.5mm, dy=7.5mm, dz=5mm

Reference Value = 5.57 V/m; Power Drift = 0.0003 dB

Peak SAR (extrapolated) = 0.450 W/kg

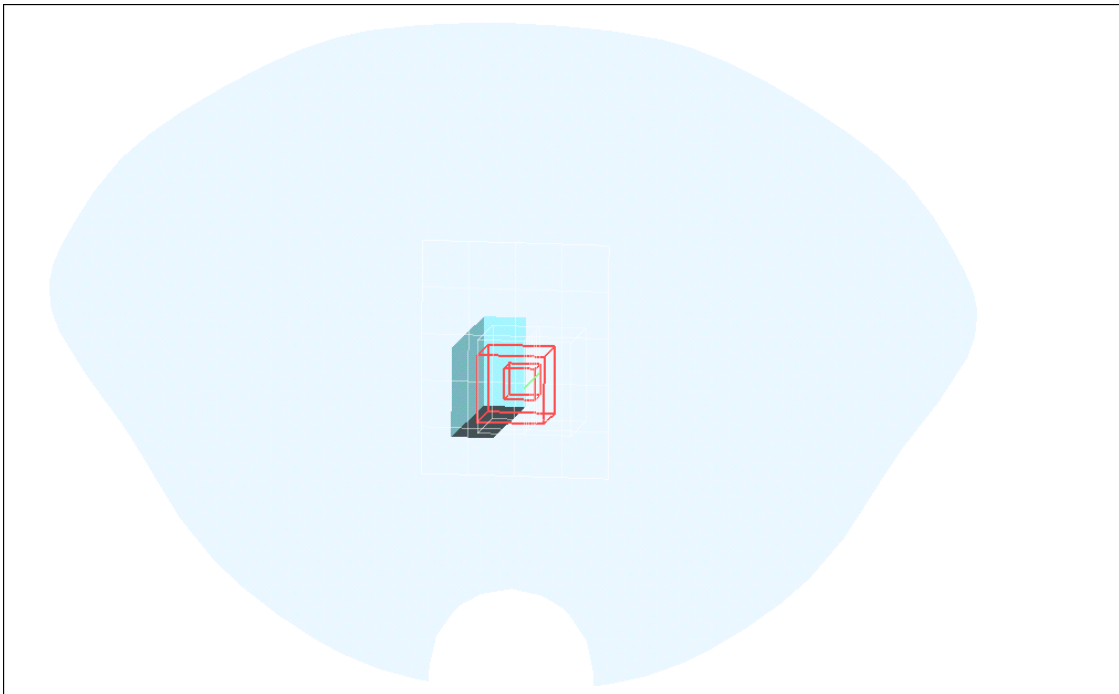
SAR(1 g) = 0.183 mW/g; SAR(10 g) = 0.084 mW/g

Maximum value of SAR (measured) = 0.199 mW/g



Test Laboratory: Compliance Certification Services Inc.

Test Configuration-2



Test Laboratory: Compliance Certification Services Inc.

802.11b 15mm mode

DUT: DWL-AG132; Type: Wireless USB Adapter; Serial: N/A

Communication System: IEEE 802.11b WLAN; Frequency: 2437 MHz; Duty Cycle: 1:1

Medium parameters used: $f = 2437 \text{ MHz}$; $\sigma = 1.98 \text{ mho/m}$; $\epsilon_r = 50.8$; $\rho = 1000 \text{ kg/m}^3$

Air Temperature: 24.5 deg C; Liquid Temperature: 23.5 deg C

Phantom section: Flat Section

Area scan setting: Find secondary maximum within 2.0 dB ; Zoom scan setting: Maximum number of cubes to measure 2

DASY4 Configuration:

- Probe: ET3DV6 - SN1763; ConvF(4.41, 4.41, 4.41); Calibrated: 3/23/2004
- Sensor-Surface: 4mm (Mechanical Surface Detection)
- Electronics: DAE3 Sn558; Calibrated: 8/24/2004
- Phantom: SAM 12; Type: SAM V4.0; Serial: TP-1150
- Measurement SW: DASY4, V4.3 Build 16; Postprocessing SW: SEMCAD, V1.8 Build 123

Middle CH Rate=1M bit/Area Scan (6x5x1): Measurement grid: dx=15mm, dy=15mm

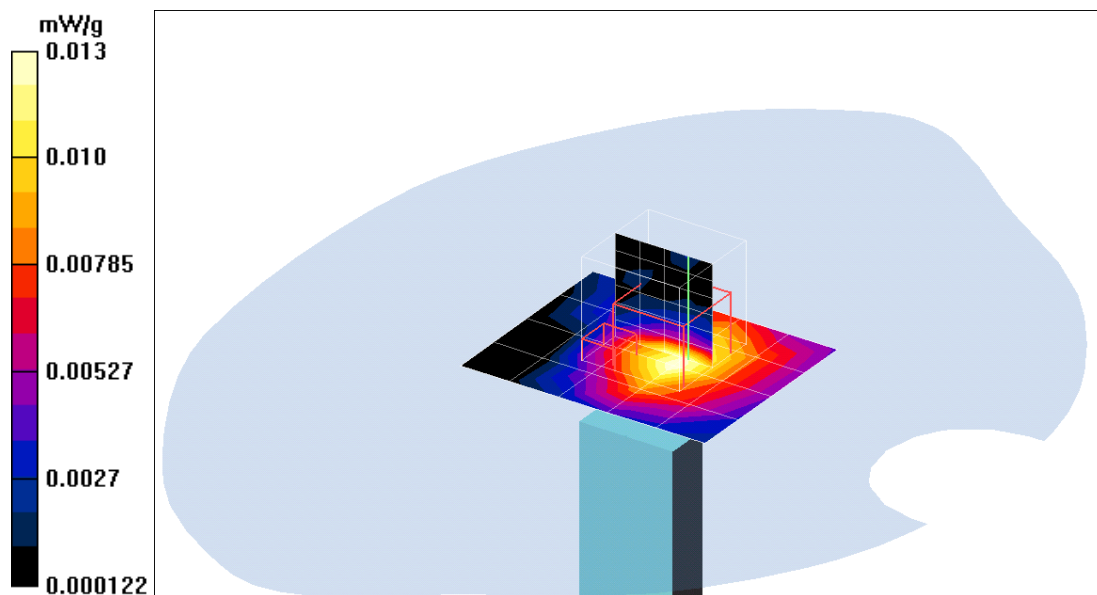
Maximum value of SAR (measured) = 0.013 mW/g

Middle CH Rate=1M bit/Zoom Scan (5x5x7)/Cube 0: Measurement grid: dx=7.5mm, dy=7.5mm, dz=5mm

Reference Value = 2.52 V/m; Power Drift = -0.2 dB

Peak SAR (extrapolated) = 0.023 W/kg

SAR(1 g) = **0.011 mW/g**; SAR(10 g) = **0.00543 mW/g**



Test Laboratory: Compliance Certification Services Inc.

802.11b 15mm mode

DUT: DWL-AG132; Type: Wireless USB Adapter; Serial: N/A

Communication System: IEEE 802.11b WLAN; Frequency: 2437 MHz; Duty Cycle: 1:1

Medium parameters used: $f = 2437 \text{ MHz}$; $\sigma = 1.98 \text{ mho/m}$; $\epsilon_r = 50.8$; $\rho = 1000 \text{ kg/m}^3$

Air Temperature: 24.5 deg C; Liquid Temperature: 23.5 deg C

Phantom section: Flat Section

Area scan setting: Find secondary maximum within 2.0 dB ; Zoom scan setting: Maximum number of cubes to measure 2

DASY4 Configuration:

- Probe: ET3DV6 - SN1763; ConvF(4.41, 4.41, 4.41); Calibrated: 3/23/2004
- Sensor-Surface: 4mm (Mechanical Surface Detection)
- Electronics: DAE3 Sn558; Calibrated: 8/24/2004
- Phantom: SAM 12; Type: SAM V4.0; Serial: TP-1150
- Measurement SW: DASY4, V4.3 Build 16; Postprocessing SW: SEMCAD, V1.8 Build 123

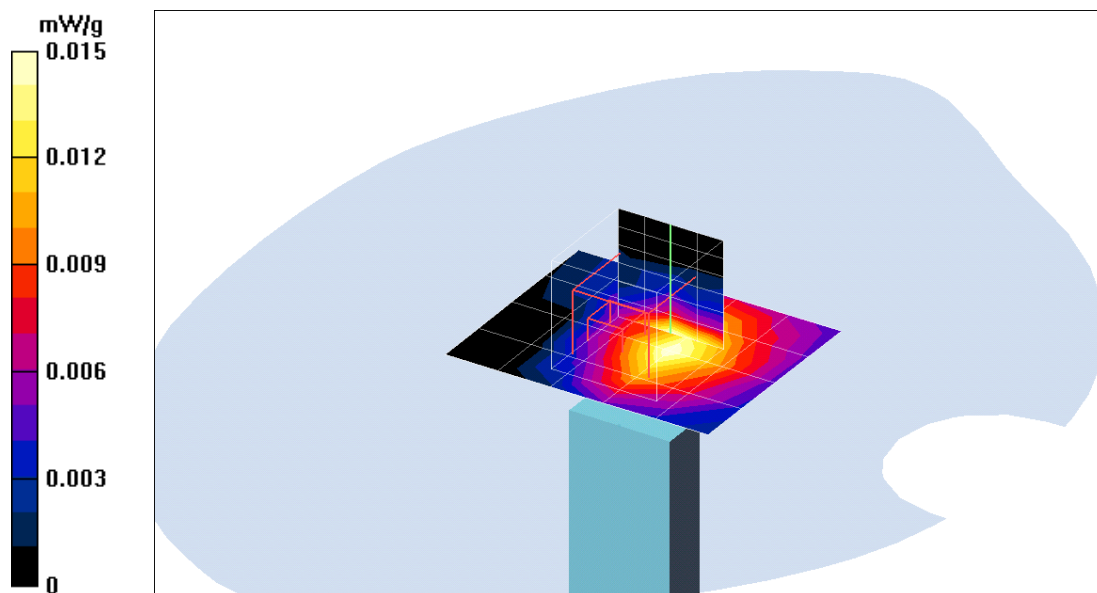
Middle CH Rate=11M bit/Area Scan (6x5x1): Measurement grid: dx=15mm, dy=15mm
Maximum value of SAR (measured) = 0.015 mW/g

Middle CH Rate=11M bit/Zoom Scan (5x5x7)/Cube 0: Measurement grid: dx=7.5mm, dy=7.5mm, dz=5mm

Reference Value = 2.52 V/m; Power Drift = -0.1 dB

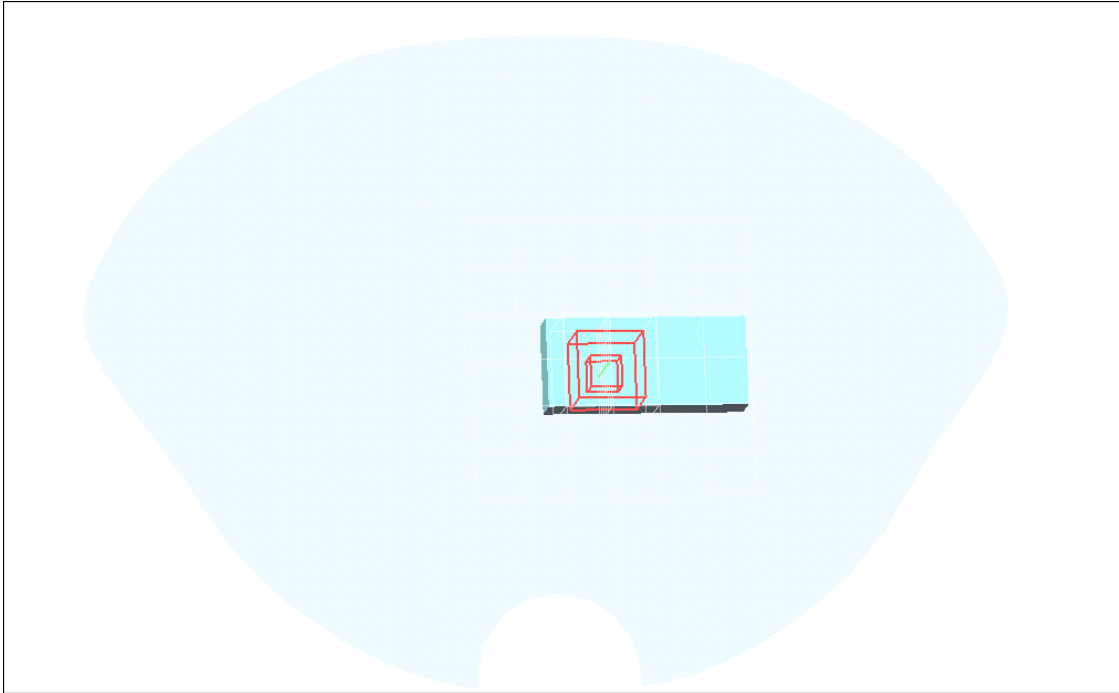
Peak SAR (extrapolated) = 0.045 W/kg

SAR(1 g) = **0.022 mW/g**; SAR(10 g) = **0.00689 mW/g**



Test Laboratory: Compliance Certification Services Inc.

Test Configuration-1



Test Laboratory: Compliance Certification Services Inc.

802.11g Touch mode

DUT: DWL-AG132; Type: Wireless USB Adapter; Serial: N/A

Communication System: IEEE 802.11g WLAN; Frequency: 2437 MHz; Duty Cycle: 1:1

Medium parameters used: $f = 2437$ MHz; $\sigma = 1.98$ mho/m; $\epsilon_r = 50.8$; $\rho = 1000$ kg/m³

Air Temperature: 24.5 deg C; Liquid Temperature: 23.5 deg C

Phantom section: Flat Section

Area scan setting: Find secondary maximum within 2.0 dB ; Zoom scan setting: Maximum number of cubes to measure 2

DASY4 Configuration:

- Probe: ET3DV6 - SN1763; ConvF(4.41, 4.41, 4.41); Calibrated: 3/23/2004
- Sensor-Surface: 4mm (Mechanical Surface Detection)
- Electronics: DAE3 Sn558; Calibrated: 8/24/2004
- Phantom: SAM 12; Type: SAM V4.0; Serial: TP-1150
- Measurement SW: DASY4, V4.3 Build 16; Postprocessing SW: SEMCAD, V1.8 Build 123

Middle CH Rate=6M bit/Area Scan (7x7x1): Measurement grid: dx=15mm, dy=15mm
Maximum value of SAR (measured) = 0.079 mW/g

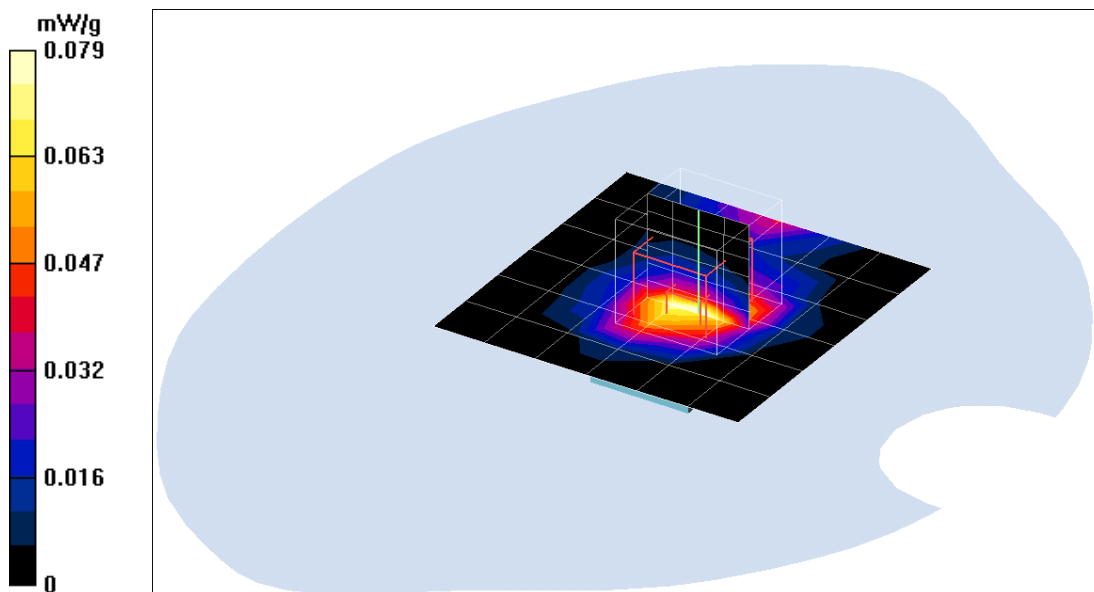
Middle CH Rate=6M bit/Zoom Scan (5x5x7)/Cube 0: Measurement grid: dx=7.5mm, dy=7.5mm, dz=5mm

Reference Value = 4.46 V/m; Power Drift = -0.2 dB

Peak SAR (extrapolated) = 0.199 W/kg

SAR(1 g) = 0.084 mW/g; SAR(10 g) = 0.040 mW/g

Maximum value of SAR (measured) = 0.090 mW/g



Test Laboratory: Compliance Certification Services Inc.

802.11g Touch mode

DUT: DWL-AG132; Type: Wireless USB Adapter; Serial: N/A

Communication System: IEEE 802.11g WLAN; Frequency: 2437 MHz; Duty Cycle: 1:1

Medium parameters used: $f = 2437$ MHz; $\sigma = 1.98$ mho/m; $\epsilon_r = 50.8$; $\rho = 1000$ kg/m³

Air Temperature: 24.5 deg C; Liquid Temperature: 23.5 deg C

Phantom section: Flat Section

Area scan setting: Find secondary maximum within 2.0 dB ; Zoom scan setting: Maximum number of cubes to measure 2

DASY4 Configuration:

- Probe: ET3DV6 - SN1763; ConvF(4.41, 4.41, 4.41); Calibrated: 3/23/2004
- Sensor-Surface: 4mm (Mechanical Surface Detection)
- Electronics: DAE3 Sn558; Calibrated: 8/24/2004
- Phantom: SAM 12; Type: SAM V4.0; Serial: TP-1150
- Measurement SW: DASY4, V4.3 Build 16; Postprocessing SW: SEMCAD, V1.8 Build 123

Middle CH Rate=54M bit/Area Scan (7x7x1): Measurement grid: dx=15mm, dy=15mm
Maximum value of SAR (measured) = 0.111 mW/g

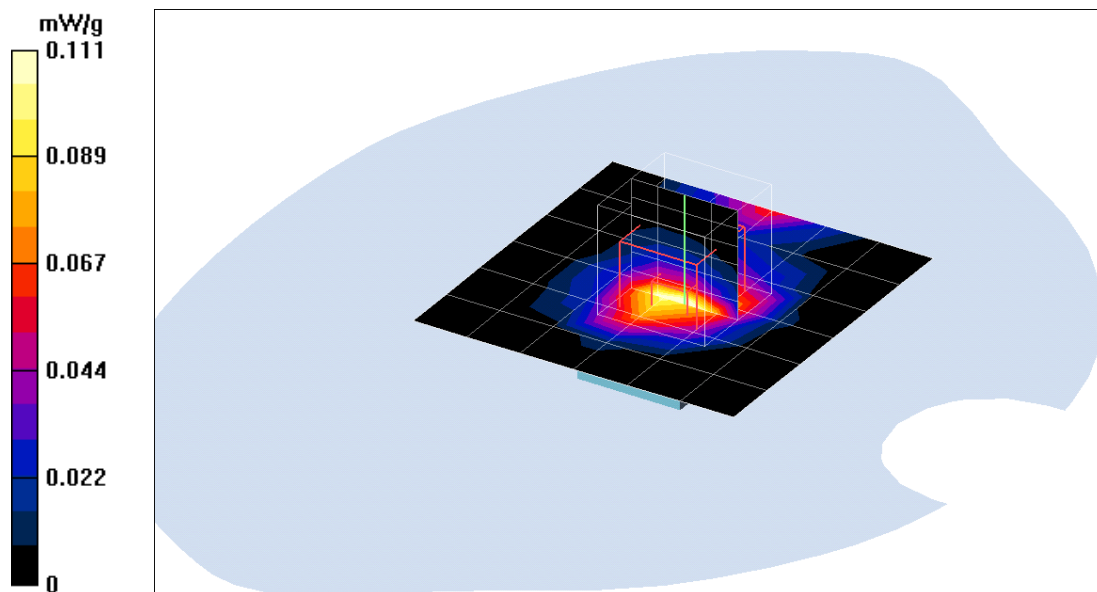
Middle CH Rate=54M bit/Zoom Scan (5x5x7)/Cube 0: Measurement grid: dx=7.5mm, dy=7.5mm, dz=5mm

Reference Value = 5.16 V/m; Power Drift = -0.3 dB

Peak SAR (extrapolated) = 0.289 W/kg

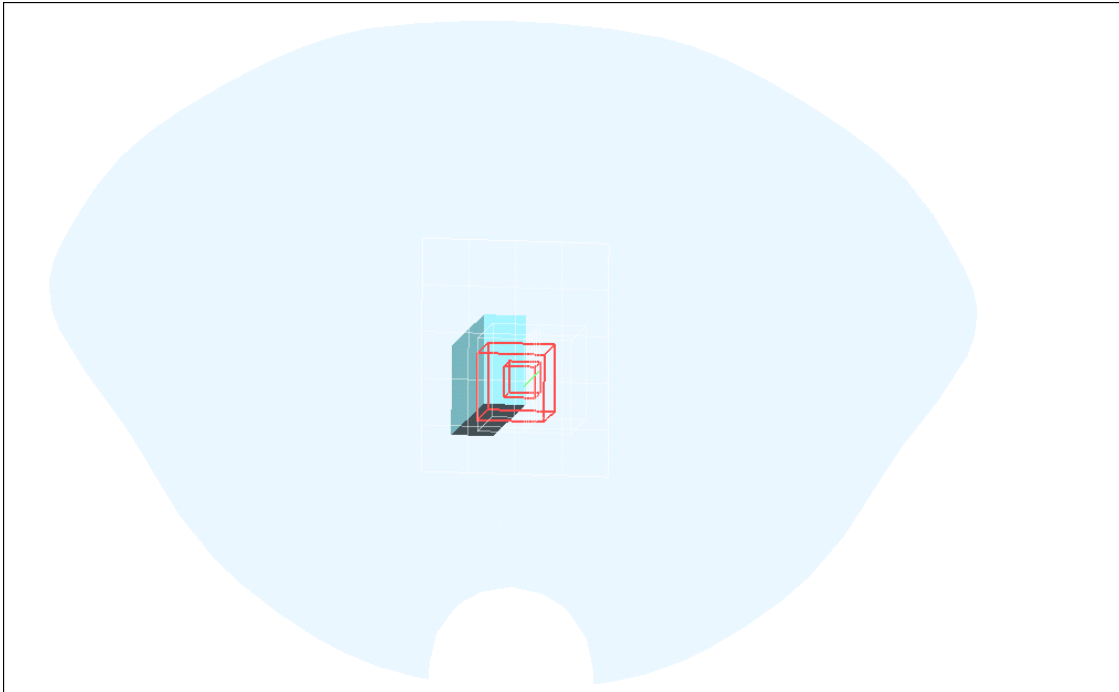
SAR(1 g) = 0.119 mW/g; SAR(10 g) = 0.055 mW/g

Maximum value of SAR (measured) = 0.127 mW/g



Test Laboratory: Compliance Certification Services Inc.

Test Configuration-2



Test Laboratory: Compliance Certification Services Inc.

802.11g 15mm mode

DUT: DWL-AG132; Type: Wireless USB Adapter; Serial: N/A

Communication System: IEEE 802.11g WLAN; Frequency: 2437 MHz; Duty Cycle: 1:1

Medium parameters used: $f = 2437 \text{ MHz}$; $\sigma = 1.98 \text{ mho/m}$; $\epsilon_r = 50.8$; $\rho = 1000 \text{ kg/m}^3$

Air Temperature: 24.5 deg C; Liquid Temperature: 23.5 deg C

Phantom section: Flat Section

Area scan setting: Find secondary maximum within 2.0 dB ; Zoom scan setting: Maximum number of cubes to measure 2

DASY4 Configuration:

- Probe: ET3DV6 - SN1763; ConvF(4.41, 4.41, 4.41); Calibrated: 3/23/2004
- Sensor-Surface: 4mm (Mechanical Surface Detection)
- Electronics: DAE3 Sn558; Calibrated: 8/24/2004
- Phantom: SAM 12; Type: SAM V4.0; Serial: TP-1150
- Measurement SW: DASY4, V4.3 Build 16; Postprocessing SW: SEMCAD, V1.8 Build 123

Middle CH Rate=6M bit/Area Scan (6x5x1): Measurement grid: $dx=15\text{mm}$, $dy=15\text{mm}$
Maximum value of SAR (measured) = 0.00901 mW/g

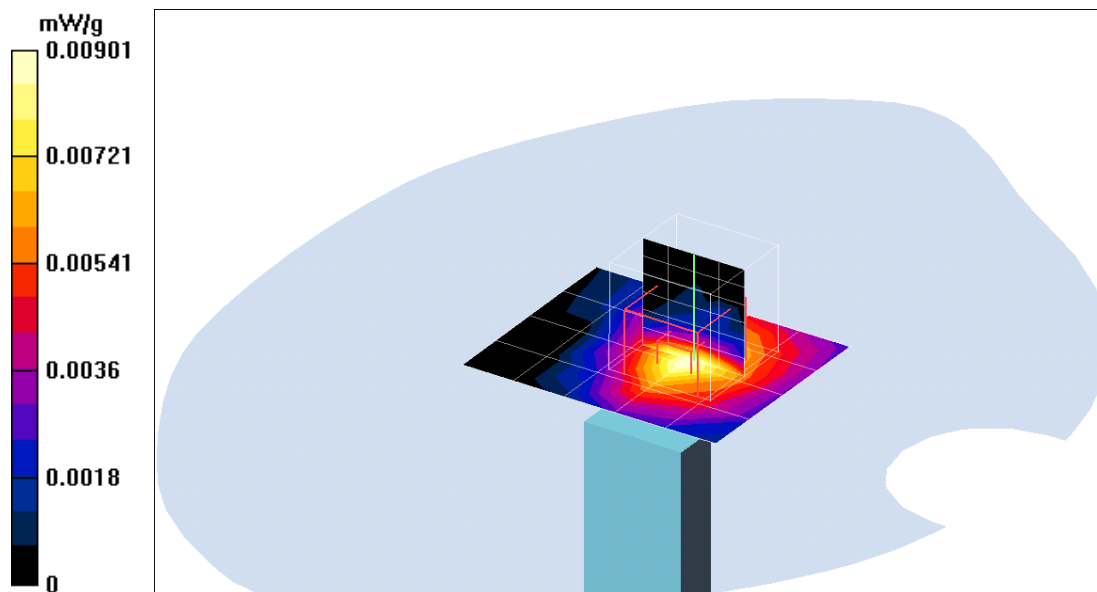
Middle CH Rate=6M bit/Zoom Scan (5x5x7)/Cube 0: Measurement grid: $dx=7.5\text{mm}$, $dy=7.5\text{mm}$,
 $dz=5\text{mm}$

Reference Value = 1.9 V/m; Power Drift = 0.2 dB

Peak SAR (extrapolated) = 0.011 W/kg

SAR(1 g) = 0.00703 mW/g; SAR(10 g) = 0.00325 mW/g

Maximum value of SAR (measured) = 0.00911 mW/g



Test Laboratory: Compliance Certification Services Inc.

802.11g 15mm mode

DUT: DWL-AG132; Type: Wireless USB Adapter; Serial: N/A

Communication System: IEEE 802.11g WLAN; Frequency: 2437 MHz; Duty Cycle: 1:1

Medium parameters used: $f = 2437 \text{ MHz}$; $\sigma = 1.98 \text{ mho/m}$; $\epsilon_r = 50.8$; $\rho = 1000 \text{ kg/m}^3$

Air Temperature: 24.5 deg C; Liquid Temperature: 23.5 deg C

Phantom section: Flat Section

Area scan setting: Find secondary maximum within 2.0 dB ; Zoom scan setting: Maximum number of cubes to measure 2

DASY4 Configuration:

- Probe: ET3DV6 - SN1763; ConvF(4.41, 4.41, 4.41); Calibrated: 3/23/2004
- Sensor-Surface: 4mm (Mechanical Surface Detection)
- Electronics: DAE3 Sn558; Calibrated: 8/24/2004
- Phantom: SAM 12; Type: SAM V4.0; Serial: TP-1150
- Measurement SW: DASY4, V4.3 Build 16; Postprocessing SW: SEMCAD, V1.8 Build 123

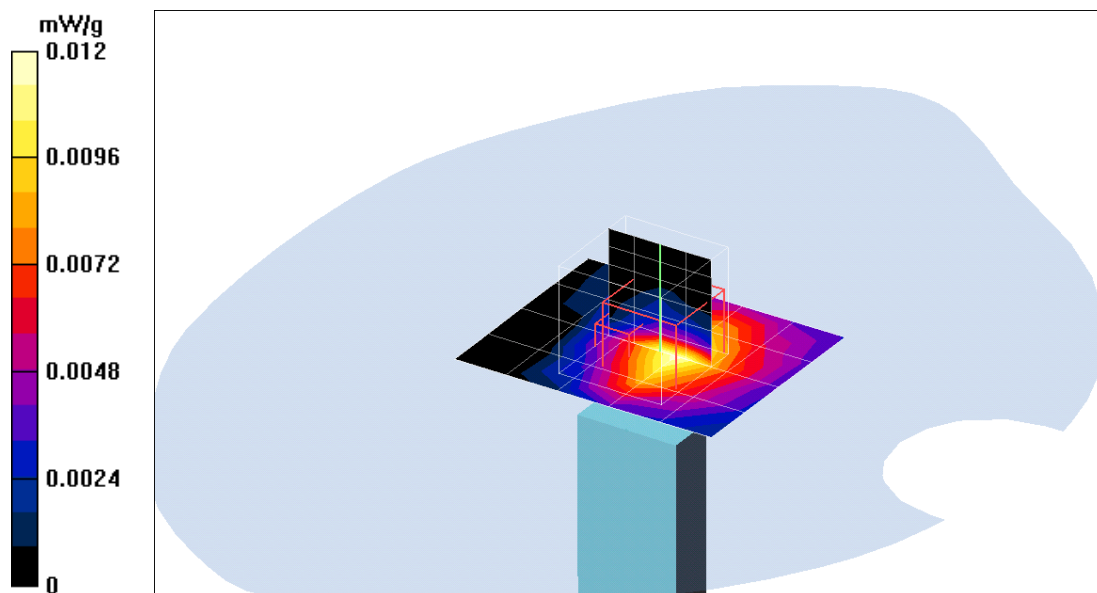
Middle CH Rate=54M bit/Area Scan (6x5x1): Measurement grid: dx=15mm, dy=15mm
Maximum value of SAR (measured) = 0.012 mW/g

Middle CH Rate=54M bit/Zoom Scan (5x5x7)/Cube 0: Measurement grid: dx=7.5mm, dy=7.5mm, dz=5mm

Reference Value = 2.28 V/m; Power Drift = -0.2 dB

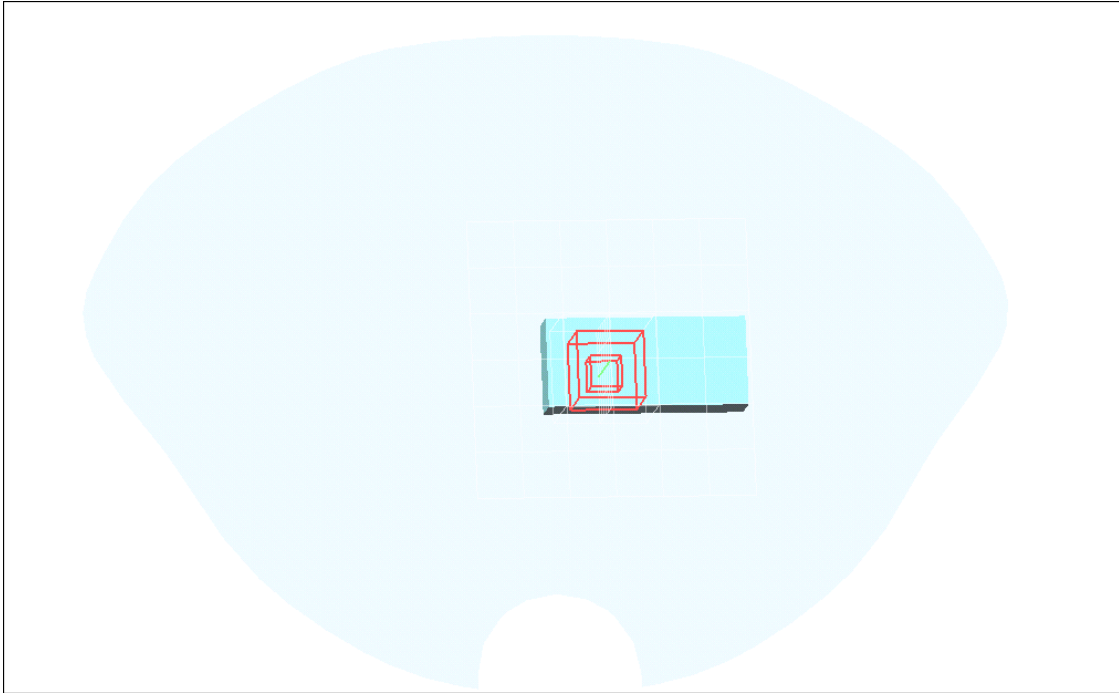
Peak SAR (extrapolated) = 0.026 W/kg

SAR(1 g) = **0.0128 mW/g**; SAR(10 g) = **0.00467 mW/g**



Test Laboratory: Compliance Certification Services Inc.

Test Configuration-1



Test Laboratory: Compliance Certification Services Inc.

802.11g Touch mode TURBO

DUT: DWL-AG132; Type: Wireless USB Adapter; Serial: N/A

Communication System: IEEE 802.11g WLAN; Frequency: 2437 MHz; Duty Cycle: 1:1

Medium parameters used: $f = 2437$ MHz; $\sigma = 1.98$ mho/m; $\epsilon_r = 50.8$; $\rho = 1000$ kg/m³

Air Temperature: 24.5 deg C; Liquid Temperature: 23.5 deg C

Phantom section: Flat Section

Area scan setting: Find secondary maximum within 2.0 dB ; Zoom scan setting: Maximum number of cubes to measure 2

DASY4 Configuration:

- Probe: ET3DV6 - SN1763; ConvF(4.41, 4.41, 4.41); Calibrated: 3/23/2004
- Sensor-Surface: 4mm (Mechanical Surface Detection) Sensor-Surface: 0mm (Fix Surface)
- Electronics: DAE3 Sn558; Calibrated: 8/24/2004
- Phantom: SAM 12; Type: SAM V4.0; Serial: TP-1150
- Measurement SW: DASY4, V4.3 Build 16; Postprocessing SW: SEMCAD, V1.8 Build 123

Middle CH Rate=12M bit/Area Scan (7x7x1): Measurement grid: dx=15mm, dy=15mm

Maximum value of SAR (measured) = 0.122 mW/g

Middle CH Rate=12M bit/Zoom Scan (5x5x7)/Cube 0: Measurement grid: dx=7.5mm, dy=7.5mm, dz=5mm

Reference Value = 5.18 V/m; Power Drift = 0.2 dB

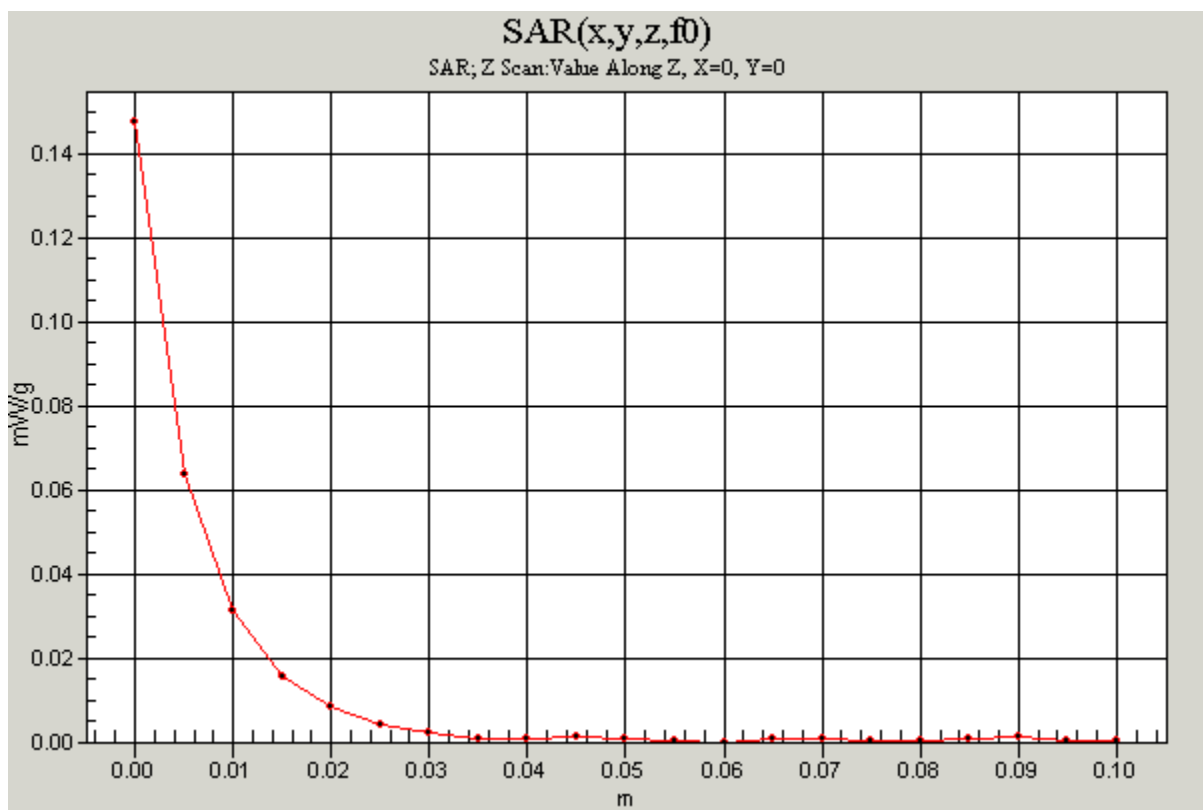
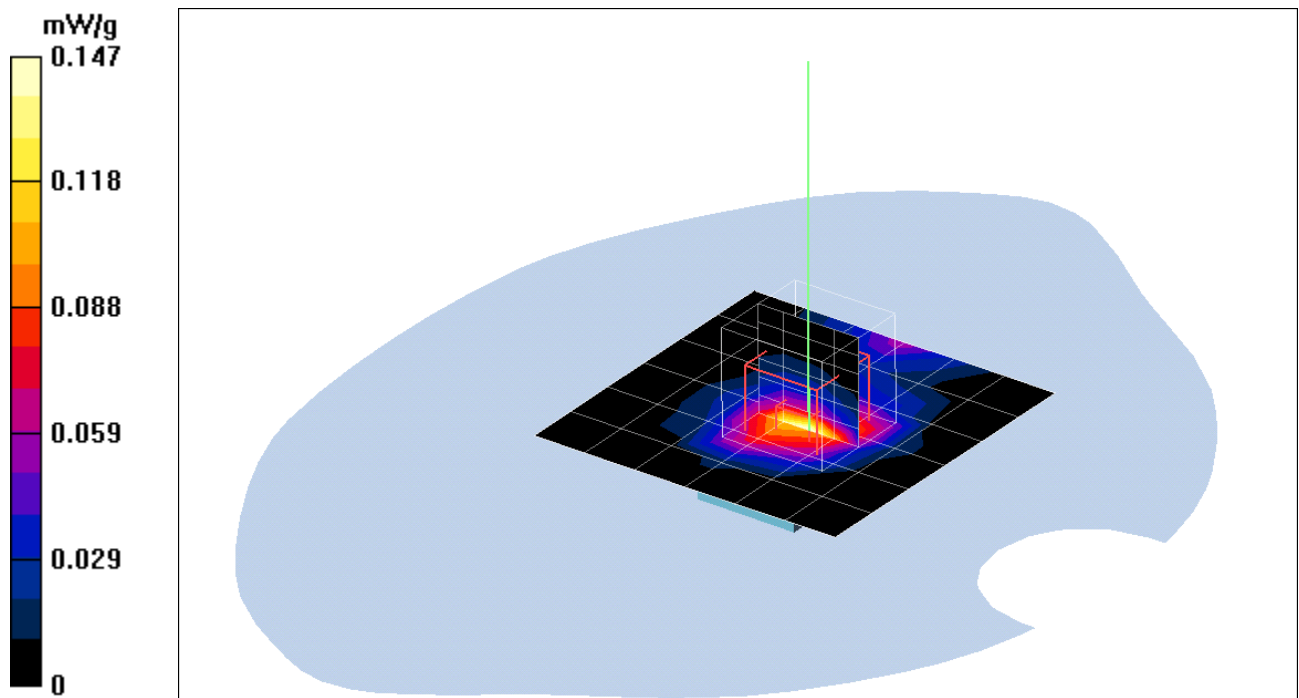
Peak SAR (extrapolated) = 0.347 W/kg

SAR(1 g) = 0.143 mW/g; SAR(10 g) = 0.066 mW/g

Maximum value of SAR (measured) = 0.154 mW/g

Middle CH Rate=12M bit/Z Scan (1x1x21): Measurement grid: dx=20mm, dy=20mm, dz=5mm

Maximum value of SAR (measured) = 0.147 mW/g



Test Laboratory: Compliance Certification Services Inc.

802.11g Touch mode TURBO

DUT: DWL-AG132; Type: Wireless USB Adapter; Serial: N/A

Communication System: IEEE 802.11g WLAN; Frequency: 2437 MHz; Duty Cycle: 1:1

Medium parameters used: $f = 2437$ MHz; $\sigma = 1.98$ mho/m; $\epsilon_r = 50.8$; $\rho = 1000$ kg/m³

Air Temperature: 24.5 deg C; Liquid Temperature: 23.5 deg C

Phantom section: Flat Section

Area scan setting: Find secondary maximum within 2.0 dB ; Zoom scan setting: Maximum number of cubes to measure 2

DASY4 Configuration:

- Probe: ET3DV6 - SN1763; ConvF(4.41, 4.41, 4.41); Calibrated: 3/23/2004
- Sensor-Surface: 4mm (Mechanical Surface Detection)
- Electronics: DAE3 Sn558; Calibrated: 8/24/2004
- Phantom: SAM 12; Type: SAM V4.0; Serial: TP-1150
- Measurement SW: DASY4, V4.3 Build 16; Postprocessing SW: SEMCAD, V1.8 Build 123

Middle CH Rate=108M bit/Area Scan (7x7x1): Measurement grid: dx=15mm, dy=15mm
Maximum value of SAR (measured) = 0.077 mW/g

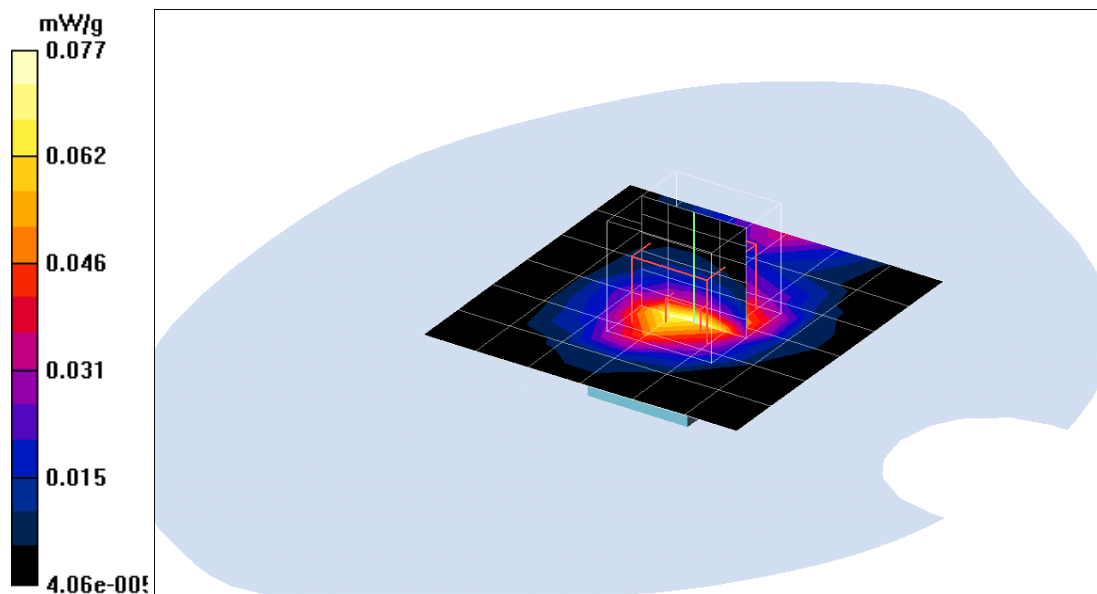
Middle CH Rate=108M bit/Zoom Scan (5x5x7)/Cube 0: Measurement grid: dx=7.5mm, dy=7.5mm, dz=5mm

Reference Value = 4.27 V/m; Power Drift = -0.2 dB

Peak SAR (extrapolated) = 0.171 W/kg

SAR(1 g) = 0.0739 mW/g; SAR(10 g) = 0.036 mW/g

Maximum value of SAR (measured) = 0.079 mW/g



Test Laboratory: Compliance Certification Services Inc.

802.11a Touch mode

DUT: DWL-AG132; Type: Wireless USB Adapter; Serial: N/A

Communication System: IEEE 802.11 A; Frequency: 5260 MHz; Duty Cycle: 1:1

Medium parameters used: $f = 5260$ MHz; $\sigma = 5.49$ mho/m; $\epsilon_r = 48.1$; $\rho = 1000$ kg/m³

Air Temperature: 25.2 deg C; Liquid Temperature: 24.2 deg C

Phantom section: Flat Section

Area scan setting: Find secondary maximum within 2.0 dB; Zoom scan setting: Maximum number of cubes to measure 2

DASY4 Configuration:

- Probe: EX3DV3 - SN3519; ConvF(4.21, 4.21, 4.21); Calibrated: 3/19/2004
- Sensor-Surface: 2.5mm (Mechanical Surface Detection)
- Electronics: DAE3 Sn558; Calibrated: 8/24/2004
- Phantom: SAM 34; Type: SAM V4.0; Serial: TP-1150
- Measurement SW: DASY4, V4.3 Build 16; Postprocessing SW: SEMCAD, V1.8 Build 123

UNII CH=5260 Rate=6Mbps/Area Scan (8x11x1): Measurement grid: dx=10mm, dy=10mm
Maximum value of SAR (measured) = 0.179 mW/g

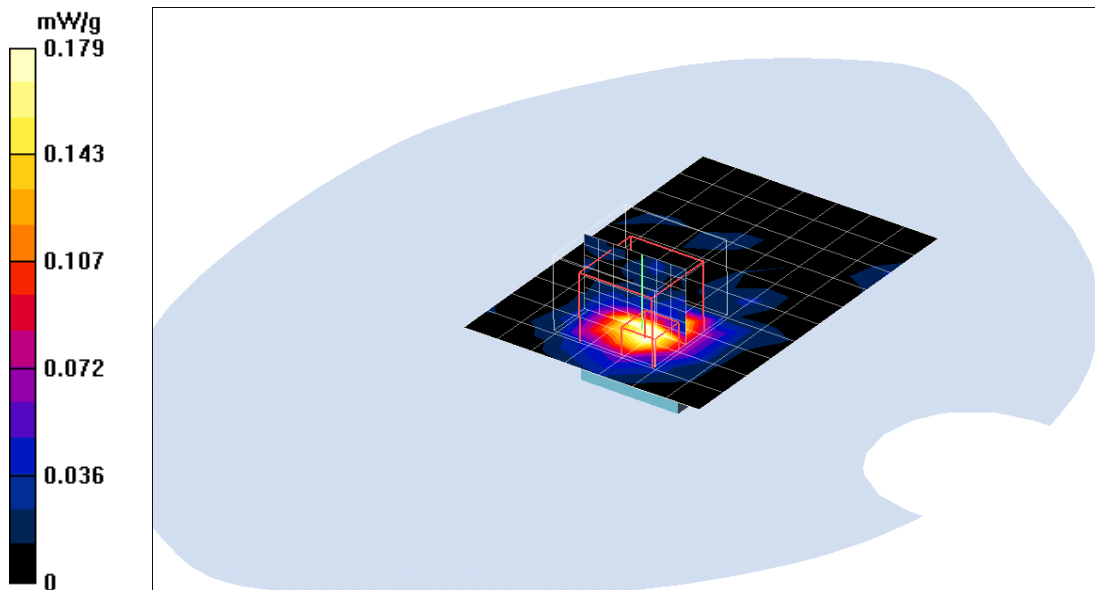
UNII CH=5260 Rate=6Mbps/Zoom Scan (8x8x8)/Cube 0: Measurement grid: dx=4.3mm, dy=4.3mm, dz=3mm

Reference Value = 5.87 V/m; Power Drift = 0.2 dB

Peak SAR (extrapolated) = 0.342 W/kg

SAR(1 g) = 0.155 mW/g; SAR(10 g) = 0.060 mW/g

Maximum value of SAR (measured) = 0.242 mW/g



Test Laboratory: Compliance Certification Services Inc.

802.11a Touch mode

DUT: DWL-AG132; Type: Wireless USB Adapter; Serial: N/A

Communication System: IEEE 802.11 A; Frequency: 5260 MHz; Duty Cycle: 1:1

Medium parameters used: $f = 5260$ MHz; $\sigma = 5.49$ mho/m; $\epsilon_r = 48.1$; $\rho = 1000$ kg/m³

Air Temperature: 25.2 deg C; Liquid Temperature: 24.2 deg C

Phantom section: Flat Section

Area scan setting: Find secondary maximum within 2.0 dB ; Zoom scan setting: Maximum number of cubes to measure 2

DASY4 Configuration:

- Probe: EX3DV3 - SN3519; ConvF(4.21, 4.21, 4.21); Calibrated: 3/19/2004
- Sensor-Surface: 2.5mm (Mechanical Surface Detection)
- Electronics: DAE3 Sn558; Calibrated: 8/24/2004
- Phantom: SAM 34; Type: SAM V4.0; Serial: TP-1150
- Measurement SW: DASY4, V4.3 Build 16; Postprocessing SW: SEMCAD, V1.8 Build 123

UNII CH=5260 Rate=54Mbps/Area Scan (8x9x1): Measurement grid: dx=10mm, dy=10mm
Maximum value of SAR (measured) = 0.253 mW/g

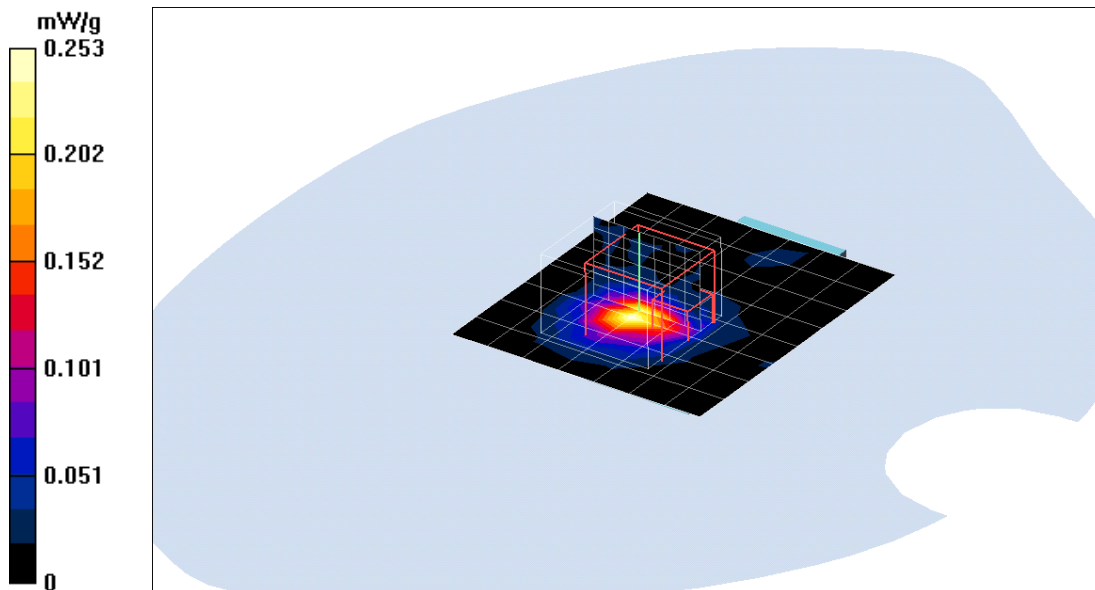
UNII CH=5260 Rate=54Mbps/Zoom Scan (8x8x8)/Cube 0: Measurement grid: dx=4.3mm, dy=4.3mm, dz=3mm

Reference Value = 5.88 V/m; Power Drift = -0.001 dB

Peak SAR (extrapolated) = 0.348 W/kg

SAR(1 g) = 0.157 mW/g; SAR(10g) = 0.060 mW/g

Maximum value of SAR (measured) = 0.244 mW/g



Test Laboratory: Compliance Certification Services Inc.

802.11a Touch mode

DUT: DWL-AG132; Type: Wireless USB Adapter; Serial: N/A

Communication System: IEEE 802.11 A; Frequency: 5250 MHz; Duty Cycle: 1:1

Medium parameters used: $f = 5250$ MHz; $\sigma = 5.49$ mho/m; $\epsilon_r = 48.1$; $\rho = 1000$ kg/m³

Air Temperature: 25.2 deg C; Liquid Temperature: 24.2 deg C

Phantom section: Flat Section

Area scan setting: Find secondary maximum within 2.0 dB; Zoom scan setting: Maximum number of cubes to measure 2

DASY4 Configuration:

- Probe: EX3DV3 - SN3519; ConvF(4.21, 4.21, 4.21); Calibrated: 3/19/2004
- Sensor-Surface: 2.5mm (Mechanical Surface Detection)
- Electronics: DAE3 Sn558; Calibrated: 8/24/2004
- Phantom: SAM 34; Type: SAM V4.0; Serial: TP-1150
- Measurement SW: DASY4, V4.3 Build 16; Postprocessing SW: SEMCAD, V1.8 Build 123

UNII CH=5250 Rate=12Mbps/Area Scan (6x10x1): Measurement grid: dx=10mm, dy=10mm
Maximum value of SAR (measured) = 0.197 mW/g

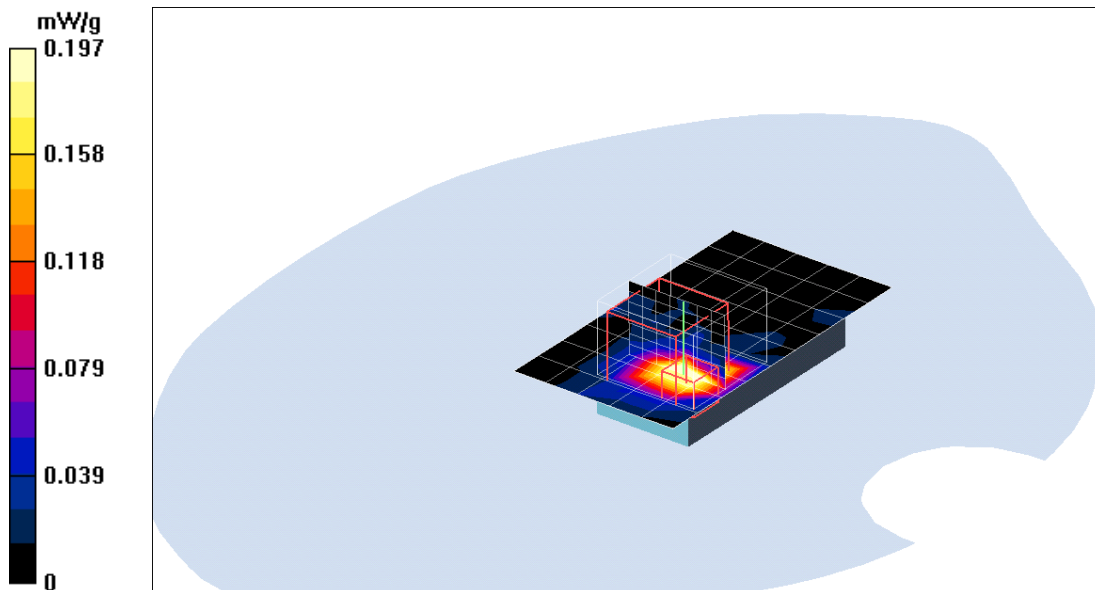
UNII CH=5250 Rate=12Mbps/Zoom Scan (8x8x8)/Cube 0: Measurement grid: dx=4.3mm, dy=4.3mm, dz=3mm

Reference Value = 4.32 V/m; Power Drift = 0.2 dB

Peak SAR (extrapolated) = 0.382 W/kg

SAR(1 g) = 0.185 mW/g; SAR(10 g) = 0.071 mW/g

Maximum value of SAR (measured) = 0.289 mW/g



Test Laboratory: Compliance Certification Services Inc.

802.11a Touch mode

DUT: DWL-AG132; Type: Wireless USB Adapter; Serial: N/A

Communication System: IEEE 802.11 A; Frequency: 5250 MHz; Duty Cycle: 1:1

Medium parameters used: $f = 5250$ MHz; $\sigma = 5.49$ mho/m; $\epsilon_r = 48.1$; $\rho = 1000$ kg/m³

Air Temperature: 25.2 deg C; Liquid Temperature: 24.2 deg C

Phantom section: Flat Section

Area scan setting: Find secondary maximum within 2.0 dB ; Zoom scan setting: Maximum number of cubes to measure 2

DASY4 Configuration:

- Probe: EX3DV3 - SN3519; ConvF(4.21, 4.21, 4.21); Calibrated: 3/19/2004
- Sensor-Surface: 2.5mm (Mechanical Surface Detection)
- Electronics: DAE3 Sn558; Calibrated: 8/24/2004
- Phantom: SAM 34; Type: SAM V4.0; Serial: TP-1150
- Measurement SW: DASY4, V4.3 Build 16; Postprocessing SW: SEMCAD, V1.8 Build 123

UNII CH=5250 Rate=108Mbps/Area Scan (8x9x1): Measurement grid: dx=10mm, dy=10mm
Maximum value of SAR (measured) = 0.217 mW/g

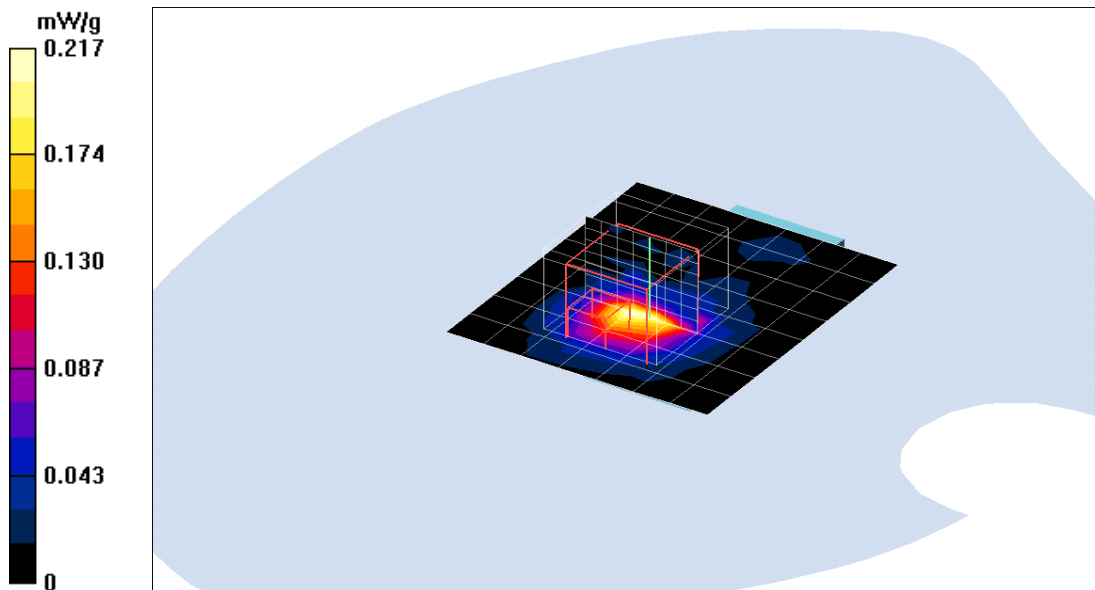
UNII CH=5250 Rate=108Mbps/Zoom Scan (8x8x8)/Cube 0: Measurement grid: dx=4.3mm, dy=4.3mm, dz=3mm

Reference Value = 6.97 V/m; Power Drift = -0.2 dB

Peak SAR (extrapolated) = 0.301 W/kg

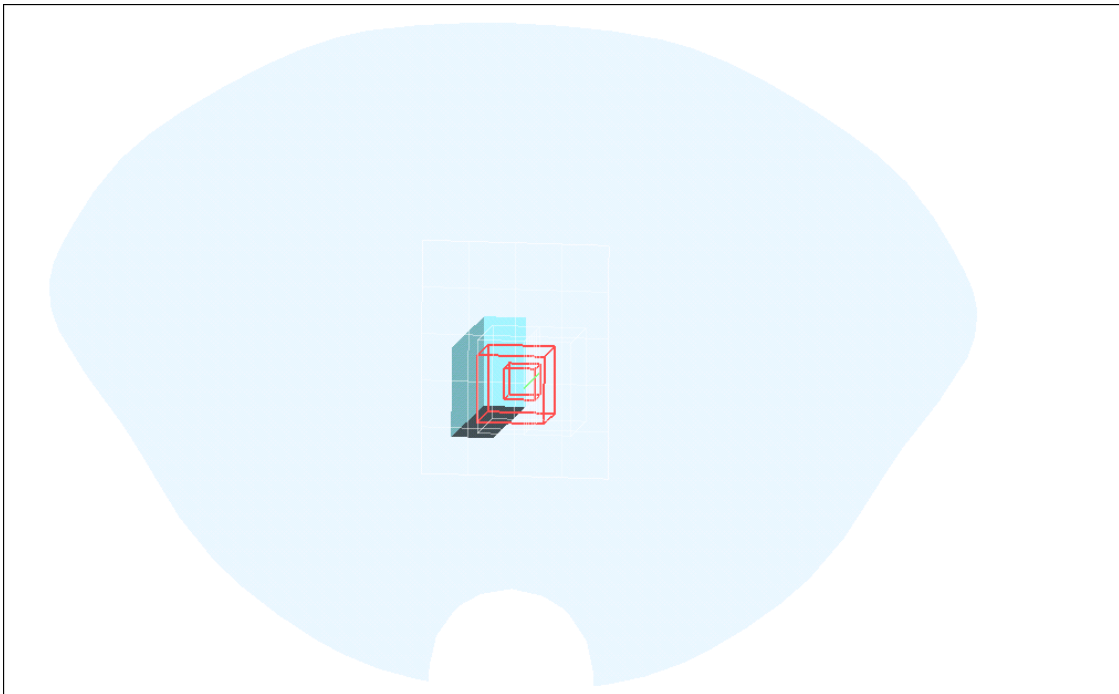
SAR(1 g) = 0.144 mW/g; SAR(10 g) = 0.056 mW/g

Maximum value of SAR (measured) = 0.225 mW/g



Test Laboratory: Compliance Certification Services Inc.

Test Configuration-2



Test Laboratory: Compliance Certification Services Inc.

802.11a 15mm mode

DUT: DWL-AG132; Type: Wireless USB Adapter; Serial: N/A

Communication System: IEEE 802.11 A; Frequency: 5260 MHz; Duty Cycle: 1:1

Medium parameters used: $f = 5260$ MHz; $\sigma = 5.49$ mho/m; $\epsilon_r = 48.1$; $\rho = 1000$ kg/m³

Air Temperature: 25.2 deg C; Liquid Temperature: 24.2 deg C

Phantom section: Flat Section

Area scan setting: Find secondary maximum within 2.0 dB ; Zoom scan setting: Maximum number of cubes to measure 2

DASY4 Configuration:

- Probe: EX3DV3 - SN3519; ConvF(4.21, 4.21, 4.21); Calibrated: 3/19/2004
- Sensor-Surface: 2.5mm (Mechanical Surface Detection)
- Electronics: DAE3 Sn558; Calibrated: 8/24/2004
- Phantom: SAM 34; Type: SAM V4.0; Serial: TP-1150
- Measurement SW: DASY4, V4.3 Build 16; Postprocessing SW: SEMCAD, V1.8 Build 123

UNII CH=5260 Rate=6Mbps/Area Scan (10x8x1): Measurement grid: dx=10mm, dy=10mm
Maximum value of SAR (measured) = 0.146 mW/g

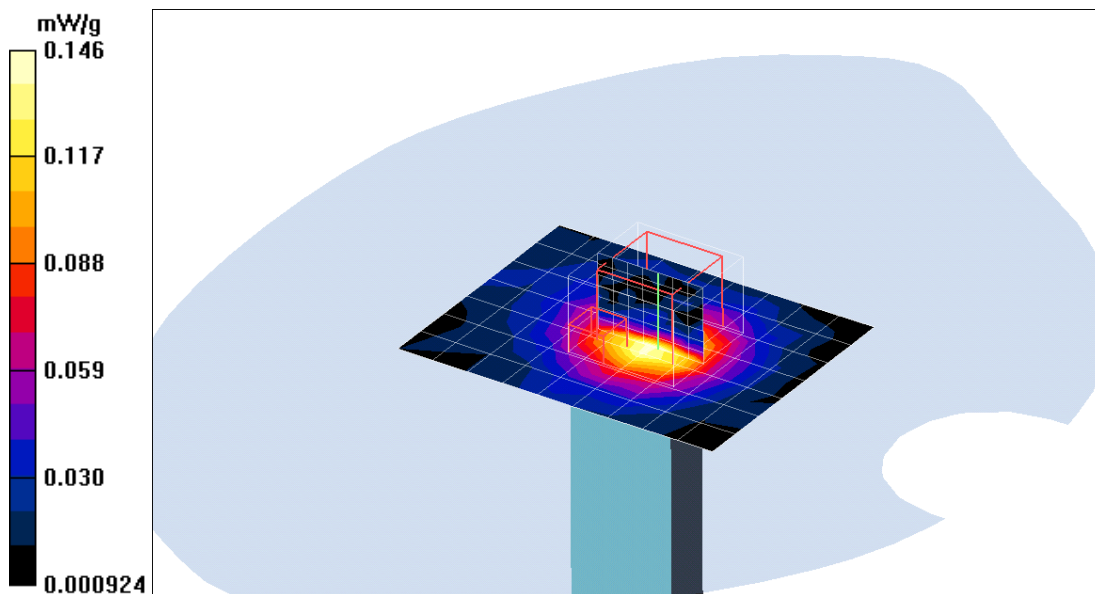
UNII CH=5260 Rate=6Mbps/Zoom Scan (8x8x8)/Cube 0: Measurement grid: dx=4.3mm, dy=4.3mm, dz=3mm

Reference Value = 5.71 V/m; Power Drift = -0.2 dB

Peak SAR (extrapolated) = 0.206 W/kg

SAR(1 g) = 0.096 mW/g; SAR(10 g) = 0.037 mW/g

Maximum value of SAR (measured) = 0.149 mW/g



Test Laboratory: Compliance Certification Services Inc.

802.11a 15mm mode

DUT: DWL-AG132; Type: Wireless USB Adapter; Serial: N/A

Communication System: IEEE 802.11 A; Frequency: 5260 MHz; Duty Cycle: 1:1

Medium parameters used: $f = 5260$ MHz; $\sigma = 5.49$ mho/m; $\epsilon_r = 48.1$; $\rho = 1000$ kg/m³

Air Temperature: 25.2 deg C; Liquid Temperature: 24.2 deg C

Phantom section: Flat Section

Area scan setting: Find secondary maximum within 2.0 dB ; Zoom scan setting: Maximum number of cubes to measure 2

DASY4 Configuration:

- Probe: EX3DV3 - SN3519; ConvF(4.21, 4.21, 4.21); Calibrated: 3/19/2004
- Sensor-Surface: 2.5mm (Mechanical Surface Detection)
- Electronics: DAE3 Sn558; Calibrated: 8/24/2004
- Phantom: SAM 34; Type: SAM V4.0; Serial: TP-1150
- Measurement SW: DASY4, V4.3 Build 16; Postprocessing SW: SEMCAD, V1.8 Build 123

UNII CH=5260 Rate=54Mbps/Area Scan (10x8x1): Measurement grid: dx=10mm, dy=10mm
Maximum value of SAR (measured) = 0.156 mW/g

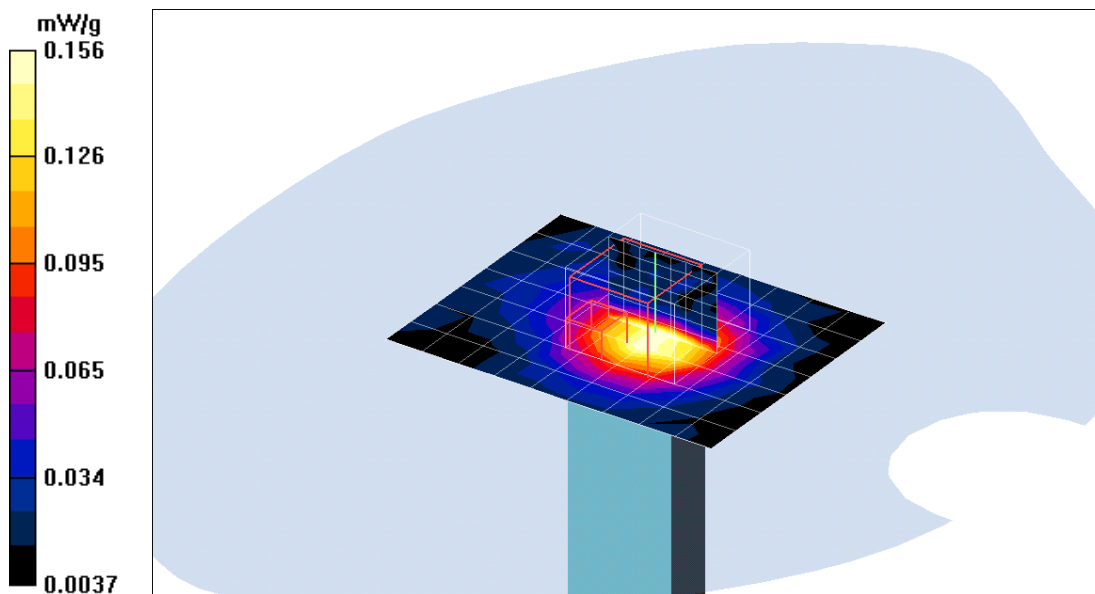
UNII CH=5260 Rate=54Mbps/Zoom Scan (8x8x8)/Cube 0: Measurement grid: dx=4.3mm, dy=4.3mm, dz=3mm

Reference Value = 5.67 V/m; Power Drift = 0.1 dB

Peak SAR (extrapolated) = 0.245 W/kg

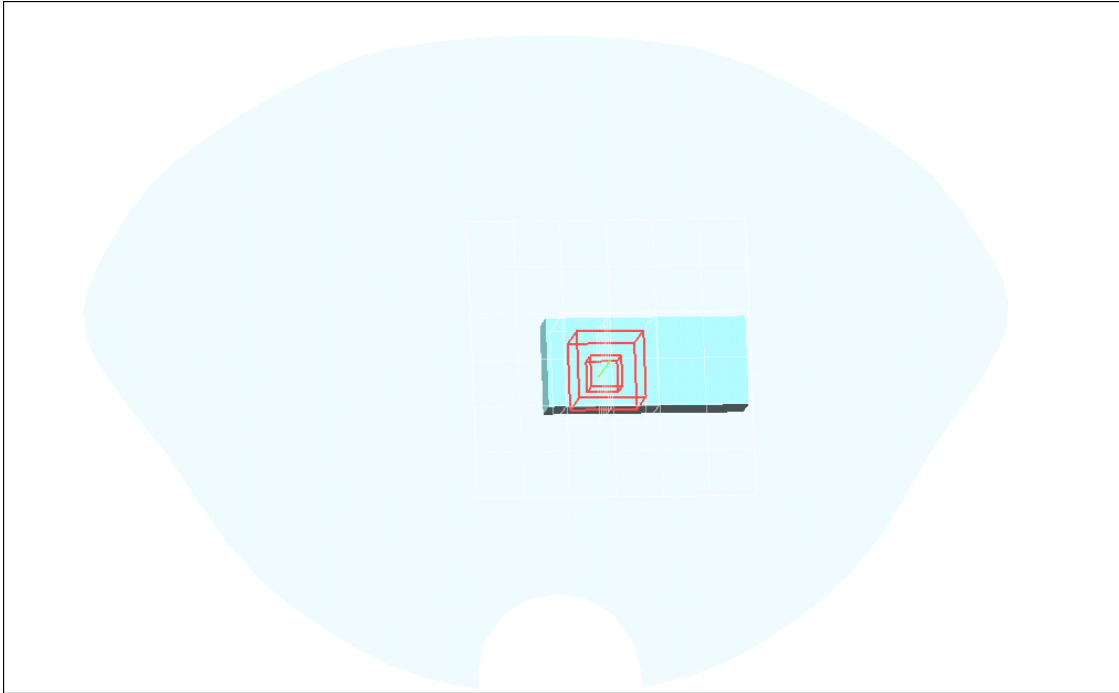
SAR(1 g) = 0.110 mW/g; SAR(10 g) = 0.042mW/g

Maximum value of SAR (measured) = 0.172 mW/g



Test Laboratory: Compliance Certification Services Inc.

Test Configuration-1



Test Laboratory: Compliance Certification Services Inc.

802.11a Touch mode

DUT: DWL-AG132; Type: Wireless USB Adapter; Serial: N/A

Communication System: IEEE 802.11 A; Frequency: 5785 MHz; Duty Cycle: 1:1

Medium parameters used: $f = 5785 \text{ MHz}$; $\sigma = 6.26 \text{ mho/m}$; $\epsilon_r = 47.1$; $\rho = 1000 \text{ kg/m}^3$

Air Temperature: 25.2 deg C; Liquid Temperature: 24.2 deg C

Phantom section: Flat Section

Area scan setting: Find secondary maximum within 2.0 dB ; Zoom scan setting: Maximum number of cubes to measure 2

DASY4 Configuration:

- Probe: EX3DV3 - SN3519; ConvF(3.82, 3.82, 3.82); Calibrated: 3/19/2004
- Sensor-Surface: 2.5mm (Mechanical Surface Detection)
- Electronics: DAE3 Sn558; Calibrated: 8/24/2004
- Phantom: SAM 34; Type: SAM V4.0; Serial: TP-1150
- Measurement SW: DASY4, V4.3 Build 16; Postprocessing SW: SEMCAD, V1.8 Build 123

DTS CH=5785 Rate=6Mbps/Area Scan (6x10x1): Measurement grid: dx=10mm, dy=10mm
Maximum value of SAR (measured) = 0.556 mW/g

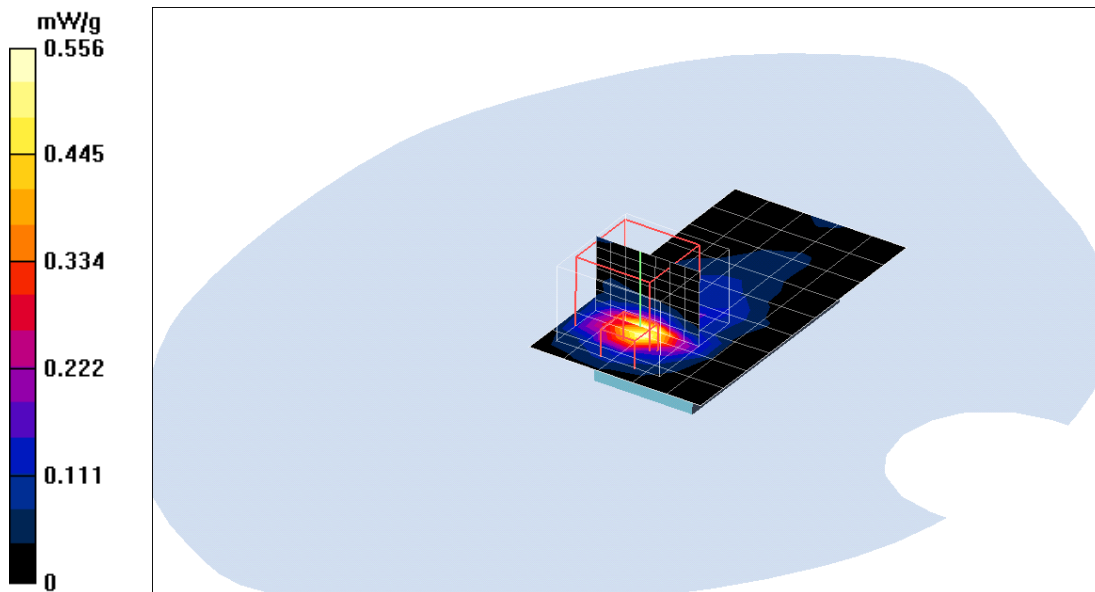
DTS CH=5785 Rate=6Mbps/Zoom Scan (8x8x8)/Cube 0: Measurement grid: dx=4.3mm, dy=4.3mm, dz=3mm

Reference Value = 10.2 V/m; Power Drift = -0.1 dB

Peak SAR (extrapolated) = 0.585 W/kg

SAR(1 g) = 0.282 mW/g; SAR(10 g) = 0.102 mW/g

Maximum value of SAR (measured) = 0.569 mW/g



Test Laboratory: Compliance Certification Services Inc.

802.11a Touch mode

DUT: DWL-AG132; Type: Wireless USB Adapter; Serial: N/A

Communication System: IEEE 802.11 A; Frequency: 5785 MHz; Duty Cycle: 1:1

Medium parameters used: $f = 5785 \text{ MHz}$; $\sigma = 6.26 \text{ mho/m}$; $\epsilon_r = 47.1$; $\rho = 1000 \text{ kg/m}^3$

Air Temperature: 25.2 deg C; Liquid Temperature: 24.2 deg C

Phantom section: Flat Section

Area scan setting: Find secondary maximum within 2.0 dB ; Zoom scan setting: Maximum number of cubes to measure 2

DASY4 Configuration:

- Probe: EX3DV3 - SN3519; ConvF(3.82, 3.82, 3.82); Calibrated: 3/19/2004
- Sensor-Surface: 2.5mm (Mechanical Surface Detection)
- Electronics: DAE3 Sn558; Calibrated: 8/24/2004
- Phantom: SAM 34; Type: SAM V4.0; Serial: TP-1150
- Measurement SW: DASY4, V4.3 Build 16; Postprocessing SW: SEMCAD, V1.8 Build 123

DTS CH=5785 Rate=54Mbps/Area Scan (7x9x1): Measurement grid: dx=10mm, dy=10mm
Maximum value of SAR (measured) = 0.309 mW/g

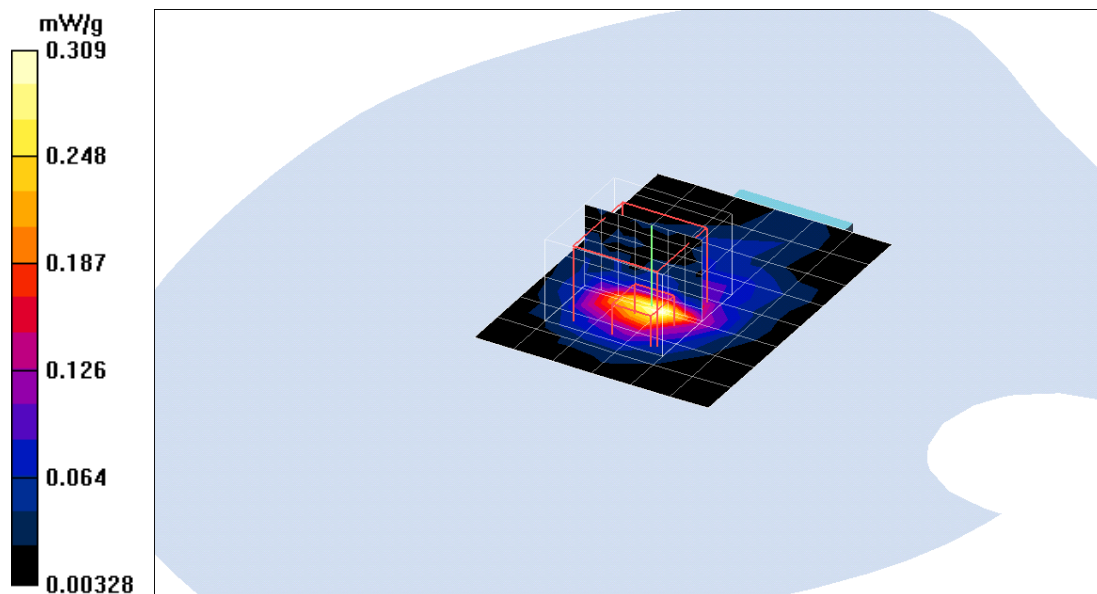
DTS CH=5785 Rate=54Mbps/Zoom Scan (8x8x8)/Cube 0: Measurement grid: dx=4.3mm, dy=4.3mm, dz=3mm

Reference Value = 6.42 V/m; Power Drift = -0.2 dB

Peak SAR (extrapolated) = 0.325 W/kg

SAR(1 g) = 0.144 mW/g; SAR(10 g) = 0.052 mW/g

Maximum value of SAR (measured) = 0.290 mW/g



Test Laboratory: Compliance Certification Services Inc.

802.11a Touch mode

DUT: DWL-AG132; Type: Wireless USB Adapter; Serial: N/A

Communication System: IEEE 802.11 A; Frequency: 5800 MHz; Duty Cycle: 1:1

Medium parameters used: $f = 5800$ MHz; $\sigma = 6.26$ mho/m; $\epsilon_r = 47.1$; $\rho = 1000$ kg/m³

Air Temperature: 25.2 deg C; Liquid Temperature: 24.2 deg C

Phantom section: Flat Section

Area scan setting: Find secondary maximum within 2.0 dB ; Zoom scan setting: Maximum number of cubes to measure 2

DASY4 Configuration:

- Probe: EX3DV3 - SN3519; ConvF(3.82, 3.82, 3.82); Calibrated: 3/19/2004
- Sensor-Surface: 2.5mm (Mechanical Surface Detection) Sensor-Surface: 0mm (Fix Surface)
- Electronics: DAE3 Sn558; Calibrated: 8/24/2004
- Phantom: SAM 34; Type: SAM V4.0; Serial: TP-1150
- Measurement SW: DASY4, V4.3 Build 16; Postprocessing SW: SEMCAD, V1.8 Build 123

DTS CH=5800 Rate=12Mbps/Area Scan (6x10x1): Measurement grid:

dx=10mm, dy=10mm

Maximum value of SAR (measured) = 0.659 mW/g

DTS CH=5800 Rate=12Mbps/Z Scan (1x1x21): Measurement grid: dx=20mm,

dy=20mm, dz=5mm

Maximum value of SAR (measured) = 1.2 mW/g

DTS CH=5800 Rate=12Mbps/Zoom Scan (8x8x8)/Cube 0: Measurement

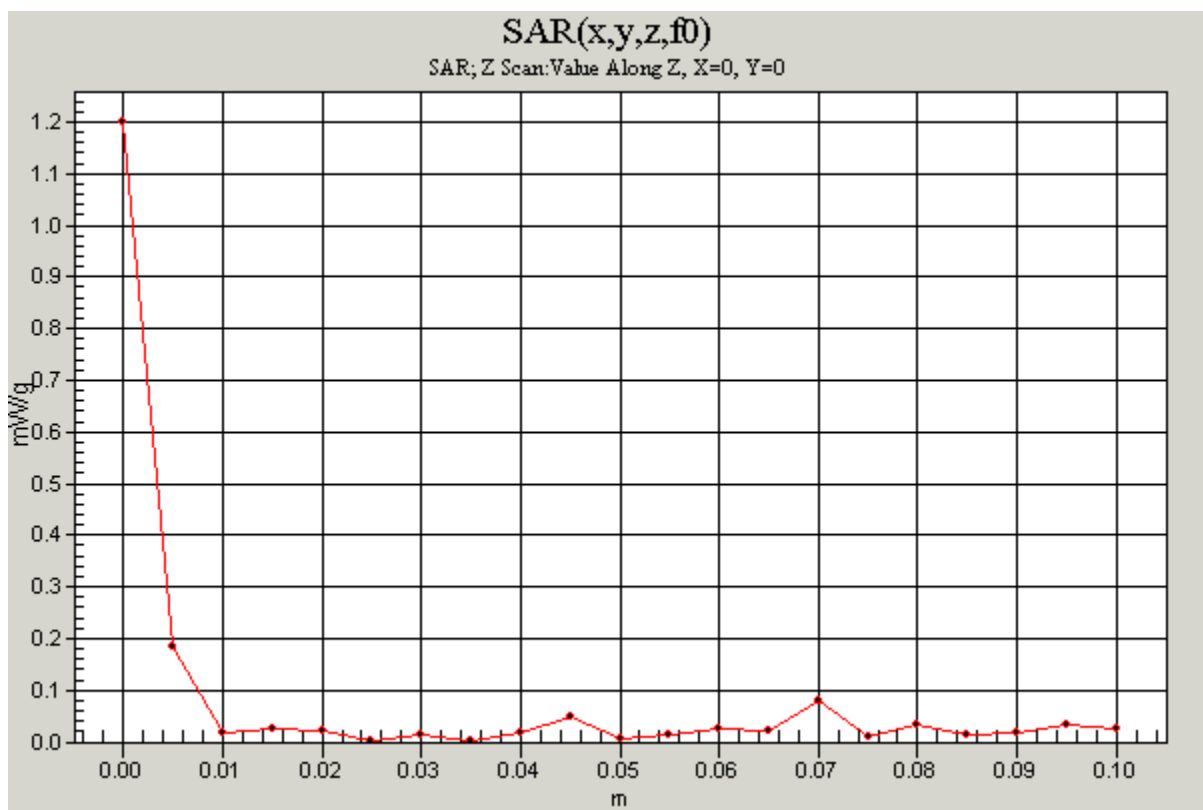
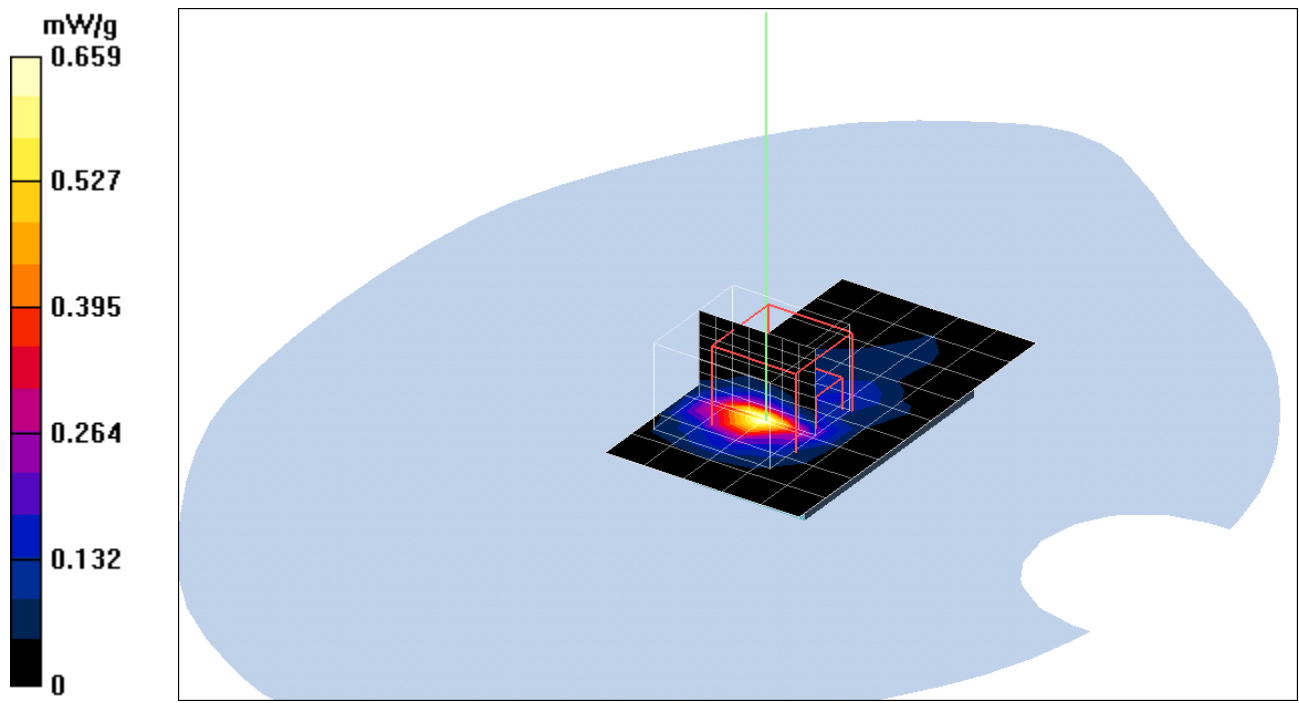
grid: dx=4.3mm, dy=4.3mm, dz=3mm

Reference Value = 8.88 V/m; Power Drift = 0.0 dB

Peak SAR (extrapolated) = 0.696 W/kg

SAR(1 g) = 0.336 mW/g; SAR(10 g) = 0.122 mW/g

Maximum value of SAR (measured) = 0.678 mW/g



Test Laboratory: Compliance Certification Services Inc.

802.11a Touch mode

DUT: DWL-AG132; Type: Wireless USB Adapter; Serial: N/A

Communication System: IEEE 802.11 A; Frequency: 5800 MHz; Duty Cycle: 1:1

Medium parameters used: $f = 5800$ MHz; $\sigma = 6.26$ mho/m; $\epsilon_r = 47.1$; $\rho = 1000$ kg/m³

Air Temperature: 25.2 deg C; Liquid Temperature: 24.2 deg C

Phantom section: Flat Section

Area scan setting: Find secondary maximum within 2.0 dB ; Zoom scan setting: Maximum number of cubes to measure 2

DASY4 Configuration:

- Probe: EX3DV3 - SN3519; ConvF(3.82, 3.82, 3.82); Calibrated: 3/19/2004
- Sensor-Surface: 2.5mm (Mechanical Surface Detection)
- Electronics: DAE3 Sn558; Calibrated: 8/24/2004
- Phantom: SAM 34; Type: SAM V4.0; Serial: TP-1150
- Measurement SW: DASY4, V4.3 Build 16; Postprocessing SW: SEMCAD, V1.8 Build 123

DTS CH=5800 Rate=108Mbps/Area Scan (6x10x1): Measurement grid: dx=10mm, dy=10mm
Maximum value of SAR (measured) = 0.325 mW/g

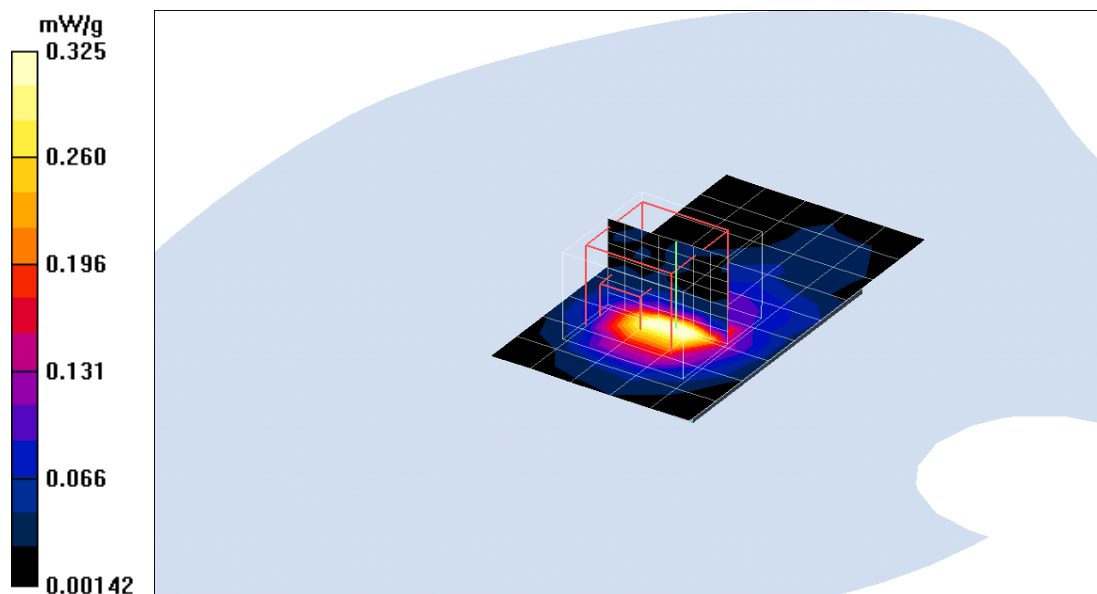
DTS CH=5800 Rate=108Mbps/Zoom Scan (8x8x8)/Cube 0: Measurement grid: dx=4.3mm, dy=4.3mm, dz=3mm

Reference Value = 6.68 V/m; Power Drift = -0.2 dB

Peak SAR (extrapolated) = 0.388 W/kg

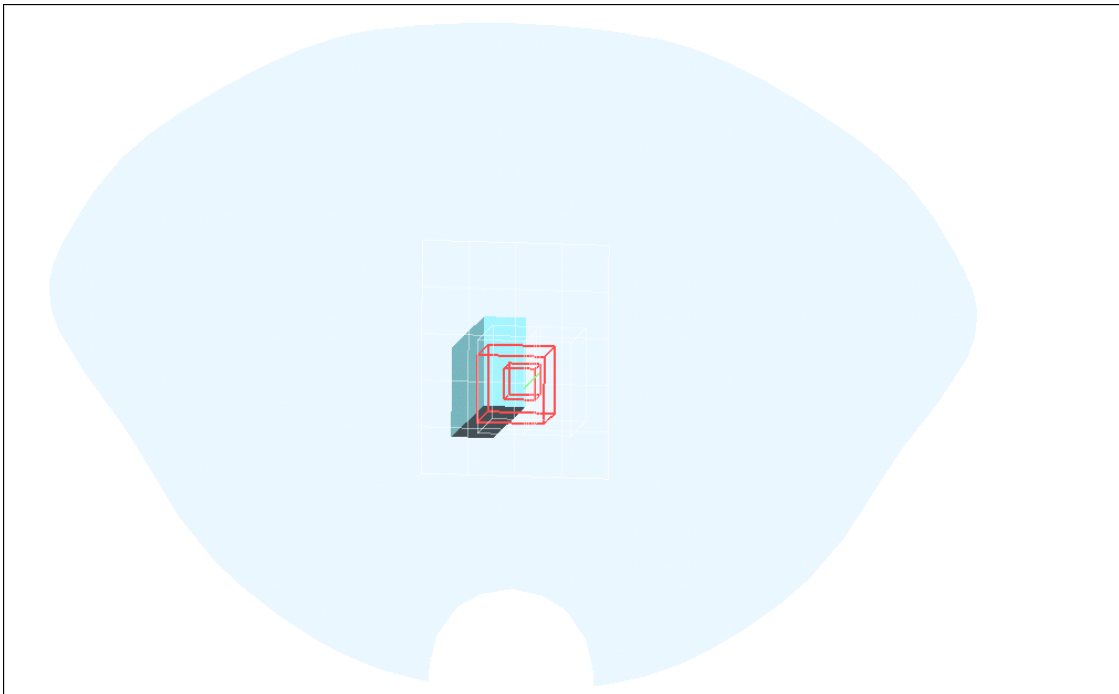
SAR(1 g) = 0.178 mW/g; SAR(10 g) = 0.064 mW/g

Maximum value of SAR (measured) = 0.358 mW/g



Test Laboratory: Compliance Certification Services Inc.

Test Configuration-2



Test Laboratory: Compliance Certification Services Inc.

802.11a 15mm mode

DUT: DWL-AG132; Type: Wireless USB Adapter; Serial: N/A

Communication System: IEEE 802.11 A; Frequency: 5785 MHz; Duty Cycle: 1:1

Medium parameters used: $f = 5785 \text{ MHz}$; $\sigma = 6.26 \text{ mho/m}$; $\epsilon_r = 47.1$; $\rho = 1000 \text{ kg/m}^3$

Air Temperature: 25.2 deg C; Liquid Temperature: 24.2 deg C

Phantom section: Flat Section

Area scan setting: Find secondary maximum within 2.0 dB ; Zoom scan setting: Maximum number of cubes to measure 2

DASY4 Configuration:

- Probe: EX3DV3 - SN3519; ConvF(3.82, 3.82, 3.82); Calibrated: 3/19/2004
- Sensor-Surface: 2.5mm (Mechanical Surface Detection)
- Electronics: DAE3 Sn558; Calibrated: 8/24/2004
- Phantom: SAM 34; Type: SAM V4.0; Serial: TP-1150
- Measurement SW: DASY4, V4.3 Build 16; Postprocessing SW: SEMCAD, V1.8 Build 123

DTS CH=5785 Rate=6Mbps/Area Scan (10x7x1): Measurement grid: dx=10mm, dy=10mm
Maximum value of SAR (measured) = 0.193 mW/g

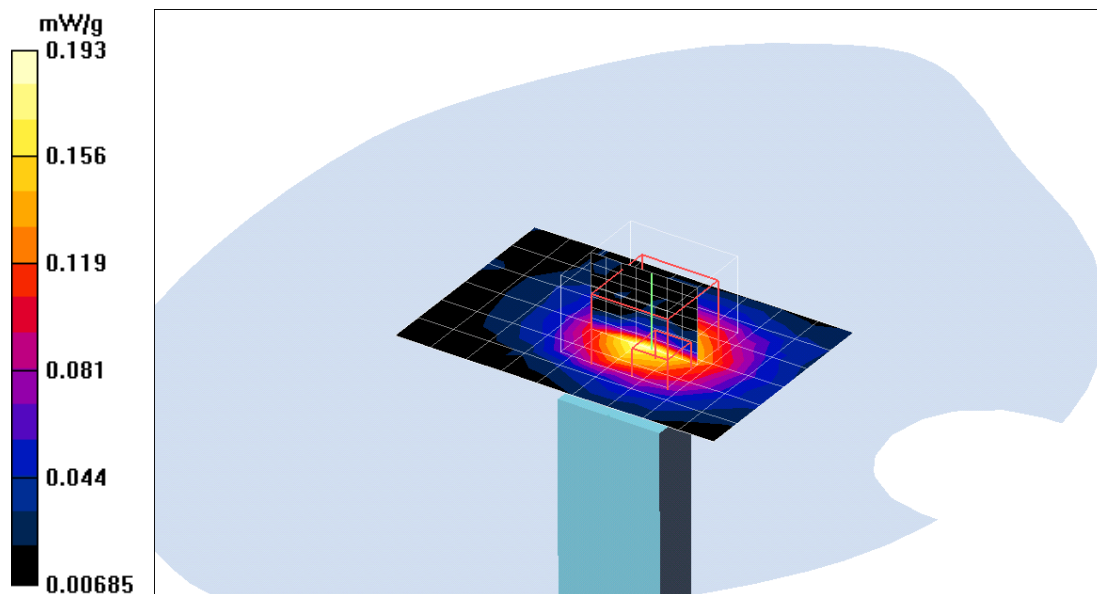
DTS CH=5785 Rate=6Mbps/Zoom Scan (8x8x8)/Cube 0: Measurement grid: dx=4.3mm, dy=4.3mm, dz=3mm

Reference Value = 5.29 V/m; Power Drift = -0.1 dB

Peak SAR (extrapolated) = 0.203 W/kg

SAR(1 g) = 0.097 mW/g; SAR(10 g) = 0.035 mW/g

Maximum value of SAR (measured) = 0.195 mW/g



Test Laboratory: Compliance Certification Services Inc.

802.11a 15mm mode

DUT: DWL-AG132; Type: Wireless USB Adapter; Serial: N/A

Communication System: IEEE 802.11 A; Frequency: 5785 MHz; Duty Cycle: 1:1

Medium parameters used: $f = 5785 \text{ MHz}$; $\sigma = 6.26 \text{ mho/m}$; $\epsilon_r = 47.1$; $\rho = 1000 \text{ kg/m}^3$

Air Temperature: 25.2 deg C; Liquid Temperature: 24.2 deg C

Phantom section: Flat Section

Area scan setting: Find secondary maximum within 2.0 dB ; Zoom scan setting: Maximum number of cubes to measure 2

DASY4 Configuration:

- Probe: EX3DV3 - SN3519; ConvF(3.82, 3.82, 3.82); Calibrated: 3/19/2004
- Sensor-Surface: 2.5mm (Mechanical Surface Detection)
- Electronics: DAE3 Sn558; Calibrated: 8/24/2004
- Phantom: SAM 34; Type: SAM V4.0; Serial: TP-1150
- Measurement SW: DASY4, V4.3 Build 16; Postprocessing SW: SEMCAD, V1.8 Build 123

DTS CH=5785 Rate=54Mbps/Area Scan (8x7x1): Measurement grid: dx=10mm, dy=10mm
Maximum value of SAR (measured) = 0.234 mW/g

DTS CH=5785 Rate=54Mbps/Zoom Scan (8x8x8)/Cube 0: Measurement grid: dx=4.3mm, dy=4.3mm, dz=3mm

Reference Value = 5.67 V/m; Power Drift = 0.2 dB

Peak SAR (extrapolated) = 0.255 W/kg

SAR(1 g) = 0.119 mW/g; SAR(10 g) = 0.043 mW/g

Maximum value of SAR (measured) = 0.239 mW/g

