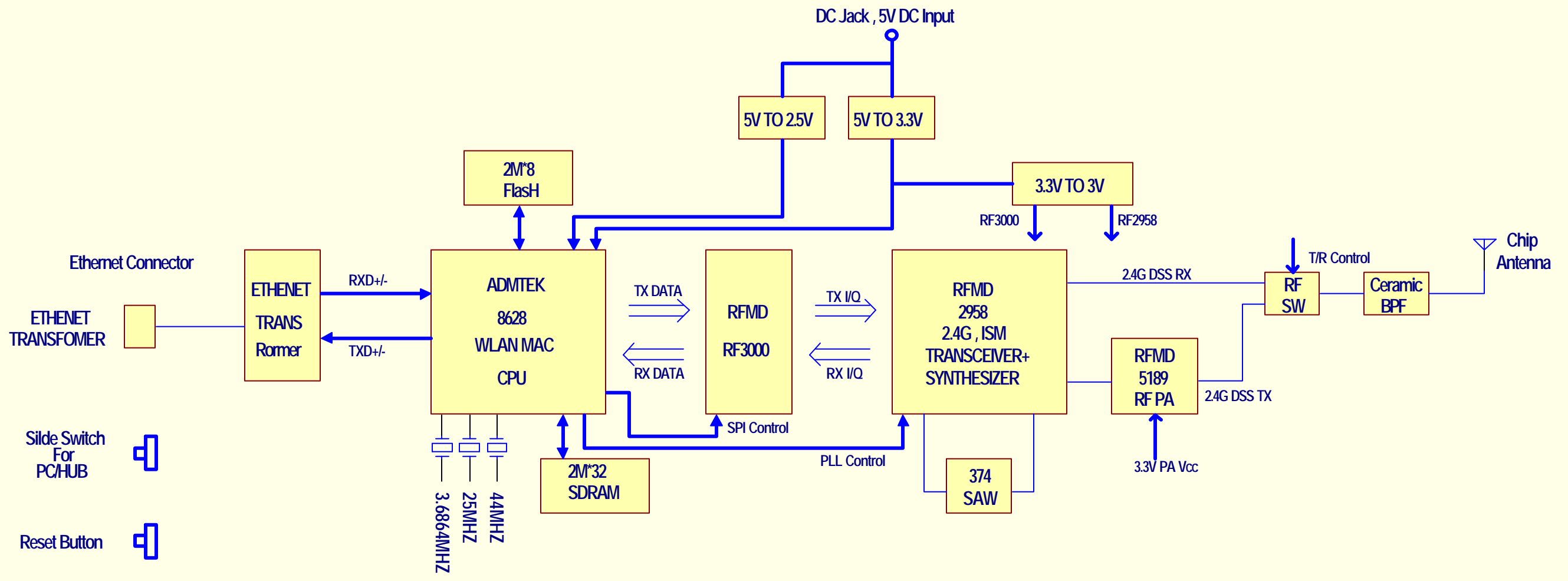


DWL-700AP Block Diagram



- Ethernet Connector
- ETHENET TRANSFORMER
- Slide Switch For PC/HUB
- Reset Button

- LED1 — DC Indication
- LED2 — ETHERNET Link/ACT
- LED3 — WLS Activity

REV	ISSUED	DATE	CHECKED	DATE	APPROVED	DATE
DWG TITLE: DWL-700AP						
DRAWN: doraemon		DATE: 6/2,2003		USED ON		
CHECKED: Wayne-Liu		DATE: 6/2,2003		DWG NO.		
APPROVED: CH		DATE: 6/2,2003				
Size: A	Sheet 1 of 1				方塊圖	